



[Manuals.plus](#) /

> [VIVOHOME](#) /

> VIVOHOME Automatic 80 CFM Bathroom Exhaust Fan User Manual

VIVOHOME VH1666

VIVOHOME Automatic 80 CFM Bathroom Exhaust Fan User Manual

Model: VH1666
Brand: VIVOHOME

1. INTRODUCTION

This manual provides comprehensive instructions for the installation, operation, and maintenance of your VIVOHOME Automatic 80 CFM Bathroom Exhaust Fan with Humidity Sensor. Designed for efficient ventilation, this fan helps maintain a dry and comfortable environment by effectively removing moisture, smoke, and odors from spaces up to 95 square feet. Please read this manual thoroughly before installation and use to ensure proper function and safety.

2. SAFETY INFORMATION

Always adhere to local electrical codes and regulations. Installation should be performed by a qualified electrician if you are not familiar with electrical wiring. Disconnect power at the circuit breaker before installing or servicing the fan. Do not use this fan in areas where flammable or explosive materials are present. Ensure all wiring connections are secure and properly insulated. This product is UL certified for enhanced safety.

3. PACKAGE CONTENTS

- VIVOHOME Automatic 80 CFM Bathroom Exhaust Fan with Humidity Sensor
- Installation Hardware
- User Manual

4. SPECIFICATIONS

Feature	Specification
Brand	VIVOHOME
Model Name	Bathroom Fan (VH1666)

Feature	Specification
Air Flow Capacity	80 Cubic Feet Per Minute (CFM)
Noise Level	1.5 Sones
Coverage Area	80 to 95 Sq.Ft
Power Source	120V/60HZ
Wattage	22 watts
Motor Speed	1160 RPM
Housing Size	7.2 x 7.25 x 6.0 inches
Ceiling Opening Size	7.6 x 7.3 x 6.2 inches
Duct Connector	4 inches
Material	Galvanized Steel Housing, ABS Plastic Panel
Certification	UL Certified

Specifications

- Package Size : 12.4" x 9.6" x 7.9"
- Package Weight : 6.4 lb

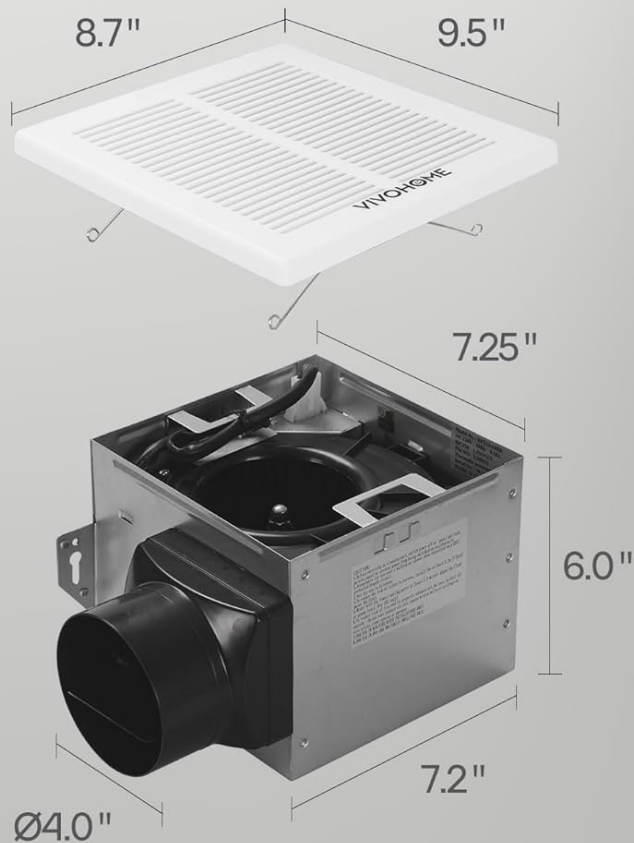


Figure 1: Product Dimensions and Specifications

5. INSTALLATION

The VIVOHOME exhaust fan is designed for easy installation, suitable for both new construction and as a replacement for most standard exhaust fans using existing openings. Attic access is not always needed for installation.

Installation Steps:

1. **Prepare the Opening:** Ensure the ceiling opening size is approximately 7.6 x 7.3 x 6.2 inches.
2. **Mount the Housing:** Secure the galvanized steel housing within the ceiling opening. The design allows for mounting without requiring attic access in many cases.
3. **Connect Ductwork:** Attach the 4-inch duct connector to your existing or new ducting. The fan features a convenient baffle at the air outlet to prevent odor backflow and keep out insects and dust when not in use.
4. **Electrical Wiring:** Connect the fan to your electrical supply (120V/60Hz) following local electrical codes. Ensure all connections are secure.
5. **Install ABS Plastic Panel:** Once the housing and wiring are complete, attach the ABS plastic panel to the fan housing.



Figure 2: Installed Fan View



Figure 3: Internal Components and Baffle Design

Your browser does not support the video tag.

Video 1: VIVOHOME Automatic 80 CFM Bathroom Exhaust Fan Overview. This video demonstrates the fan's features and provides a visual guide to its installation process, including mounting and panel attachment.

6. OPERATING INSTRUCTIONS

The VIVOHOME exhaust fan offers both manual and intelligent humidity sensing operation modes.

Intelligent Humidity Sensing:

The fan is equipped with a humidity sensor that automatically detects the humidity level in the room. When the humidity level reaches 60% or higher, the fan will automatically turn on. It will continue to run until the humidity drops below 60% (with a 6% tolerance, meaning it turns off when humidity is 54% or lower), ensuring optimal air quality and preventing moisture buildup.

LED Indicator Light:

- **Green Light:** Indicates the fan is operating in Humidity Sensing Mode.
- **Red Light:** Indicates the fan is operating in Manual Mode (if applicable, or for initial power-on/testing).



Figure 4: Intelligent Humidity Sensing Operation

Efficient Ventilation



Enough for space up to
80-95 FT²



Moisture



Odor

Quickly absorb impurities to ensure clean air

Figure 5: Efficient Ventilation in Action

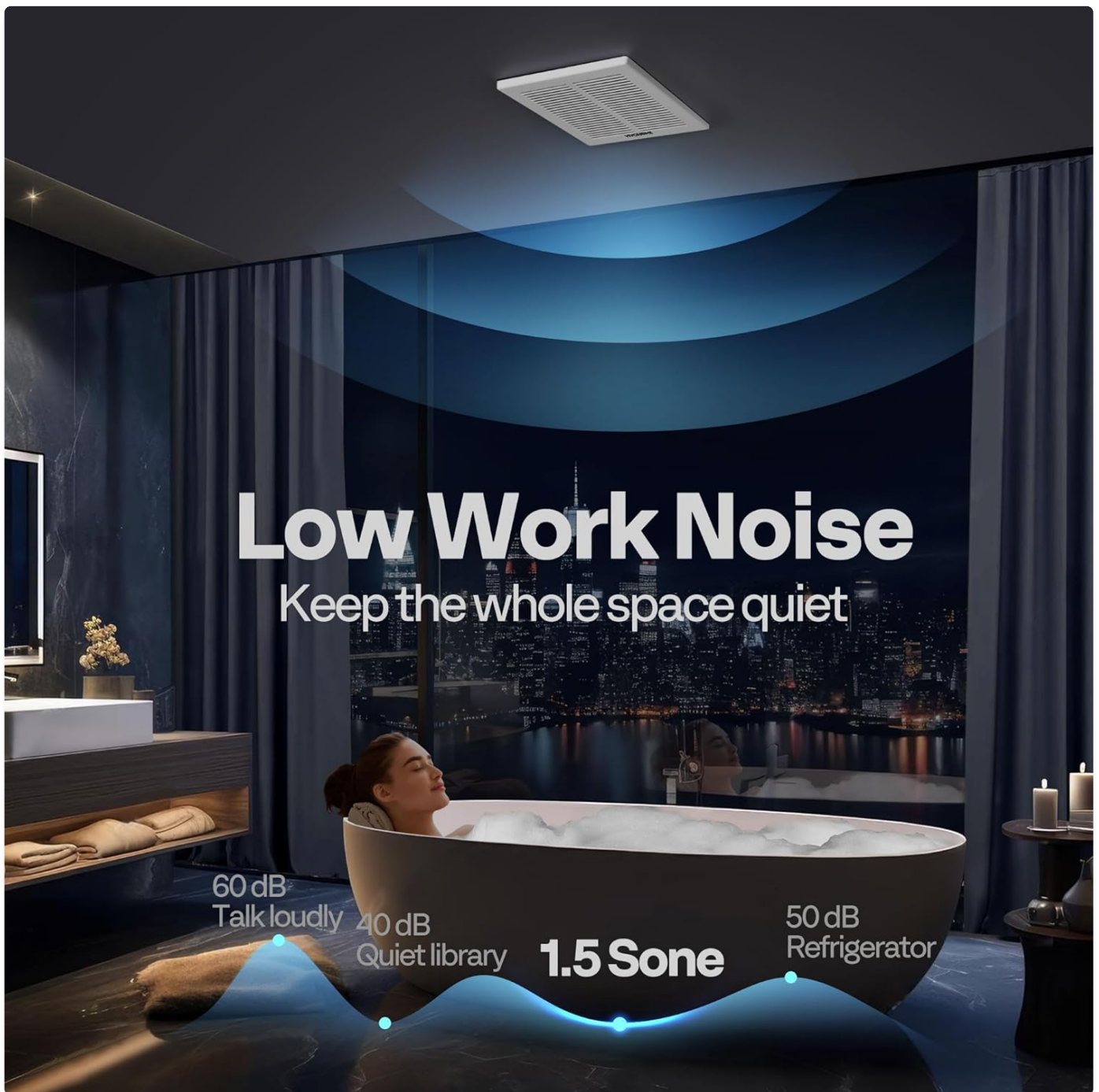


Figure 6: Low Noise Operation

7. MAINTENANCE

Regular maintenance ensures the longevity and optimal performance of your exhaust fan.

Cleaning the Fan:

1. **Disconnect Power:** Always turn off the power to the fan at the circuit breaker before cleaning.
2. **Remove Grille:** Carefully remove the ABS plastic panel (grille) from the fan housing.
3. **Clean Grille:** Wash the grille with mild soap and water. Rinse thoroughly and allow it to dry completely before reattaching.
4. **Clean Fan Interior:** Use a soft cloth or a vacuum cleaner with a brush attachment to gently remove dust and debris from the fan blades and interior housing. Do not use abrasive cleaners or solvents.
5. **Reattach Grille:** Once clean and dry, securely reattach the grille to the fan housing.
6. **Restore Power:** Turn the power back on at the circuit breaker.

8. TROUBLESHOOTING

If you encounter issues with your VIVOHOME exhaust fan, refer to the following common troubleshooting steps:

Problem	Possible Cause	Solution
Fan does not turn on	No power supply	Check circuit breaker and wall switch. Ensure power is connected.
Fan is noisy or vibrating	Loose mounting or debris in fan	Ensure fan is securely mounted. Disconnect power and clean fan blades and housing.
Humidity sensor not activating	Humidity level too low or sensor malfunction	Ensure humidity in the room is above 60%. If problem persists, contact support.
Reduced airflow	Blocked grille or ductwork	Clean the grille and check for obstructions in the ductwork.

If the issue persists after attempting these solutions, please contact VIVOHOME customer support.

9. WARRANTY AND SUPPORT

For warranty information or technical support, please refer to the warranty card included with your product or visit the official VIVOHOME website. You can also reach out to VIVOHOME customer service through the contact information provided on their website for assistance with product inquiries, troubleshooting, or replacement parts.

