

[Manuals.plus](#) /

> [VilroCaz](#) /

> VilroCaz Twin Size Murphy Bed Instruction Manual

VilroCaz Twin Size Murphy Bed

VilroCaz Twin Size Murphy Bed Instruction Manual

Model: Twin Size Murphy Bed

1. INTRODUCTION

This manual provides detailed instructions for the assembly, operation, and maintenance of your VilroCaz Twin Size Murphy Bed. This innovative bed is designed to maximize space in your home by transforming from a stylish accent cabinet into a comfortable twin-size bed. It is an ideal solution for small living spaces, guest rooms, or multi-functional areas.

Please read this manual thoroughly before beginning assembly or operation to ensure safe and correct usage.



Image: The VilroCaz Twin Size Murphy Bed in its folded cabinet configuration.

2. SAFETY INFORMATION

- **Read All Instructions:** Carefully read and understand all assembly and operating instructions before use.
- **Assembly Personnel:** Assembly may require two or more adults. Some steps, particularly those involving heavy components or gas pistons, may be challenging and require careful coordination.
- **Wall Anchoring:** This bed unit **must be securely anchored to a wall** to prevent tipping. Failure to do so can result in serious injury or death.
- **Weight Capacity:** Do not exceed the maximum weight capacity of **1000 pounds (453 kg)**.
- **Folding/Unfolding:** Exercise caution when folding and unfolding the bed to avoid pinching or injury. Keep hands and fingers clear of moving parts.
- **Mattress Compatibility:** Use a mattress with a recommended thickness of 8-10 inches.
- **Regular Checks:** Periodically inspect all fasteners and connections to ensure they remain tight and secure.
- **Children and Pets:** Keep children and pets away from the unit during assembly and operation.

3. SETUP AND ASSEMBLY

Assembly of your VilroCaz Murphy Bed is required. While the product description states that all necessary

tools and a detailed guide are provided, some users have reported challenges with the clarity of instructions and specific components like gas pistons.

3.1 Before You Begin

- **Unpack:** Carefully unpack all components and verify against the parts list provided in your assembly guide.
- **Clear Area:** Ensure you have a large, clear, and level workspace.
- **Tools:** While some tools are provided, having a Phillips head screwdriver, a rubber mallet, and a level may be beneficial.
- **Assistance:** It is strongly recommended to have at least two adults for assembly, and potentially more for certain steps involving lifting or aligning components.

3.2 Assembly Steps

Follow the step-by-step instructions provided in the separate assembly guide included with your product. Pay close attention to diagrams and ensure all parts are correctly oriented before tightening fasteners.

- **Frame Construction:** Assemble the main cabinet frame and bed frame according to the diagrams.
- **Slat Installation:** Securely attach the wooden slats to the bed frame. These slats provide mattress support and eliminate the need for a box spring.
- **Gas Piston/Bearing Wheels:** This step can be challenging. Ensure careful alignment and follow the instructions precisely. If you encounter difficulty, refer to the troubleshooting section or contact customer support.
- **Wall Anchoring:** Once the unit is assembled, it is crucial to anchor it to a sturdy wall using the provided hardware. This prevents the unit from tipping forward when the bed is unfolded or during use.



Image: The bed frame with wooden slats, partially unfolded.

4. OPERATING INSTRUCTIONS

4.1 Unfolding the Bed

1. **Clear Area:** Ensure the area in front of the cabinet is clear of obstructions.
2. **Open Cabinet Doors:** Gently pull open the cabinet doors.
3. **Lower Bed Frame:** Grasp the handle or edge of the bed frame and slowly lower it towards the floor. The gas pistons will assist in a controlled descent.
4. **Extend Legs:** The bed legs are designed to automatically extend as the bed is lowered. Ensure they are fully extended and stable.
5. **Bedding:** The clever design allows for the mattress and sheets to remain within the cabinet when folded, preventing them from falling out.



Image: The VilroCaz Twin Size Murphy Bed fully unfolded and ready for use.

4.2 Folding the Bed

1. **Remove Bedding (Optional):** While the design accommodates bedding, you may remove pillows or thick comforters for easier folding.
2. **Retract Legs:** Gently lift the bed frame. The legs should retract automatically.
3. **Lift Bed Frame:** Slowly lift the bed frame back into the cabinet opening. The gas pistons will assist in lifting. Ensure the bed frame is fully recessed into the cabinet.
4. **Close Cabinet Doors:** Close and secure the cabinet doors.

5. MAINTENANCE

- **Cleaning:** For the engineered wood and metal surfaces, wipe with a soft, damp cloth. Avoid harsh chemicals or abrasive cleaners. For any fabric components (if applicable), follow "Dry Clean Only"

instructions.

- **Hardware Check:** Periodically (e.g., every 3-6 months) check all screws, bolts, and connections to ensure they are tight. Retighten if necessary.
- **Mechanism Inspection:** Inspect the folding mechanism, including gas pistons and bearing wheels, for any signs of wear or damage. If any part appears damaged, discontinue use and contact customer support.
- **Wall Anchors:** Verify that the wall anchors remain secure.

6. TROUBLESHOOTING

Problem	Possible Cause	Solution
Bed does not fold/unfold smoothly.	Misaligned gas pistons or bearing wheels; loose hardware; obstruction.	Check for obstructions. Inspect gas pistons and bearing wheels for correct alignment and installation (refer to assembly guide). Ensure all hardware is tightened. If issues persist, contact customer support.
Bed feels unstable or wobbly.	Loose fasteners; improper wall anchoring.	Retighten all assembly hardware. Verify that the unit is securely anchored to the wall.
Cabinet doors do not close properly.	Bed frame not fully recessed; misaligned hinges.	Ensure the bed frame is completely pushed back into the cabinet. Check door hinges for proper alignment and adjust if necessary.

If you encounter a problem not listed here or if the suggested solutions do not resolve the issue, please contact VilroCaz customer support for assistance.

7. SPECIFICATIONS

SIZE:INCH

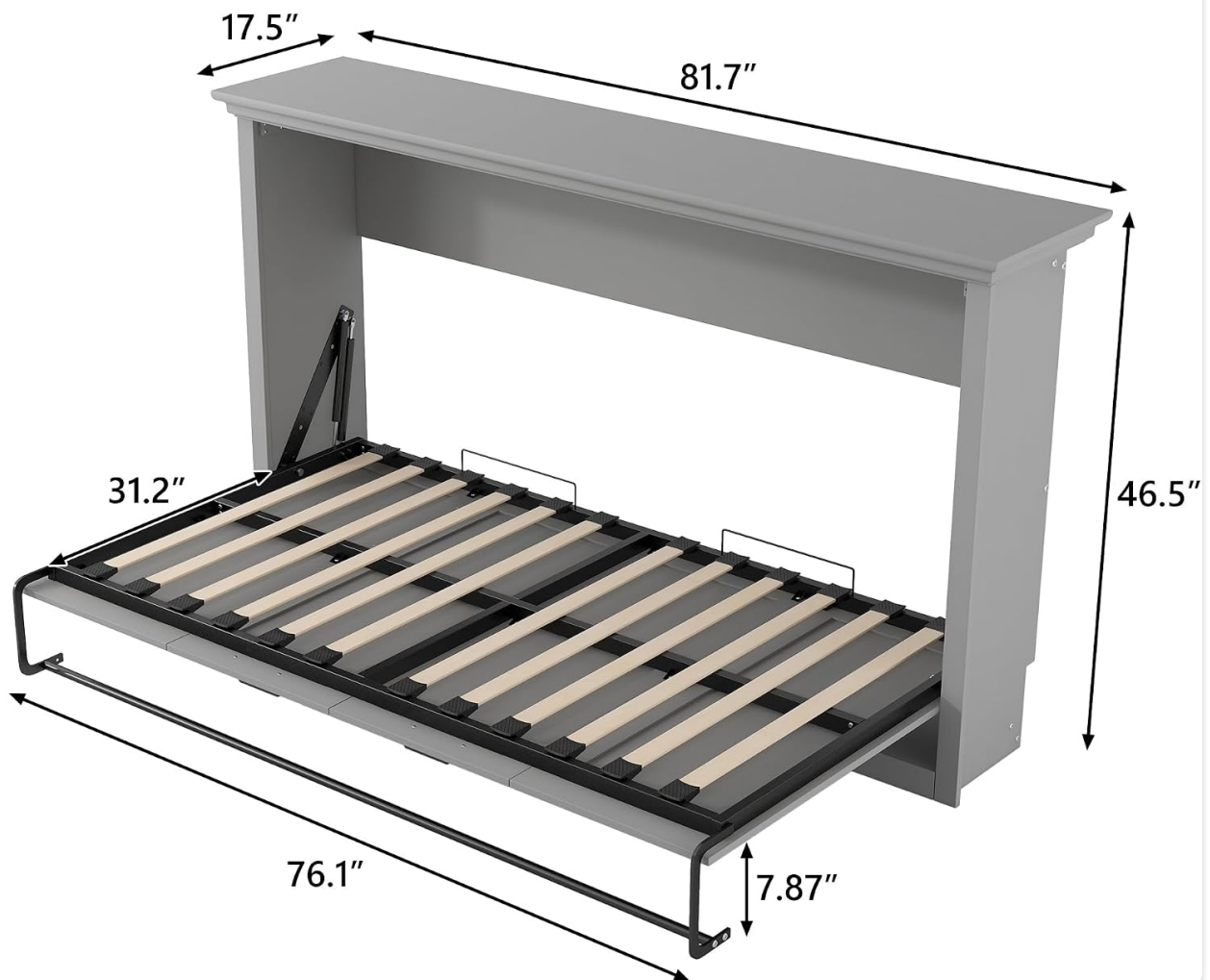


Image: Dimensional diagram of the VilroCaz Twin Size Murphy Bed.

Feature	Detail
Brand	VilroCaz
Model	Twin Size Murphy Bed
Size	Twin
Color (Current Variant)	Gray
Material	Engineered Wood, Metal
Overall Product Dimensions (L x W x H)	81.7" x 48.7" x 46.5"
Recommended Mattress Thickness	8-10 inches
Weight Capacity	1000 lbs (453 kg)
Item Weight	170 lbs (77 kg)
Assembly Required	Yes

Feature	Detail
Spring Box	Not needed

8. WARRANTY INFORMATION

Specific warranty details for the VilroCaz Twin Size Murphy Bed are not provided in this manual. For information regarding product warranty, including coverage duration and terms, please refer to the documentation included with your purchase or contact VilroCaz customer support directly.

9. CUSTOMER SUPPORT

If you have any questions, require assistance with assembly, or need to report a missing or damaged part, please contact VilroCaz customer service. They are available to provide support and address any concerns you may have.

Please have your product model number (Twin Size Murphy Bed) and ASIN (B0DFWKKCNH) ready when contacting support to expedite service.

Contact Information: Refer to the contact details provided in your product packaging or on the official VilroCaz website.