



[Manuals.plus](#) /

› [Bosch](#) /

› Bosch SMV4ECX28E Dishwasher User Manual

Bosch SMV4ECX28E

Bosch SMV4ECX28E Dishwasher User Manual

Model: SMV4ECX28E | Fully Integrated Dishwasher

1. INTRODUCTION AND OVERVIEW

Welcome to the user manual for your new Bosch SMV4ECX28E Series 4 fully integrated dishwasher. This appliance is designed to provide efficient and quiet dishwashing, featuring smart connectivity and flexible loading options. Please read this manual carefully to ensure safe and optimal use of your dishwasher.



Figure 1.1: Bosch SMV4ECX28E Fully Integrated Dishwasher with door open, showcasing the interior racks and control panel.

Key Features:

- **Energy Efficiency Class A:** Designed for low energy and water consumption (54 kWh/100 cycles, 9 liters/cycle).
- **Quiet Operation:** Operates at a low noise level of 42 dB(A), with a Silence program reducing it to 41 dB(A).
- **Flexible Basket System:** Features a VarioSchublade (cutlery drawer) and a height-adjustable upper basket with Rackmatic for versatile loading.
- **Efficient Drying:** Efficient Dry (Eco Drying) technology ensures optimal drying results.
- **Smart Control:** Connects via the Home Connect App for additional functions like HygienePlus and Silence on Demand.
- **AquaStop:** Integrated water protection system to prevent leaks.

2. SETUP AND INSTALLATION

Proper installation is crucial for the performance and longevity of your Bosch dishwasher. This is a fully integrated model, meaning it is designed to be built into your kitchen cabinetry and requires a custom furniture front (not included).

Voll- und teilintegrierte Bosch Geschirrspüler werden **ohne Möbelfront** geliefert.



Figure 2.1: Fully integrated Bosch dishwasher shown without the custom furniture front, which must be supplied separately.

Dimensions and Placement:

The dishwasher dimensions are 55 cm (depth) x 59.8 cm (width) x 81.5 cm (height). Ensure adequate space within your kitchen cabinet for installation. Refer to the technical drawing for detailed measurements and clearances.

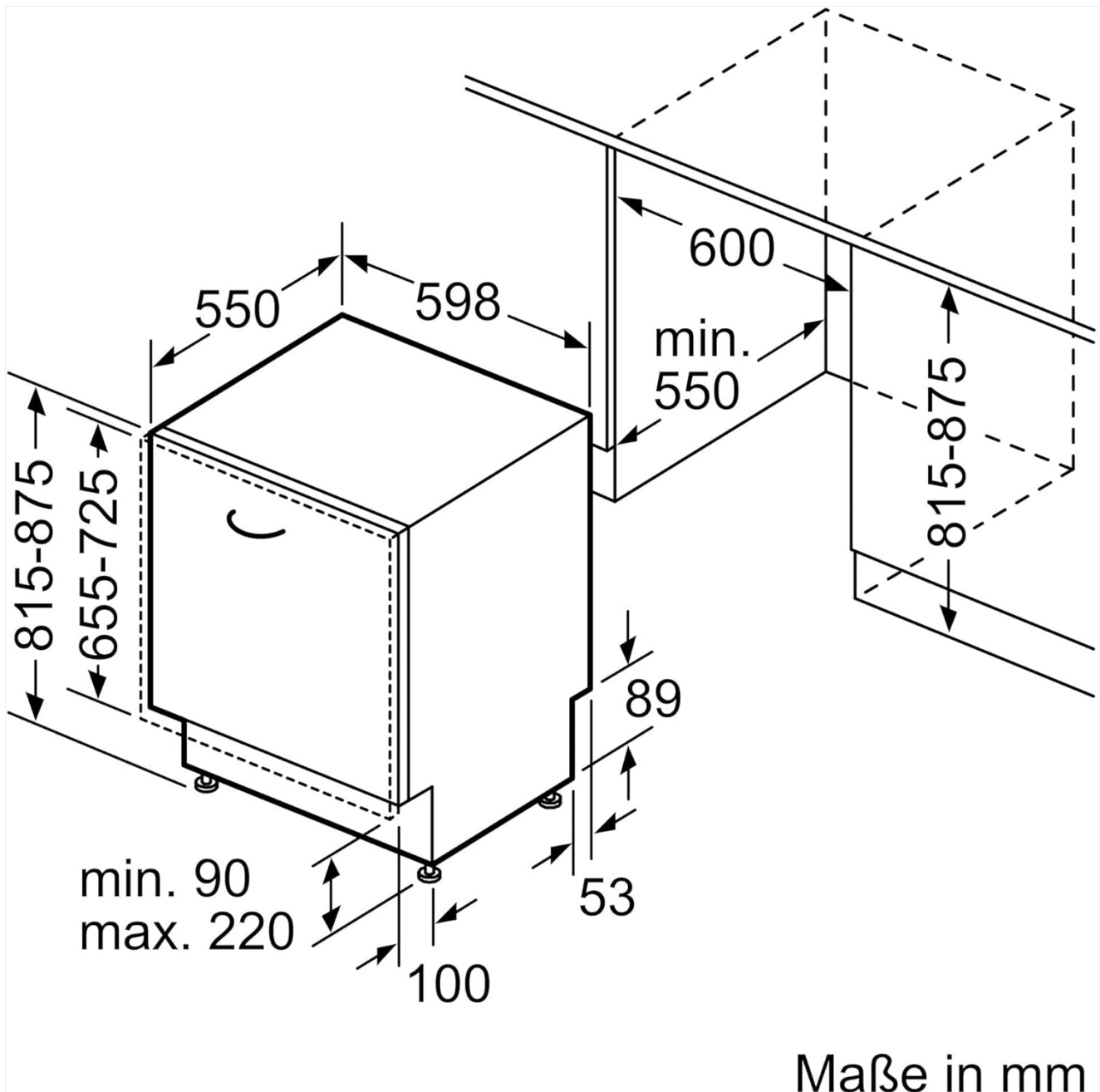
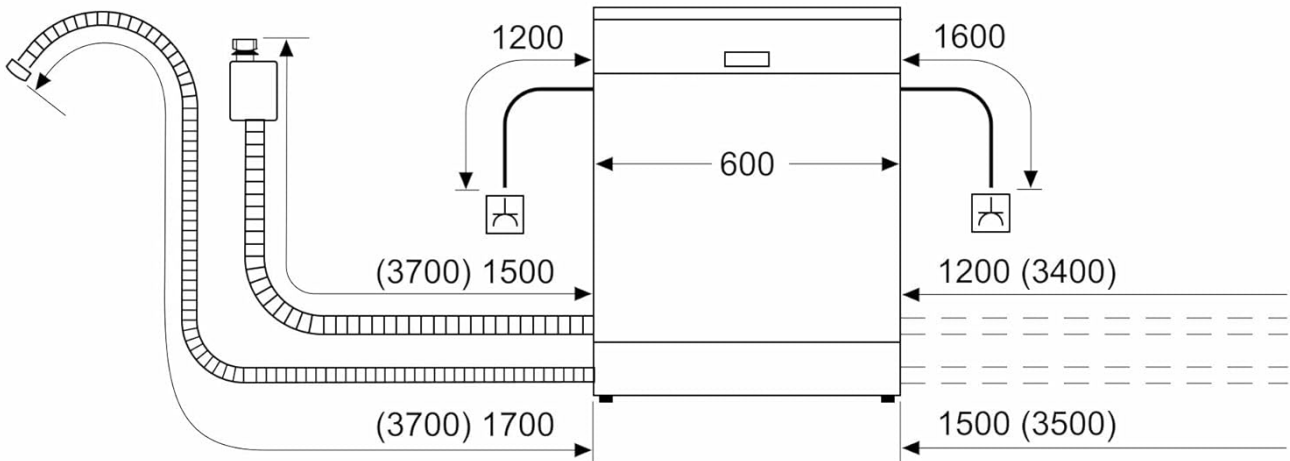


Figure 2.2: Technical drawing illustrating the precise dimensions (in mm) required for installing the Bosch SMV4ECX28E dishwasher into a standard kitchen cabinet.

Water and Electrical Connections:

Connect the dishwasher to a cold water supply using the provided hose. Ensure the drain hose is properly installed to prevent leaks. The appliance requires a 240 Volt electrical connection. It is recommended to have installation performed by a qualified technician.

Maße in mm



⏏ Steckdose

() Werte mit Verlängerungssatz

Figure 2.3: Diagram showing the recommended setup for water inlet, drain, and electrical connections for the dishwasher. Values in parentheses indicate measurements with an extension kit.

Your Bosch dishwasher undergoes thorough testing at the factory, which may result in residual water inside the appliance. This is normal and does not indicate a defect.



Prüfwasser

Dieser Bosch Geschirrspüler wird vor Verlassen unseres Werkes eingehend geprüft, es können daher Wasserreste enthalten sein.



Figure 2.4: An illustration indicating that the dishwasher is tested with water at the factory, and some residual water may be present upon delivery.

3. OPERATING INSTRUCTIONS

Operating your Bosch dishwasher is intuitive. The control panel is located on the top edge of the door and features a text display.

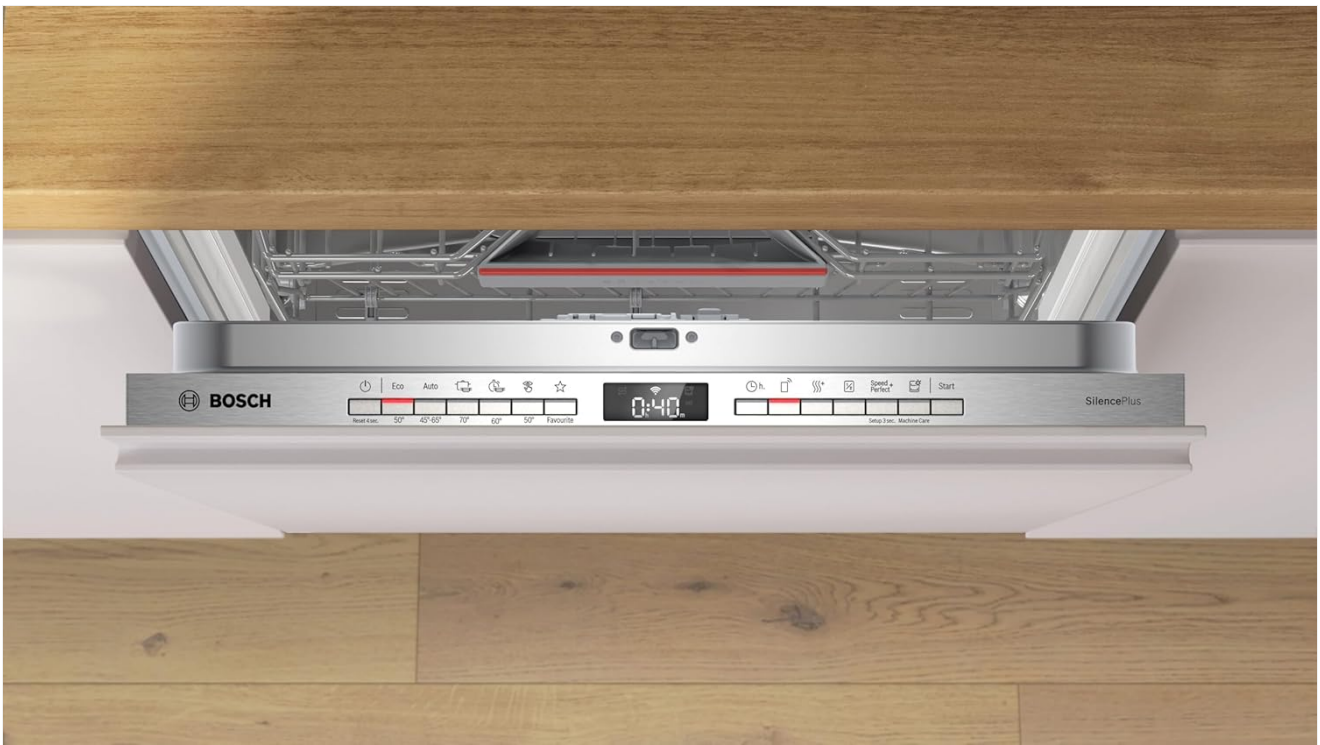


Figure 3.1: Close-up view of the dishwasher's control panel, showing program selection buttons and digital display.

Loading the Dishwasher:

Utilize the flexible basket system for optimal loading. The VarioSchublade provides dedicated space for cutlery, while the Rackmatic system allows you to adjust the height of the upper basket to accommodate larger items.



Figure 3.2: The VarioSchublade, a dedicated third rack for cutlery, ensuring thorough cleaning and drying.

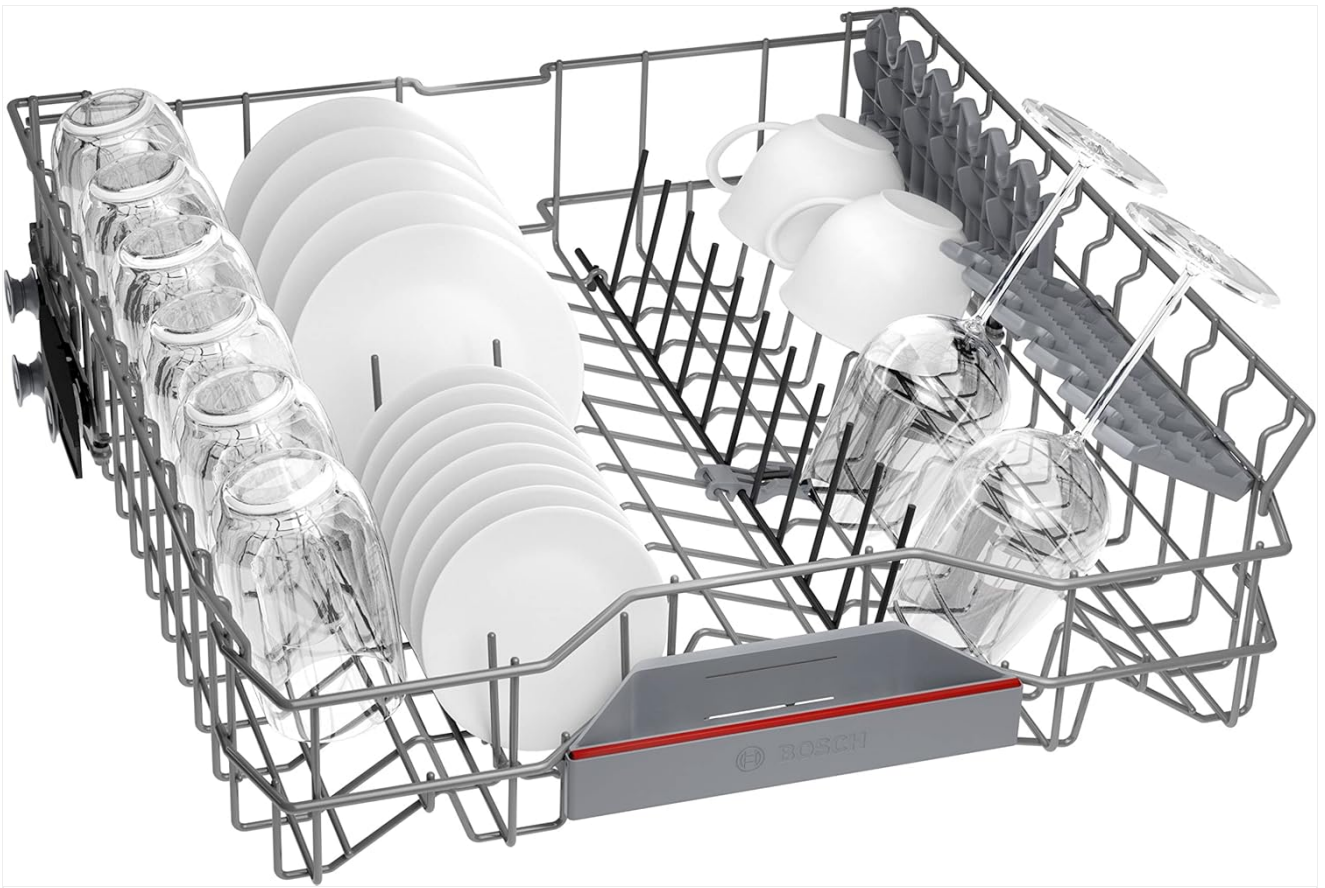


Figure 3.3: The upper basket, designed to hold glasses, cups, and smaller plates, with adjustable tines for flexibility.



Rackmatic

Extraplatz im Geschirrspüler für große
Küchenutensilien.

Figure 3.4: The Rackmatic system, allowing the upper basket to be easily adjusted in height to accommodate taller items in either the upper or lower basket.

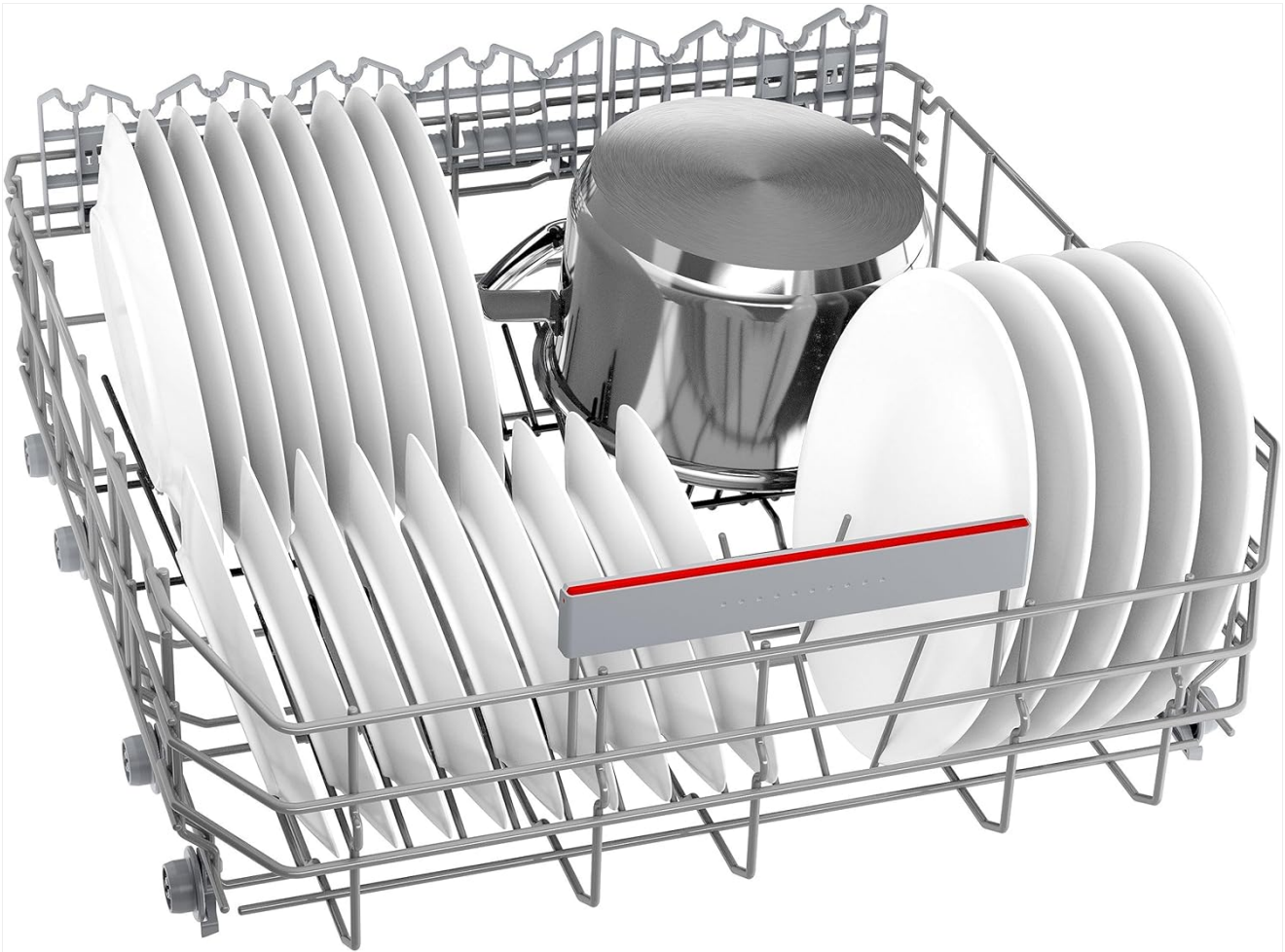


Figure 3.5: The lower basket, ideal for larger plates, pots, and pans, with foldable tines for increased loading flexibility.

Adding Detergent:

Place your dishwasher tablet or powder into the detergent dispenser before starting a cycle.



Figure 3.6: The detergent dispenser, designed to hold dishwasher tablets or powder, ensuring proper release during the wash cycle.

Program Selection:

Select the appropriate wash program based on the soil level and type of dishes. Available programs include:

- **Automatic Program:** Automatically adjusts water consumption, temperature, and rinse time based on soil level.
- **Eco 50 °C:** Energy-efficient program for normally soiled dishes.
- **Intensive 70 °C:** For heavily soiled pots, pans, and dishes.
- **Silence Program:** Reduces noise level for quiet operation.

Additional options like SpeedPerfect Plus (for faster cycles) and Extra Dry (for enhanced drying) can be selected to customize your wash cycle. The Program Assistant helps you choose the best program.

Home Connect App:

Connect your dishwasher to the Home Connect app for remote control, program downloads, and smart features. The app allows you to monitor cycle progress and receive notifications.



Figure 3.7: The Bosch dishwasher seamlessly integrated into a kitchen, highlighting its design and the 'Made in Germany' quality.

During operation, an InfoLight projects a red dot onto the floor to indicate that the dishwasher is running, as the fully integrated design makes it very quiet.



Figure 3.8: The InfoLight feature, a red dot projected onto the floor, indicating that the dishwasher is currently in operation.

4. MAINTENANCE

Regular maintenance ensures the optimal performance and longevity of your dishwasher.

Cleaning the Dishwasher:

- Wipe down the exterior and interior with a damp cloth.
- Clean the spray arms regularly to ensure water jets are not blocked.

- Remove and clean the filter system at the bottom of the dishwasher to prevent food particle buildup.

Refilling Rinse Aid and Salt:

Check the indicator lights on the control panel for rinse aid and salt levels. Refill as needed to ensure optimal cleaning and drying results and to prevent limescale buildup.

AquaStop System:

Your dishwasher is equipped with the AquaStop system, which provides protection against water damage. In case of a leak, the system automatically shuts off the water supply.



Figure 4.1: The AquaStop system, a crucial safety feature that prevents water leaks and potential damage.

5. TROUBLESHOOTING

If you encounter any issues with your dishwasher, please refer to the following common troubleshooting tips before contacting customer service.

Problem	Possible Cause	Solution
---------	----------------	----------

Problem	Possible Cause	Solution
Dishes not clean	Improper loading, clogged spray arms, insufficient detergent, dirty filters.	Reload dishes correctly, clean spray arms and filters, use correct amount of detergent.
Dishes not dry	No rinse aid, selected program without drying option, plastic items.	Refill rinse aid, select a program with drying, use 'Extra Dry' option.
Dishwasher not starting	Door not closed properly, power supply issue, program not selected.	Ensure door is latched, check power connection, select a program and press start.
Unusual noise	Items hitting spray arms, foreign objects in pump, improper installation.	Rearrange dishes, check for foreign objects, ensure proper leveling.

For more detailed troubleshooting or persistent issues, consult the Home Connect app or contact Bosch customer support.

6. SPECIFICATIONS

Detailed technical specifications for the Bosch SMV4ECX28E dishwasher:

Specification	Value
Model Name	SMV4ECX28E
Form Factor	Built-in (Fully Integrated)
Product Dimensions (WxDxH)	59.8 cm x 55 cm x 81.5 cm
Item Weight	35.9 Kilograms
Voltage	240 Volts
Annual Energy Consumption	54 kWh per 100 cycles
Noise Level	42 dB (Silence Program: 41 dB)
Capacity	14 Place Settings
Control Type	Push Button with Text Display
Material	Stainless Steel
Included Components	Flexible baskets, VarioSchublade, height-adjustable upper basket with Rackmatic, comfort rollers in lower basket, cup shelves.

7. WARRANTY AND SUPPORT

Your Bosch SMV4ECX28E dishwasher comes with a manufacturer's warranty. Please refer to the warranty card included with your appliance for specific terms and conditions.

Customer Service:

For technical assistance, spare parts, or service appointments, please contact Bosch customer service. You can

find contact information on the official Bosch website or in your appliance documentation.

Visit the official [Bosch Store on Amazon](#) for more products and information.