

## Manuals+

[Q & A](#) | [Deep Search](#) | [Upload](#)

manuals.plus /

> [YITAHOME](#) /

> [YITAHOME Computer Desk with Storage and Charging Station \(Model AMEU282930\) - User Manual](#)

## YITAHOME AMEU282930

# YITAHOME Computer Desk with Storage and Charging Station

Model: AMEU282930

## 1. INTRODUCTION

Thank you for choosing the YITAHOME Computer Desk. This manual provides essential information for the safe assembly, operation, and maintenance of your new desk. Please read these instructions carefully before beginning assembly and retain them for future reference.

### Safety Information

- Ensure all components are present and undamaged before assembly. Do not proceed with assembly if any parts are missing or broken.
- Assemble the desk on a soft, clean surface to prevent scratches.
- Always use the correct tools as specified.
- Do not overtighten screws, as this may damage the material.
- Keep small parts away from children during assembly.
- Ensure the desk is placed on a level surface to prevent instability.
- Do not overload the desk or shelves beyond their weight capacity.

## 2. PACKAGE CONTENTS

Carefully unpack all items and verify against the list below. If any items are missing or damaged, please contact customer support.

- Desk Panels (Main desktop, monitor stand, storage unit panels)
- Metal Frame Components
- 4 Storage Drawers (Fabric or similar material)
- Integrated Charging Station (2 AC outlets, 2 USB ports)
- LED Light Strips
- Assembly Hardware (Screws, bolts, connectors, etc.)

### 3. ASSEMBLY INSTRUCTIONS

Assembly of the YITAHOME Computer Desk typically requires a screwdriver. Follow the numbered steps provided in the included assembly guide. The desk features a reversible design, allowing the storage unit to be installed on either the left or right side to suit your room layout.

## CONCEPTION RÉVERSIBLE

Installation personnalisable pour l'aménagement de la pièce

Monture à gauche



Monture à droite



**Figure 3.1: Reversible Design.** This image demonstrates the reversible design of the YITAHOME Computer Desk, showing two configurations: one with the storage unit on the left and another with the storage unit on the right. This illustrates the flexibility for room layout.

#### General Assembly Steps:

1. **Unpack and Identify Parts:** Lay out all components and hardware. Refer to the parts list in your separate assembly guide to identify each piece.
2. **Assemble the Frame:** Connect the metal frame components according to the diagrams, ensuring all connections are secure but not overtightened initially.

3. **Attach Desk Panels:** Secure the main desktop and monitor stand to the assembled frame.
4. **Install Storage Unit:** Decide on the desired orientation (left or right) for the storage unit. Assemble the storage unit frame and attach it to the main desk structure.
5. **Insert Drawers:** Place the four storage drawers into their designated compartments within the storage unit.
6. **Install Charging Station and LED Lights:** Integrate the charging station and LED light strips into their pre-designed locations on the desk. Ensure all electrical connections are secure.
7. **Final Tightening:** Once all components are in place and aligned, carefully tighten all screws and bolts.



**Figure 3.2: Assembled Desk.** This image shows the assembled YITAHOME Computer Desk in a home office setting, featuring a monitor, keyboard, and various office accessories. The desk includes a monitor stand, integrated charging station, and a side storage unit with drawers.

## 4. OPERATING INSTRUCTIONS

### 4.1. Multifunctional Charging Station

The desk is equipped with an integrated charging station for your convenience. It includes:

- **2 AC Power Outlets:** For plugging in devices such as monitors, laptops, or lamps.
- **2 USB Ports:** For charging smartphones, tablets, and other USB-powered devices.

To use, simply plug the desk's main power cord into a wall outlet. Then, connect your electronic devices to the available AC outlets or USB ports on the charging station.



**Figure 4.1: Integrated Features.** This detailed view of the YITAHOME Computer Desk's features highlights the integrated charging station with two power outlets and two USB ports, four large storage drawers, a dedicated PC tower stand, and the LED light strip.

## 4.2. Smart LED Strip Lights

The integrated LED strip lights enhance your workspace ambiance. Connect the LED lights to a power source (often via a USB port on the charging station or a separate adapter) and use the included controller (if applicable) to adjust colors, brightness, and lighting modes.



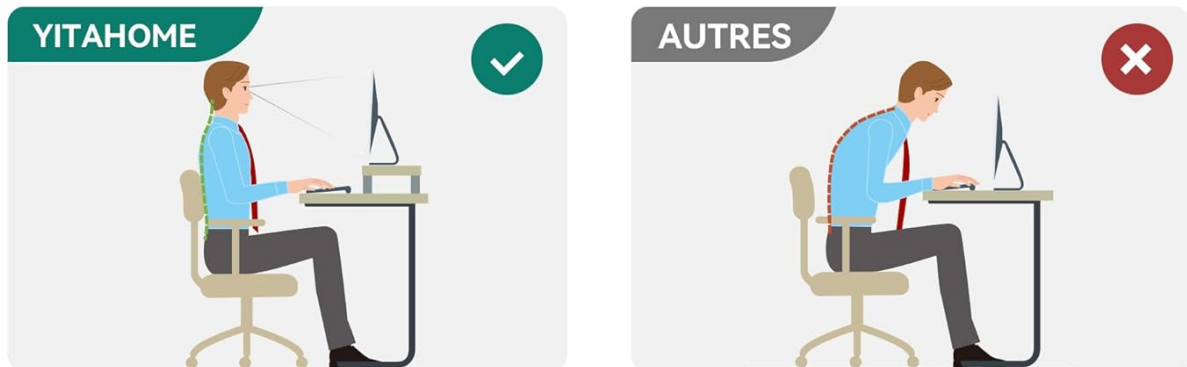
**Figure 4.2: LED Lighting.** This image shows the YITAHOME Computer Desk with its LED strip lights illuminated, showcasing a vibrant workspace. The desk is set up with a computer monitor, keyboard, and a PC tower on a dedicated stand, highlighting the integrated lighting feature.

### 4.3. Monitor Stand

The elevated monitor stand is designed to improve ergonomic posture by raising your monitor to a more comfortable viewing height, reducing strain on your neck and eyes. Place your monitor directly on the stand.



## SUPPORT D'ÉCRAN PORTABLE



**Figure 4.3: Ergonomic Monitor Stand.** This comparison image demonstrates proper ergonomic posture with the YITAHOME monitor stand versus incorrect posture without a monitor stand. The image highlights how the elevated monitor stand helps maintain a healthy neck and back alignment.

### 4.4. Storage Drawers

The four integrated drawers provide ample storage for books, documents, office supplies, and other essentials, helping to keep your workspace organized and clutter-free.

## 5. MAINTENANCE

### 5.1. Cleaning

- Wipe the desk surfaces with a soft, damp cloth. Avoid abrasive cleaners or harsh chemicals that could damage the finish.
- For the fabric drawers, spot clean with a mild detergent and water, then air dry.
- Ensure the charging station and LED lights are unplugged before cleaning.

### 5.2. General Care

- Periodically check all screws and connections to ensure they remain tight. Retighten if necessary.
- Avoid placing hot items directly on the desk surface without protection.
- Keep the desk away from direct sunlight and excessive moisture to prevent material degradation.

## 6. TROUBLESHOOTING

### 6.1. Desk Instability

- **Issue:** The desk wobbles or feels unstable.
- **Solution:** Ensure all assembly screws are securely tightened. Verify that the desk is placed on a level surface. Adjust any leveling feet if present.

### 6.2. Charging Station Not Working

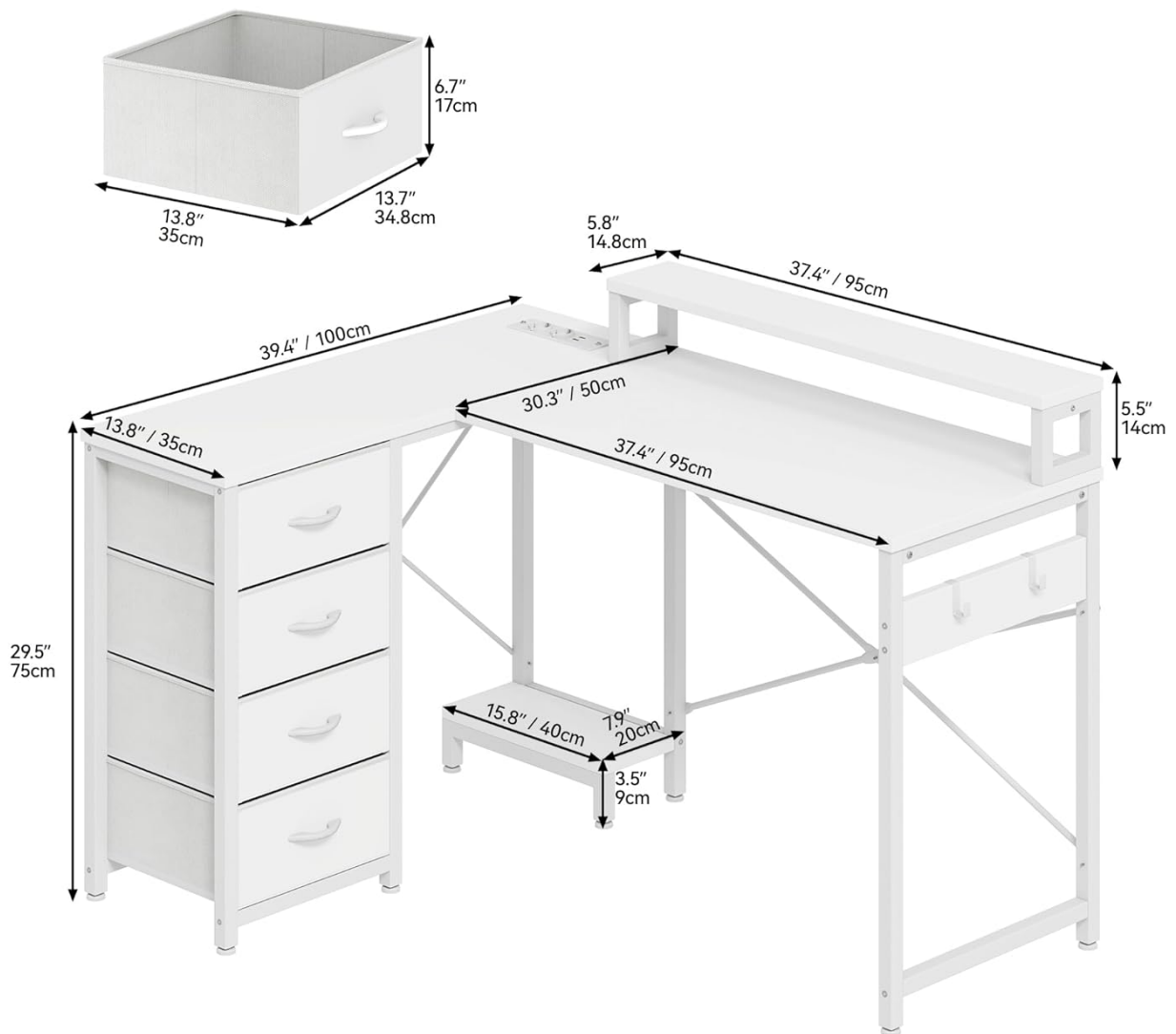
- **Issue:** AC outlets or USB ports are not providing power.
- **Solution:** Check if the desk's main power cord is securely plugged into a functional wall outlet. Test the wall outlet with another device. Ensure the charging station's internal connections are secure (refer to assembly steps).

### 6.3. LED Lights Not Illuminating

- **Issue:** LED strip lights do not turn on.
- **Solution:** Verify that the LED lights are properly connected to their power source (e.g., USB port). Check the controller (if applicable) to ensure it is turned on and set to a visible brightness/color.

## 7. SPECIFICATIONS

Below are the key specifications for the YITAHOME Computer Desk (Model AMEU282930):



**Figure 7.1: Product Dimensions.** This diagram illustrates the dimensions of the YITAHOME Computer Desk, including overall length, width, height, and specific measurements for the monitor stand, storage shelves, and legroom. All measurements are provided in both inches and centimeters.

- **Brand:** YITAHOME
- **Model Number:** AMEU282930
- **Product Dimensions:** 130D x 100W x 75H Centimeters (51.2D x 39.4W x 29.5H Inches)
- **Color:** White
- **Style:** Modern
- **Base Material:** Metal
- **Top Material Type:** Wood (Engineered Wood)
- **Finish Type:** Wood
- **Special Features:** Multifunctional Charging Station (2 AC outlets, 2 USB ports), LED Lighting, Monitor Stand, 4 Storage Drawers
- **Number of Drawers:** 4
- **Recommended Uses:** Working, Studying
- **Item Weight:** 21.8 Kilograms (approx. 48.06 lbs)

- **Assembly Required:** Yes (Basic tools like a screwdriver recommended)
- **Included Components:** Built-in socket, built-in USB port, LED light strips

## 8. WARRANTY AND SUPPORT

For warranty information, product support, or to report missing/damaged parts, please contact YITAHOME customer service. Refer to the contact details provided with your purchase documentation or visit the official YITAHOME website.