

[Manuals.plus](#) /

> [ONETIGRIS](#) /

> OneTigris COMETA Camping Tent + OneTigris Ultralight Backpacking Table User Manual

ONETIGRIS COMETA Tent, Ultralight Table

OneTigris COMETA Camping Tent & Ultralight Backpacking Table User Manual

Model: COMETA Tent, Ultralight Table

INTRODUCTION

This manual provides detailed instructions for the proper setup, operation, maintenance, and troubleshooting of your OneTigris COMETA Camping Tent and OneTigris Ultralight Backpacking Table. Please read this manual thoroughly before use to ensure safe and optimal performance of your products.



Image: The OneTigris COMETA Camping Tent and the OneTigris Ultralight Backpacking Table, shown together as a complete camping setup.

SAFETY INFORMATION

- Always set up tents and tables on level ground, clear of sharp objects and debris.
- Keep all flame and heat sources away from tent fabric. Tent fabric is not fireproof.
- Do not use the tent in extreme weather conditions (e.g., severe thunderstorms, high winds, heavy snow) unless specifically designed for such conditions.
- Ensure all tent poles are securely connected and stakes are firmly anchored to prevent collapse.
- Do not exceed the maximum load capacity of the backpacking table (30kg).

- Supervise children around camping equipment.
- Store products in a dry, well-ventilated area when not in use.

SETUP INSTRUCTIONS

OneTigris COMETA Camping Tent Setup

1. **Unpack Components:** Remove the tent, poles, stakes, and guy-lines from the carry bag. Lay out the tent body on a clean, flat surface.

The diagram illustrates the OneTigris COMETA Camping Tent setup. It includes a perspective view of the tent with dimensions: a height of 4.26ft/130cm, a front width of 5.9ft/180cm, and a total length of 13.8ft/420cm. Below this are two technical drawings: a side view showing a height of 4.26ft/130cm and a base divided into three sections of 3.94ft/120cm, 5.9ft/180cm, and 3.94ft/120cm; and a top view showing a total length of 13.8ft/420cm, a front width of 7ft/215cm, a front depth of 3.28ft/100cm, and a rear depth of 3.2ft/98cm.

Packed Size
 7.9"/20cm
 19.7"/50cm

Package Includes

- Tent Stake *14
- Guy-line *6
- Tent Pole *1 set

Capacity: 2 person

Item Weight: 8.8lbs/ 4kg Package Weight: 9.26lbs/ 4.2kg

Image: Diagram showing the tent's dimensions, packed size, and included components: tent stakes (14), guy-lines (6), and tent pole set (1).

2. **Assemble Poles:** Connect the tent pole sections. The COMETA tent typically uses a single main pole set for its structure.
3. **Insert Poles:** Slide the assembled poles through the designated sleeves or attach them to the clips on the tent body.
4. **Raise Tent:** Lift the tent structure and secure the pole ends into the grommets or pin-and-ring systems at the tent's base.

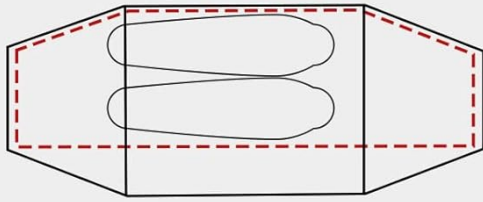
5. **Stake Down:** Secure the tent corners and all guy-line points with the provided stakes. Ensure the tent is taut to withstand wind.



Image: The OneTigris COMETA Camping Tent fully erected, showcasing its unique shape and vestibule areas.

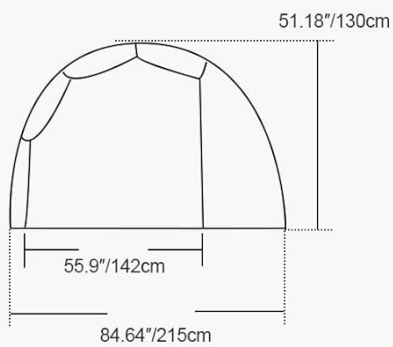
6. **Adjust Guy-lines:** Adjust the tension of the guy-lines to stabilize the tent and prevent sagging.
7. **Inner Tent/Flysheet:** If applicable, attach the inner tent or ensure the flysheet is properly draped and secured for weather protection.

sleeping area



Double Layer Opening:

Breathable Fabric + Mesh



A Side Door,

easy entrance & excellent ventilation



Image: Views of the tent's interior, highlighting the double-layer opening (breathable fabric + mesh) and a side door for easy access and ventilation.

OneTigris Ultralight Backpacking Table Setup

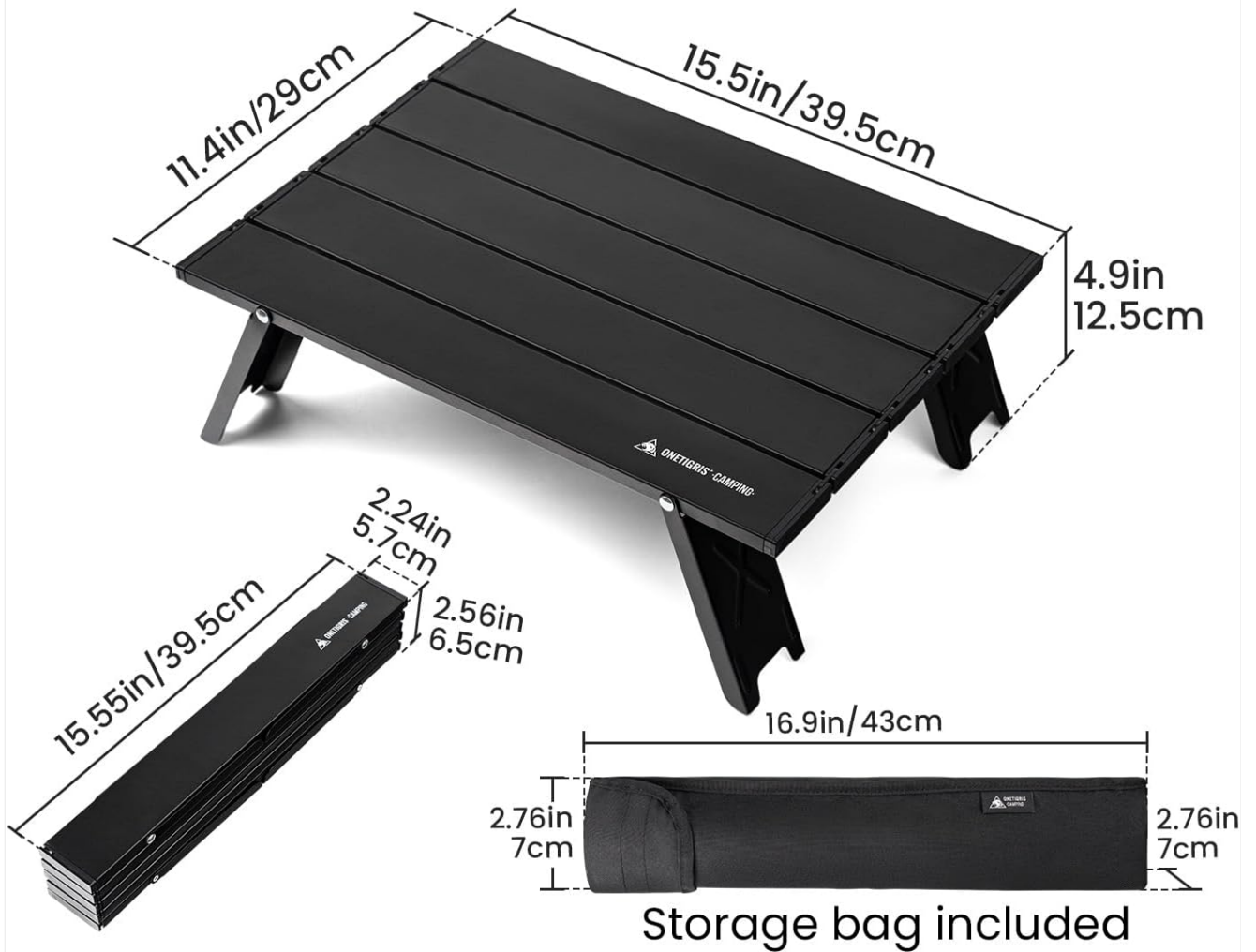
1. **Unfold Legs:** Remove the table from its storage bag. Unfold the legs from beneath the tabletop.



Image: The OneTigris Ultralight Backpacking Table in its unfolded state, alongside its compact carry bag.

2. **Lock Legs:** Ensure the legs are fully extended and locked into place for stability.

Product Size



Weight

 20.5oz/ 580g

Material


 Aluminum alloy

Image: Detailed dimensions of the OneTigris Ultralight Backpacking Table, showing its compact size when folded and unfolded, and its lightweight design.

3. **Place on Surface:** Place the table on a flat, stable surface before placing any items on it.

OPERATING INSTRUCTIONS

OneTigris COMETA Camping Tent Operation

- **Entry and Exit:** Use the zippered doors for entry and exit. Ensure zippers are fully closed to prevent insects or weather intrusion.
- **Ventilation:** Utilize the mesh windows and side door for airflow to reduce condensation and maintain comfort.
- **Storage:** Use internal pockets or loops for organizing small items.



Image: The OneTigris COMETA Camping Tent set up in a natural outdoor environment, demonstrating its use as part of a complete camping setup.

OneTigris Ultralight Backpacking Table Operation

- **Load Capacity:** The table is designed to support up to 30kg (66 lbs). Do not exceed this weight limit to prevent damage or collapse.



Excellent
stability 



Load capacity
up to **30kg**

Image: The OneTigris Ultralight Backpacking Table demonstrating its excellent stability and highlighting its load capacity of up to 30kg.

- **Versatile Use:** Ideal for holding cooking equipment, food, drinks, or other small items during camping or backpacking trips.



Image: The OneTigris Ultralight Backpacking Table in use, supporting a camping stove and a mug on an outdoor surface.

MAINTENANCE

- **Cleaning:**
 - **Tent:** Clean the tent fabric with a soft brush or sponge and mild soap (non-detergent) and lukewarm water. Rinse thoroughly. Do not machine wash or use harsh chemicals.
 - **Table:** Wipe the table surface with a damp cloth. For stubborn dirt, use mild soap and water.
- **Drying:** Always ensure both the tent and table are completely dry before packing away to prevent mildew and corrosion. Air dry in a shaded, well-ventilated area.
- **Storage:** Store the tent and table in their respective carry bags in a cool, dry place, away from direct sunlight and extreme temperatures.
- **Pole Care:** Inspect tent poles for bends or cracks before and after each use. Clean any dirt from pole sections.
- **Zipper Care:** Keep tent zippers clean and lubricated with a silicone-based lubricant if they become stiff.

TROUBLESHOOTING

- **Tent Leaks:** Ensure all zippers are fully closed. Check for small punctures or seam issues. Apply seam sealer if necessary. Ensure the rainfly is properly tensioned and positioned.
- **Condensation Inside Tent:** Increase ventilation by opening vents or partially unzipping doors (with mesh closed). Ensure proper airflow.
- **Tent Instability:** Re-check all stakes and guy-lines. Ensure they are taut and securely anchored. Adjust pole tension if needed.
- **Table Wobbles:** Ensure the table legs are fully extended and locked into place. Verify the table is on a flat, stable surface.
- **Stiff Zippers:** Clean zippers of any dirt or debris. Apply a small amount of silicone-based zipper lubricant.

SPECIFICATIONS

OneTigris COMETA Camping Tent

Feature	Detail
Brand	ONETIGRIS
Recommended Uses	Backpacking
Occupancy	1-2 Person
Seasons	4 Season
Included Components	Carry Bag, Stakes
Water Resistance Technology	2000 mm
Special Feature	Ultralight
Design	Camping Tent
Material	Nylon, Polyester
Pole Material Type	Aluminum
Tent Floor Material	Silnylon, Polyurethane-coated Nylon
Rainfly Material	Nylon
Assembly Required	Yes
Product Care Instructions	Hand Wash

OneTigris Ultralight Backpacking Table

Feature	Detail
Brand	ONETIGRIS
Material	Aluminum Alloy
Weight	20.5oz / 580g
Load Capacity	Up to 30kg
Dimensions (Unfolded)	Approx. 15.5in x 11.4in x 4.9in (39.5cm x 29cm x 12.5cm)
Dimensions (Packed)	Approx. 16.9in x 2.76in x 2.76in (43cm x 7cm x 7cm)

WARRANTY AND SUPPORT

OneTigris products are manufactured to high quality standards. For specific warranty information, please refer to the warranty card included with your product or visit the official OneTigris website. For technical support or assistance, please contact OneTigris customer service through their official channels.

You can visit the [OneTigris Store on Amazon](#) for more information and contact options.

