

## Manuals+

[Q & A](#) | [Deep Search](#) | [Upload](#)

[manuals.plus](#) /

› [Brabrety](#) /

› [Brabrety Multi-Functional Twin Daybed with Drawers and Trundle Instruction Manual](#)

## Brabrety Daybed

# Brabrety Multi-Functional Twin Daybed with Drawers and Trundle Instruction Manual

## INTRODUCTION

---

Thank you for purchasing the Brabrety Multi-Functional Twin Daybed. This daybed is designed to provide versatile functionality, including a pull-out trundle, integrated storage drawers, headboard storage, and a convenient USB charging station. This manual provides essential information for the safe assembly, operation, and maintenance of your new daybed. Please read all instructions carefully before beginning assembly and retain this manual for future reference.

## SAFETY INFORMATION

---

### Important Safety Instructions:

- Always follow the assembly instructions carefully to avoid injury.
- Do not exceed the maximum weight capacity of 250 lbs for the bed and trundle.
- To clean, wipe with a dry cloth only.
- Keep away from heat sources and sharp objects to prevent damage.
- Ensure all connections are securely fastened before use. Periodically check and tighten all bolts and screws.
- Do not allow children to play on or around the daybed without supervision.

## PACKAGE CONTENTS

---

Before assembly, please ensure all parts are present and undamaged. If any parts are missing or damaged, do not proceed with assembly. Contact customer support immediately.

- Daybed Frame Components (Headboard, Footboard, Side Rails)
- Trundle Bed Frame Components
- Storage Drawers (2 units)
- Bed Slats (10 for main bed, 7 for trundle)
- Hardware Pack (screws, bolts, nuts, Allen wrench)

- USB Charging Station Unit
- Assembly Instruction Manual

## SIZE:INCH

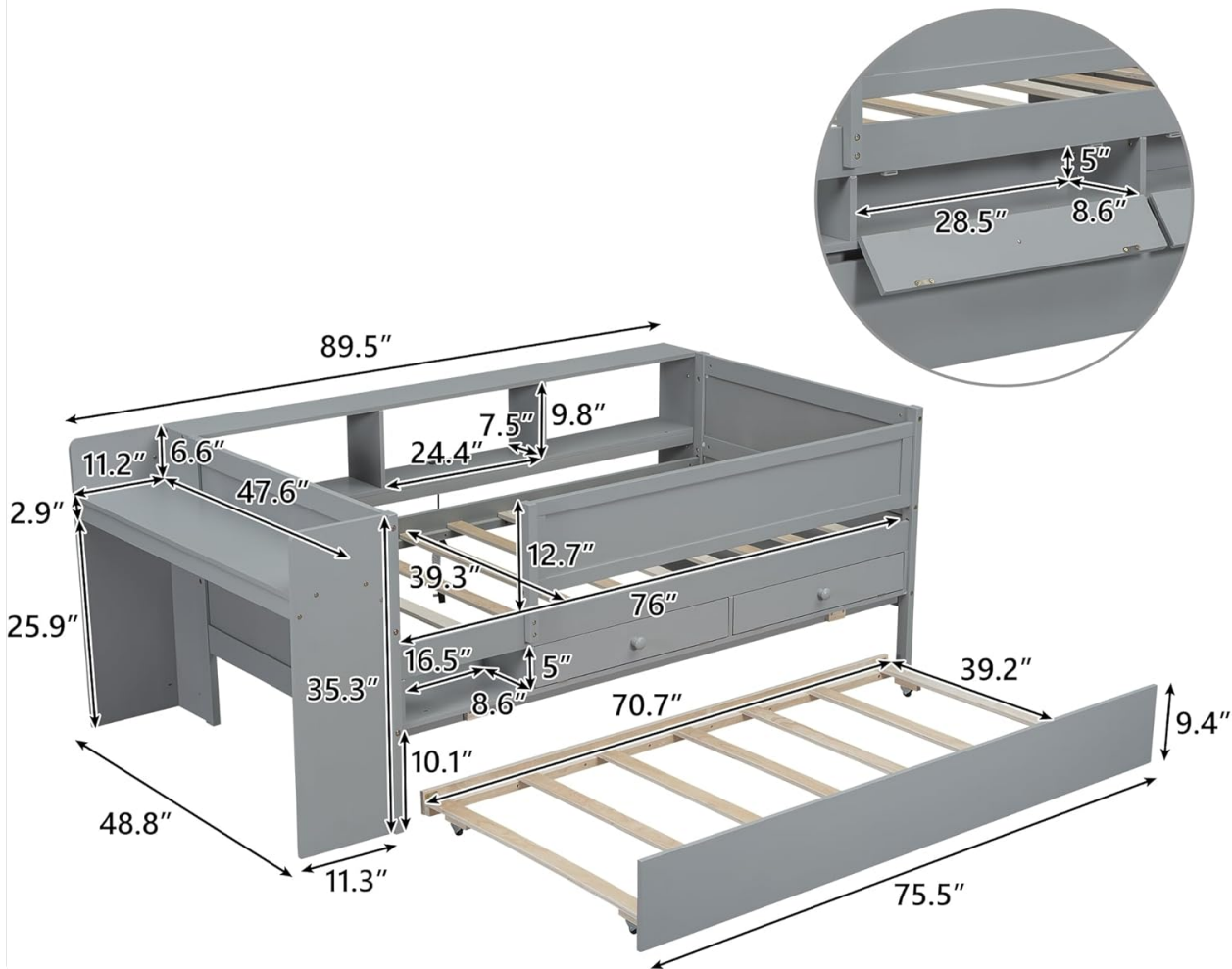


Figure 1: Detailed dimensions and components of the Brabrety Twin Daybed. This diagram illustrates the overall length, width, and height, as well as the dimensions of the integrated desk, headboard storage, and trundle bed.

### SETUP AND ASSEMBLY

Assembly of the Brabrety Twin Daybed is required. Please follow the included full instructions carefully to ensure correct and safe assembly. It is recommended to have two people for assembly.

1. **Unpack and Identify Parts:** Lay out all components on a clean, soft surface (like a carpet) to prevent scratches. Compare all parts with the parts list in the separate assembly guide.
2. **Assemble Main Bed Frame:** Attach the headboard and footboard to the side rails using the provided hardware. Do not fully tighten screws until all major components are aligned.
3. **Install Bed Slats:** Securely attach the main bed slats to the side rails. Ensure even spacing and firm attachment for mattress support.
4. **Assemble Trundle Bed:** Construct the trundle frame and install its slats according to the instructions.
5. **Install Drawers:** Assemble the two storage drawers and insert them into their designated slots beneath the main bed.
6. **Connect USB Charging Station:** Integrate the USB charging station into the headboard as indicated in the assembly guide. Ensure the power cable is routed safely.
7. **Final Tightening:** Once all components are in place and aligned, fully tighten all screws and bolts.



Figure 2: Side view of the daybed frame during assembly, showing the structural components before mattress placement.



Figure 3: Top-down view of the daybed frame, illustrating the slat placement and the location of the USB charging port.

## OPERATING INSTRUCTIONS

---

### Using the Trundle Bed

The trundle bed is designed to slide out from underneath the main daybed, providing an additional sleeping surface. To use, gently pull the trundle handle outwards until it fully extends. To store, push the trundle back underneath the main bed until it is flush.



Figure 4: The daybed with its trundle fully extended, ready for use as an additional sleeping area.

### Using the Storage Drawers

The daybed includes two integrated storage drawers for organizing belongings. To open, pull the drawer handles. To close, push the drawers back into the frame until they are fully seated.



Figure 5: Close-up of the storage drawers and the trundle unit, showing their integrated design.

## Using the USB Charging Station

The headboard features a built-in USB charging station. Connect the daybed's power cord to a standard wall outlet. You can then plug your USB-compatible devices into the charging ports to charge them.



Figure 6: Detailed view of the USB charging station, showing the ports for device connectivity.

## MAINTENANCE

---

To ensure the longevity and appearance of your daybed, follow these maintenance guidelines:

- **Cleaning:** Wipe the surfaces with a dry, soft cloth. Avoid using harsh chemicals, abrasive cleaners, or wet cloths, as these may damage the finish.
- **Hardware Check:** Periodically inspect all bolts, screws, and connections to ensure they remain tight. Re-tighten as necessary to maintain structural integrity.
- **Avoid Excessive Weight:** Do not place excessive weight on the bed or trundle beyond the specified weight capacity (250 lbs for each).
- **Protect from Elements:** Keep the daybed away from direct sunlight, extreme temperatures, and high

humidity to prevent warping or fading.

## TROUBLESHOOTING

---

If you encounter any issues with your daybed, refer to the following common troubleshooting tips:

- **Wobbly Frame:** Check all bolts and screws. If any are loose, tighten them securely. Ensure the daybed is placed on a level surface.
- **Trundle Not Sliding Smoothly:** Check for any obstructions underneath the bed or in the trundle's tracks. Ensure the wheels are clean and free of debris.
- **Drawers Sticking:** Verify that the drawer slides are properly aligned and free of obstructions. Ensure the drawers are not overloaded.
- **USB Charging Station Not Working:** Ensure the daybed's power cord is securely plugged into a functional wall outlet. Check if the device being charged is properly connected to the USB port. Try a different USB cable or device to isolate the issue.
- **Missing Parts:** If you discover missing parts during assembly, do not attempt to substitute them. Contact customer support for replacements.

## SPECIFICATIONS

---

<b>Material</b>	Pine wood + MDF
<b>Size</b>	Twin
<b>Color</b>	Gray
<b>Overall Product Dimension</b>	89.5"L x 48.8"W x 35.3"H
<b>Main Bed Dimension</b>	76" x 39.3"
<b>Trundle Dimension</b>	75.5" x 70.7"
<b>Overall Product Weight</b>	160 lbs
<b>Bed Weight Capacity</b>	250 lbs
<b>Trundle Weight Capacity</b>	250 lbs
<b>Recommended Mattress Thickness (Bed)</b>	6"
<b>Recommended Mattress Thickness (Trundle)</b>	6"
<b>Number of Slats (Bed/Trundle)</b>	10 / 7
<b>Assembly Required</b>	Yes
<b>Product Care Instructions</b>	Wipe with Dry Cloth

## WARRANTY INFORMATION

---

Brabrey products are manufactured with quality and care. For specific warranty details regarding your Multi-Functional Twin Daybed, please refer to the warranty card included with your purchase or contact the retailer from whom you purchased the product. Warranty terms typically cover manufacturing defects under normal use.

## CUSTOMER SUPPORT

---

If you have any questions, require assistance with assembly, or need to report missing/damaged parts, please contact the retailer or manufacturer's customer support. Have your purchase receipt and product model number (Daybed) ready when contacting support for faster service.