



Manuals.plus /

› LINSY HOME /

› LINSY HOME Rubik III Modular Sectional Sofa Instruction Manual

LINSY HOME Rubik III

LINSY HOME Rubik III Modular Sectional Sofa Instruction Manual

Model: Rubik III

1. INTRODUCTION

This manual provides detailed instructions for the assembly, operation, and maintenance of your LINSY HOME Rubik III Modular Sectional Sofa. Please read this manual thoroughly before assembly and use to ensure proper setup and longevity of your product.



Image 1.1: The LINSY HOME Rubik III Modular Sectional Sofa in a modern living room environment, showcasing its versatile design.

2. PRODUCT FEATURES

The LINSY HOME Rubik III Modular Sectional Sofa is designed for flexibility, comfort, and practicality. Key features include:

- **Modular Design:** Each module is detachable, allowing for various configurations to suit different room layouts and preferences.
- **Integrated Storage:** Each seat includes generous storage space, ideal for organizing household items and maintaining a tidy living area.
- **Deep Seating:** With a seat depth of 27.5 inches, the sofa offers an extended seating area for enhanced relaxation.
- **Comfortable Padding:** Features extra-thick back and seat cushions filled with fiberfill and memory foam for superior comfort.
- **Removable and Washable Covers:** Fabric covers can be easily removed and machine washed for convenient maintenance.

What Makes it Impeccable

Upgraded 27.5 Seat Depth With Larger Storage Space



Image 2.1: Illustration of the storage compartments beneath each seat, highlighting the dimensions of 22.44" x 22.44" x 8.46".

Experience the Depth of Comfort

2-5 inches deeper than regular sofa



Image 2.2: Two individuals comfortably seated on the sofa, demonstrating the spacious 27.5-inch deep seating.

3. SETUP AND ASSEMBLY

Your LINSY HOME Rubik III Modular Sectional Sofa will arrive in 6 separate packages. These packages may arrive at different times. Assembly is required and designed to be straightforward.

3.1 Unpacking

Carefully unpack all components from the boxes. Ensure all parts are present before beginning assembly. The non-compressed packaging facilitates an easier and quicker assembly process.

3.2 Modular Connection

The sofa modules connect using integrated brackets. Align the modules and slide the brackets into place to secure them. This allows for various configurations, from a standard sofa to an L-shape or U-shape sectional.

Simple Installation



Image 3.1: Visual guide demonstrating the simple installation process of connecting sofa modules using the integrated brackets.



Image 3.2: Examples of different modular configurations possible with the Rubik III sofa, including a standard sofa and a larger sectional.

3.3 Assembly Video Guide

For a visual guide on assembling and configuring your modular sofa, please refer to the video below:



Video 3.1: An official LINSY HOME video demonstrating the modular assembly and various configuration options for the Rubik III sofa.

4. OPERATING AND USAGE

The Rubik III sofa is designed for versatile use in various living spaces. Its modular nature allows you to reconfigure it as needed.

4.1 Reconfiguring Modules

To change the sofa's configuration, simply lift the connecting brackets between modules, separate them, and rearrange as desired. Reconnect the brackets to secure the new arrangement. This flexibility allows for easy adaptation to different room layouts or social gatherings.

4.2 Accessing Storage

Each seat cushion can be lifted to reveal a spacious storage compartment underneath. This is ideal for storing blankets, pillows, books, or other household items, helping to keep your living area organized.

5. MAINTENANCE

Proper care and maintenance will extend the life and appearance of your LINSY HOME Rubik III sofa.

5.1 Cleaning Fabric Covers

The sofa features removable and washable covers for easy cleaning. To clean:

1. Unzip and remove the fabric covers from the cushions.
2. Machine wash with cold water on a gentle cycle.
3. Allow the covers to air dry completely.
4. Do not bleach, iron, or dry clean the covers.



Image 5.1: A person demonstrating the removal of a sofa cushion cover for washing, highlighting the ease of maintenance.

5.2 General Care

- Regularly vacuum the sofa to remove dust and debris.
- Spot clean any spills immediately with a clean, damp cloth and mild soap, then blot dry.
- Avoid direct sunlight exposure for prolonged periods to prevent fading.
- Rotate cushions periodically to ensure even wear.

6. SPECIFICATIONS

Detailed specifications for the LINSY HOME Rubik III Modular Sectional Sofa:

Feature	Detail
Brand	LINSY HOME
Model	Rubik III
Assembly Required	Yes
Product Dimensions (D x W x H)	58.6"D x 122.6"W x 37"H
Seat Depth	27.5 inches
Seat Height	18.1 Inches
Weight Capacity (Maximum)	1000 Pounds
Upholstery Fabric Type	Linen
Frame Material Type	Wood
Seat Fill Material	Foam (High Density Foam, Memory Foam, Polyester)
Back Cushion Fill Material	Synthetic Fiber
Special Features	Armrest, Convertible, Easy to Assemble, Removable Cover, Storage
Seating Capacity	5.00
Item Firmness Description	Plush

Product Size & Weight Capacity



1000 LBS
Weight Capacity
for Each Seat

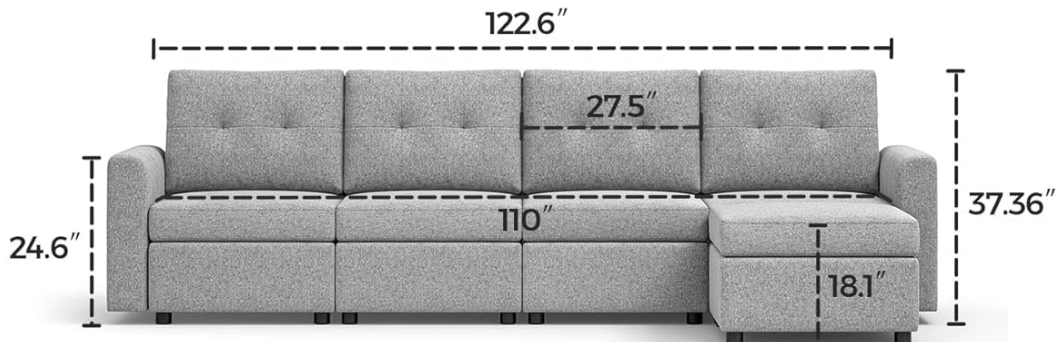


Image 6.1: Detailed product dimensions and weight capacity information for the Rubik III sofa.

7. SAFETY INFORMATION

Please observe the following safety guidelines to ensure safe use of your sofa:

- All foam and upholstered surfaces meet flammability standards.
- Keep the sofa away from open flames or high heat sources to prevent fire hazards.
- Supervise children and pets around the sofa to avoid risks of entrapment or injury, especially when reconfiguring modules or accessing storage.
- Do not exceed the maximum weight capacity of 1000 pounds.

8. TROUBLESHOOTING

This section addresses common issues you might encounter with your LINSY HOME Rubik III Modular Sectional Sofa.

8.1 Modules Not Connecting Securely

- **Issue:** Sofa modules feel loose or do not connect firmly.
- **Solution:** Ensure the connecting brackets on each module are properly aligned and fully engaged. Apply gentle pressure to push modules together until the brackets lock. Check for any obstructions preventing full engagement.

8.2 Cushion Covers Difficult to Remove/Reinstall

- **Issue:** Difficulty in removing or reinstalling cushion covers.
- **Solution:** When removing, ensure zippers are fully unzipped. When reinstalling, carefully align the cover and zip

slowly to avoid snagging the fabric. Do not force the zipper.

8.3 Squeaking Noises

- **Issue:** The sofa makes squeaking noises during use.
- **Solution:** Check all connecting brackets to ensure they are securely fastened. Verify that the sofa legs are tightened and stable. If the issue persists, gently lift and reseal the cushions.

9. WARRANTY AND SUPPORT

9.1 Product Warranty

The LINSY HOME Rubik III Modular Sectional Sofa comes with a **Limited Warranty**. Please refer to your purchase documentation or contact customer support for specific terms and conditions of the warranty.

9.2 Customer Support

For any questions, assistance with assembly, or to report issues, please contact LINSY HOME customer support. Contact information can typically be found on the LINSY HOME official website or through your purchase platform.

You may also visit the LINSY HOME Store on Amazon for more product information and support resources.

