

Manuals+

[Q & A](#) | [Deep Search](#) | [Upload](#)

manuals.plus /

- › [Merax](#) /
- › [Merax Entryway Bench with Shoe Storage and Drawers - Instruction Manual](#)

Merax Entryway Bench

Merax Entryway Bench with Shoe Storage and Drawers - Instruction Manual

Model: Entryway Bench (Old Pine)

1. INTRODUCTION

Thank you for choosing the Merax Entryway Bench. This manual provides essential information for the safe assembly, operation, and maintenance of your new storage bench. Please read these instructions carefully before assembly and retain them for future reference.

SIZE: INCH

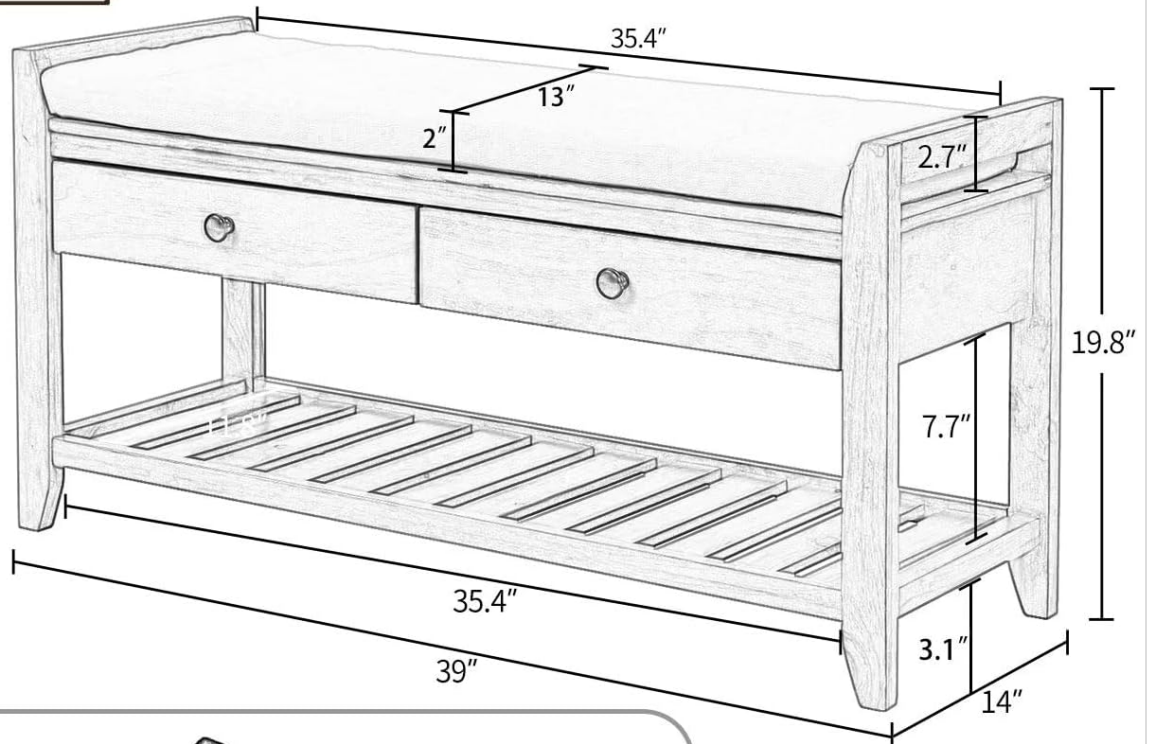


Image 1.1: The Merax Entryway Bench in Old Pine, showcasing its design with a comfortable cushioned top, two functional storage drawers, and a lower slatted shelf for shoe organization.

2. SAFETY INFORMATION

To ensure safe use and prevent damage, please adhere to the following guidelines:

- **Weight Limits:** Do not exceed the specified weight capacities. The top shelf (seat) supports up to 220 lbs (100 kg). The bottom shelf supports up to 66 lbs (30 kg). Each drawer supports up to 17 lbs (7.7 kg). Exceeding these limits may cause the bench to collapse or become unstable, leading to injury or damage.
- **Assembly:** Assemble the bench on a soft, clean surface to prevent scratches. Ensure all screws and fasteners are securely tightened before use. Periodically check and re-tighten all connections.
- **Placement:** Place the bench on a level, stable surface. Avoid placing it in areas with high humidity or direct sunlight to prevent material degradation.
- **Children:** Keep small parts and packaging materials away from children during assembly. Do not allow children to

climb or play on the bench unsupervised.

- **Moving:** When moving the bench, lift it rather than dragging it to prevent damage to the legs and frame.

3. PACKAGE CONTENTS

Before beginning assembly, verify that all components are present and undamaged. If any parts are missing or damaged, please contact customer support.

- Bench Frame (Pre-assembled sections)
- Cushioned Seat
- Drawers (2 units)
- Drawer Knobs (2 units)
- Assembly Hardware (Screws, dowels, etc.)
- Assembly Instructions Manual

4. SETUP AND ASSEMBLY

The Merax Entryway Bench is designed for easy assembly. Follow the detailed instructions provided in the separate assembly guide included in your package. General steps are outlined below:

1. **Unpack Components:** Carefully remove all parts from the packaging. Lay them out on a clean, soft surface to prevent scratches.
2. **Identify Hardware:** Match all hardware pieces with the list in the assembly guide.
3. **Assemble Frame:** Follow the step-by-step diagrams to connect the main frame components. Ensure all connections are finger-tightened initially.
4. **Install Drawers:** Assemble the drawers according to the instructions and slide them into their designated slots. Attach the drawer knobs.
5. **Place Cushion:** Position the cushioned seat securely on top of the bench frame.
6. **Final Tightening:** Once all components are in place, use a screwdriver (not included, common household tool) to securely tighten all screws and fasteners. Do not overtighten.

Two spacious sliding drawers give you easy access to sandals, kids' shoes and more



while the underside gridded rack can hold additional shoes or storage baskets to add your own personal touch.



Image 4.1: Dimensional diagram of the Merax Entryway Bench, illustrating its overall size and the internal measurements of the drawers for assembly reference.

5. OPERATING INSTRUCTIONS

The Merax Entryway Bench is designed for versatile use in various areas of your home.

5.1 Seating Function

The top surface of the bench, equipped with a comfortable cushion, serves as a convenient seating area. It is ideal for putting on or taking off shoes in an entryway, or as additional seating in a living room or bedroom. Ensure the weight limit of 220 lbs (100 kg) is not exceeded.

5.2 Drawer Storage

The two integrated drawers provide concealed storage for small items such as keys, wallets, gloves, or other personal belongings. Gently pull the knobs to open and push to close. Do not overload drawers beyond 17 lbs (7.7 kg) each.



WITH A SPACIOUS UPPER SEATING DECK
perfectly matched with soft beige cushions



THE BENCH IS OF VERY HIGH QUALITY

it Constructed with thick slabs of pine wood, has the durability to effortlessly withstand daily use from you and your family



Image 5.1: The Merax Entryway Bench with its two drawers open, demonstrating the accessible storage space for various small items.

5.3 Shoe Rack Shelf

The slatted shelf located beneath the drawers is designed for shoe storage. It can accommodate multiple pairs of shoes or small storage baskets. Ensure the weight limit of 66 lbs (30 kg) is not exceeded on this shelf.



SHOE RACK WITH CUSHIONED SEAT AND DRAWERS

Multipurpose Entryway Storage Bench, Natural Wood



Ideal for family use, this classic bench functions as the perfect inconspicuous storage option

Image 5.2: A detailed view of the Merax Entryway Bench's drawers and the lower slatted shelf, illustrating its function as a shoe rack.

6. MAINTENANCE

Proper care and maintenance will extend the life and appearance of your Merax Entryway Bench.

- **Cleaning:** Wipe the wooden surfaces with a dry, soft cloth. For stubborn marks, a slightly damp cloth followed immediately by a dry cloth can be used. Avoid abrasive cleaners or harsh chemicals, as these can damage the finish.
- **Cushion Care:** The cushion can be spot cleaned with a mild fabric cleaner. Allow to air dry completely.
- **Hardware Check:** Periodically inspect all screws and fasteners to ensure they remain tight. Re-tighten as necessary to maintain stability.
- **Environmental Conditions:** Avoid prolonged exposure to direct sunlight or extreme temperature changes, which can cause wood to warp or fade.

7. TROUBLESHOOTING

If you encounter any issues with your Merax Entryway Bench, refer to the following common solutions:

- **Bench is Wobbly:** Ensure all assembly screws are fully tightened. Check that the bench is placed on a level surface. If necessary, use furniture pads under the legs to stabilize.
- **Drawers Stick or Don't Slide Smoothly:** Verify that the drawers are correctly installed in their tracks. Check for any obstructions within the drawer slides. Ensure the drawers are not overloaded.
- **Scratches or Dents:** Minor scratches on the wood finish can often be touched up with a wood repair marker or furniture polish matching the 'Old Pine' color.
- **Missing Parts:** If any parts were missing upon delivery, refer to the 'Warranty and Support' section to contact customer service for replacements.

8. SPECIFICATIONS

Feature	Detail
Product Dimensions (Overall)	35.4"D x 14"W x 19.8"H (90 cm D x 35.5 cm W x 50.3 cm H)
Color	Old Pine
Material	Engineered Wood, Pine Wood
Item Weight	24.3 pounds (11 kg)
Weight Capacity (Top Shelf/Seat)	220 lbs (100 kg)
Weight Capacity (Bottom Shelf)	66 lbs (30 kg)
Weight Capacity (Each Drawer)	17 lbs (7.7 kg)
Product Care Instructions	Wipe with Dry Cloth

9. WARRANTY AND SUPPORT

Merax is committed to providing high-quality products. For any questions regarding assembly, missing parts, or product defects, please contact our customer support team. Please have your purchase information and model number (Entryway Bench, Old Pine) ready when contacting support. Contact information can typically be found on the retailer's website or on the packaging materials included with your product.