



[Manuals.plus](#) /

> [Garvee](#) /

> Garvee 6000Lbs/3T Forklift Mobile Crane Instruction Manual

Garvee tYM9eUhJapLt9wdzbdVvqA8h

Garvee 6000Lbs/3T Forklift Mobile Crane Instruction Manual

Model: tYM9eUhJapLt9wdzbdVvqA8h

1. INTRODUCTION

This manual provides essential information for the safe and efficient operation, assembly, and maintenance of your Garvee 6000Lbs/3T Forklift Mobile Crane. Please read this manual thoroughly before installation or operation to ensure proper use and to prevent injury or damage. Keep this manual for future reference.

2. SAFETY INFORMATION

Always prioritize safety when operating heavy machinery. Failure to follow these safety guidelines may result in serious injury or death.

- **Read the Manual:** Ensure all operators have read and understood this instruction manual and the forklift's operating manual.
- **Weight Capacity:** Do not exceed the maximum lifting capacity of 6,600 lbs (3 tons). Overloading can cause equipment failure and accidents.
- **Inspection:** Before each use, inspect the crane for any signs of damage, wear, or loose components. Pay close attention to the hook, pins, and structural integrity.
- **Secure Attachment:** Ensure the crane is securely attached to the forklift forks according to the assembly instructions.
- **Load Stability:** Always ensure the load is properly balanced and secured before lifting. Use appropriate rigging and lifting accessories.
- **Clear Area:** Keep the work area clear of personnel and obstructions during operation.
- **Personal Protective Equipment (PPE):** Operators and nearby personnel must wear appropriate PPE, including hard hats, safety glasses, and safety shoes.
- **Environmental Conditions:** Do not operate the crane in adverse weather conditions or on unstable surfaces.
- **Maintenance:** Perform regular maintenance as outlined in this manual to ensure safe and reliable operation.

3. COMPONENTS LIST

Verify that all components are present and undamaged upon receipt.

- Forklift Jib Crane main assembly
- Safety Anti-Fall Hook
- Mounting pins/bolts for forklift attachment
- Telescopic boom adjustment pins



Image 3.1: Detailed view of the crane's high-toughness steel construction, the safety anti-fall hook, and the mechanism for flexible boom extension and retraction.

4. SETUP AND ASSEMBLY

Follow these steps to properly attach the forklift mobile crane to your forklift.

1. **Prepare Forklift:** Ensure the forklift is parked on a level surface, the engine is off, and the parking brake is engaged.
2. **Position Crane:** Carefully align the forklift crane's fork pockets with the forklift's forks.
3. **Insert Forks:** Slowly drive the forklift forward, inserting the forks fully into the crane's pockets until the crane is flush against the forklift carriage.

4. **Secure Attachment:** Insert the provided mounting pins or bolts through the designated holes in the crane and the forklift forks. Secure them firmly to prevent any movement during operation.
5. **Verify Stability:** Gently raise and lower the forks a few times to ensure the crane is securely attached and stable.



Image 4.1: The Garvee forklift crane mounted on a forklift, demonstrating its extended position. The inset illustrates the telescopic boom's adjustable nature.

5. OPERATING INSTRUCTIONS

Operating the Garvee Forklift Mobile Crane requires careful attention to detail and adherence to safety protocols.

5.1. Adjusting the Telescopic Boom

- To adjust the length of the boom, remove the adjustment pins.
- Carefully extend or retract the boom to the desired length.
- Reinsert the adjustment pins through the corresponding holes to secure the boom in place. Ensure pins are fully seated and secured.

Trustworthy Details



Thickened Steel Material



Anti-corrosion Hook



Telescopic Adjustment Holes

Image 5.1: Illustration of the crane's porous adjustable telescopic boom design, highlighting how the boom can be extended or retracted for different reach requirements.

5.2. Lifting Operations

- **Attach Load:** Securely attach the load to the safety anti-fall hook using appropriate rigging. Ensure the load is centered and balanced.
- **Clearance:** Before lifting, ensure there is adequate overhead and surrounding clearance.
- **Slow Lift:** Slowly and smoothly raise the load using the forklift's hydraulic controls. Avoid sudden movements.
- **Transport:** When transporting a load, keep it as low to the ground as safely possible to maintain stability. Drive slowly and avoid sharp turns.
- **Lowering Load:** Slowly and smoothly lower the load to its destination. Ensure the landing area is clear and stable.
- **Detaching Load:** Once the load is safely on the ground and stable, detach the rigging from the hook.



Image 5.2: The Garvee crane demonstrating its heavy-load capacity by lifting a substantial object, highlighting its robust design for demanding tasks.

6. MAINTENANCE

Regular maintenance is crucial for the longevity and safe operation of your Garvee Forklift Mobile Crane.

- **Daily Inspection:** Before each use, visually inspect the entire crane for cracks, bends, loose fasteners, or any other damage. Check the hook for wear and proper latch operation.
- **Cleaning:** Keep the crane clean and free of dirt, debris, and corrosive materials.
- **Lubrication:** Periodically lubricate moving parts, such as the telescopic boom sections and adjustment pins, to ensure smooth operation and prevent corrosion.
- **Fastener Check:** Regularly check all bolts, nuts, and pins for tightness. Tighten any loose fasteners to the manufacturer's specifications.
- **Storage:** When not in use, store the crane in a dry, protected area to prevent rust and damage.
- **Professional Inspection:** It is recommended to have the crane professionally inspected annually or after any significant impact or overload event.

Porous Adjustable Telescopic Boom Design



Image 6.1: Detailed views of the crane's construction, including thickened steel material for durability, an anti-corrosion hook for longevity, and the design of the telescopic adjustment holes.

7. TROUBLESHOOTING

This section addresses common issues you might encounter with your forklift mobile crane.

Problem	Possible Cause	Solution
Crane not securely attached to forklift.	Mounting pins not fully inserted or secured.	Ensure pins are fully inserted and secured with retaining clips/bolts. Verify forks are fully seated in pockets.
Telescopic boom difficult to adjust.	Lack of lubrication; dirt/debris in mechanism; bent pins.	Clean boom sections and lubricate. Check adjustment pins for damage and replace if necessary.
Load swinging excessively during lift.	Improperly balanced load; sudden forklift movements.	Re-rig load to ensure balance. Operate forklift slowly and smoothly. Keep load as low as possible.
Visible damage or deformation on crane structure.	Overload; impact; material fatigue.	Immediately cease operation. Do not use the crane. Contact Garvee customer support for inspection and repair/replacement.

8. SPECIFICATIONS

Technical details for the Garvee Forklift Mobile Crane.

- **Model:** tYM9eUhJapLt9wdzbdVvqA8h
- **Lifting Capacity:** 6,600 lbs (3 tons)
- **Adjustable Length:** 83" - 149" (approximate, based on product description)

- **Item Weight:** 353 pounds
- **Product Dimensions (Retracted):** 92.91 x 22.83 x 25.2 inches
- **Material:** High-Toughness Steel
- **Color:** Yellow

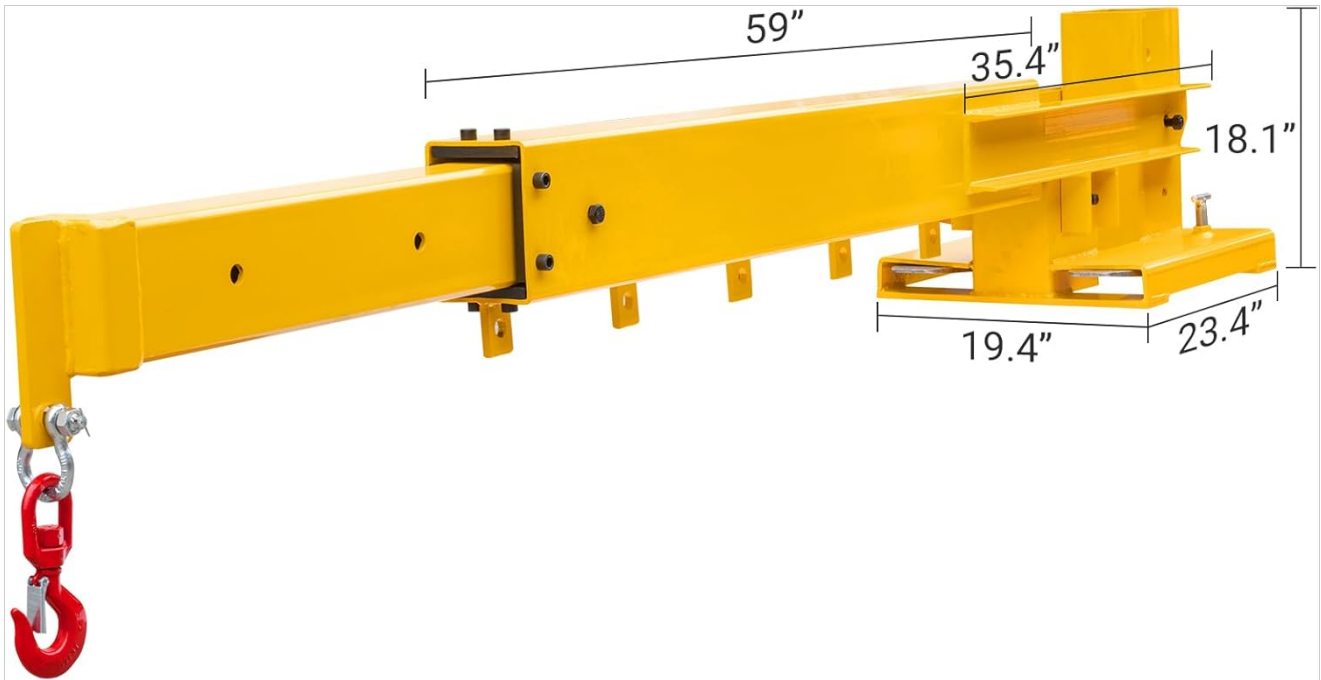


Image 8.1: Dimensional overview of the Garvee Forklift Mobile Crane, indicating key measurements for planning and installation.

9. WARRANTY AND SUPPORT

For warranty information, technical support, or to inquire about replacement parts, please contact Garvee customer service. Refer to your purchase documentation for specific warranty terms and contact details.

Garvee Customer Support: Please visit the official Garvee website or refer to the contact information provided with your purchase.