

## Manuals+

[Q & A](#) | [Deep Search](#) | [Upload](#)

manuals.plus /

› [HanStrong](#) /

› [HanStrong 54-42 Inch Expandable Dining Table User Manual, Model B0DFGMVRLT](#)

## HanStrong B0DFGMVRLT

# HanStrong 54-42 Inch Expandable Dining Table User Manual

Model: B0DFGMVRLT

---

## 1. SAFETY INFORMATION

Always adhere to the following safety guidelines to ensure safe use of your HanStrong dining table:

- Always assemble the table strictly according to the provided instructions.
- Do not exceed the maximum weight capacity of 300 lbs (136 kg) on the tabletop.
- Ensure the table is stable and level on the floor before placing any items on it or using it.
- Supervise children when they are near the table to prevent accidents.
- Avoid standing or sitting on the table.

## 2. PRODUCT OVERVIEW

The HanStrong Expandable Dining Table is designed for versatility and style, featuring a retro design with X-shaped base legs and an extendable tabletop. It transitions from a round 42-inch table to a 54-inch oval table, accommodating 4 to 6 people.



Figure 2.1: HanStrong Expandable Dining Table (Espresso)

This image displays the HanStrong dining table in its expanded, oval configuration. The table features an espresso finish, a sturdy X-shaped pedestal base, and a wood grain pattern on the tabletop. It is shown in a dining room setting with a rug and decorative elements.

### Key Features:

- **Extendable Tabletop:** Easily adjusts from 42 inches (round) to 54 inches (oval) using a 12-inch butterfly leaf.
- **Seating Capacity:** Comfortably seats 4 to 6 individuals.
- **Durable Construction:** Features an OAK veneer tabletop and solid wood cross-base legs for stability.
- **Weight Capacity:** Supports up to 300 lbs (136 kg).
- **Retro Design:** Enhances dining spaces with its classic aesthetic.

### 3. ASSEMBLY INSTRUCTIONS

Full assembly is required for this dining table. Please ensure all components are present before beginning. It is recommended to assemble the table with at least two people.

### Included Components:

- Tabletop sections
- Butterfly leaf
- X-shaped base legs
- Hardware (screws, bolts, washers)
- Assembly tools (Allen wrench, etc.)
- Detailed Assembly Instructions (separate document)

**Important:** Refer to the separate, detailed assembly instructions included in your product packaging for step-by-step guidance. Do not over-tighten fasteners, as this may cause distortion or breakage.



Figure 3.1: Table Base Detail

This image shows a detailed view of the sturdy X-shaped pedestal base of the HanStrong dining table, highlighting its construction and espresso finish.

#### 4. OPERATING THE EXPANDABLE FEATURE

The HanStrong dining table features a convenient butterfly leaf mechanism to adjust its size.

##### To Expand the Table (Round to Oval):

1. Gently pull apart the two halves of the tabletop. The table slides on its runners, revealing the storage space for the butterfly leaf.
2. Lift the butterfly leaf from its stored position beneath the tabletop.
3. Unfold the leaf and position it between the two tabletop halves.
4. Push the tabletop halves back together until they meet the edges of the butterfly leaf and lock into

place.



Figure 4.1: Table Expansion Mechanism (Partially Open)

This image illustrates the internal mechanism of the HanStrong dining table as the butterfly leaf is being extended. The two main tabletop sections are separated, revealing the folded leaf and the sliding runners.



Figure 4.2: Table Expansion Mechanism (Fully Extended)

This image shows the HanStrong dining table with its butterfly leaf fully extended and integrated, forming a larger oval tabletop. The mechanism is fully engaged, and the table is ready for use in its expanded configuration.

### To Contract the Table (Oval to Round):

1. Unlock any latches securing the tabletop halves to the butterfly leaf.
2. Gently pull apart the tabletop halves, creating a gap.
3. Fold the butterfly leaf and lower it back into its storage compartment beneath the tabletop.
4. Push the tabletop halves back together until they meet, forming the round table. Ensure they are securely closed.

## 5. MAINTENANCE

Proper care and maintenance will extend the life and appearance of your dining table.

- **Cleaning the Finish:** Immediately blot any liquid spills with a damp cloth. Do not use harsh surface cleaners, abrasive materials, or polishes that could damage or remove the distressed finish.
- **Hardware Check:** Hardware components (screws, bolts) may loosen over time with regular use. Periodically check all connections and tighten them as necessary to maintain stability.
- **Fasteners:** When tightening fasteners, avoid over-tightening, as this can cause damage, distortion, or breakage of the wood or hardware.
- **Environmental Factors:** Avoid placing the table in direct sunlight or near heat sources, which can

cause fading, warping, or cracking of the wood. Maintain a consistent humidity level in the room.

## 6. TROUBLESHOOTING

---

This section addresses common issues you might encounter with your dining table.

Problem	Possible Cause	Solution
Table feels wobbly or unstable.	Loose hardware; uneven floor.	Check and tighten all assembly hardware. Ensure the table is on a level surface; use furniture glides or shims if necessary.
Tabletop halves do not align properly when expanding/contracting.	Obstruction in the sliding mechanism; misaligned leaf.	Inspect the sliding runners for debris. Ensure the butterfly leaf is correctly positioned and unfolded before pushing the tabletop halves together.
Scratches or minor damage to the finish.	Accidental impact; abrasive cleaning.	For minor scratches, consult a professional furniture repair specialist or use a touch-up pen matching the espresso finish. Avoid abrasive cleaning.

## 7. SPECIFICATIONS

---

Detailed specifications for the HanStrong Expandable Dining Table.

size:inch

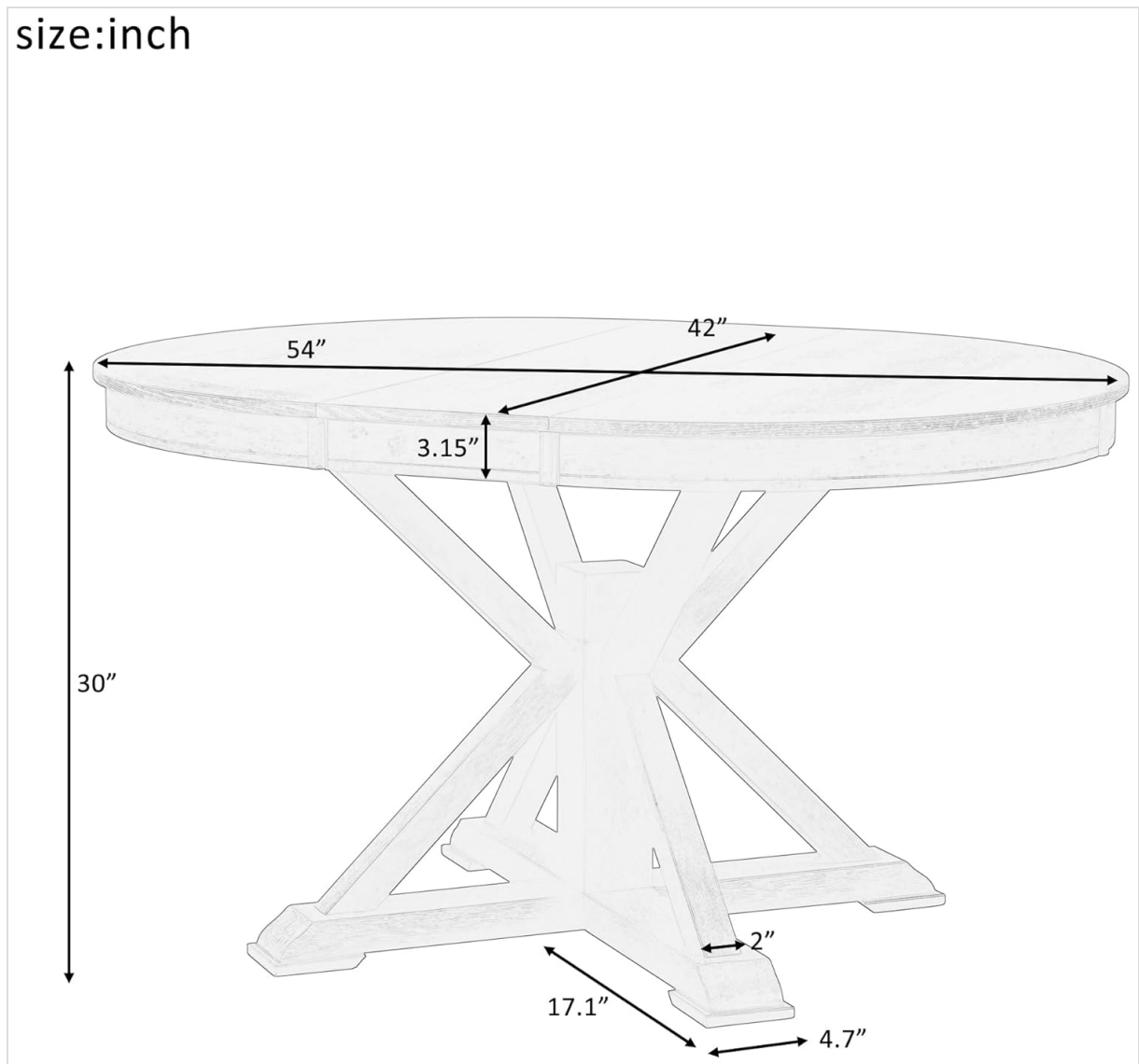


Figure 7.1: Product Dimensions Diagram

This technical diagram illustrates the key dimensions of the HanStrong dining table, including its height (30 inches), width (42 inches round, 54 inches oval), and base measurements.

- **Brand:** HanStrong
- **Model:** B0DFGMVRLT
- **Material:** MDF + OAK Veneer (Tabletop), Solid Wood (Base)
- **Color:** Espresso
- **Dimensions (Round):** 42"D x 42"W x 30"H
- **Dimensions (Oval, Expanded):** 54"L x 42"W x 30"H
- **Extended Length:** 54 Inches
- **Tabletop Thickness:** Approximately 1.2 inches (derived from 3E+1 Inches, assuming 30mm or 3cm)
- **Weight Capacity:** 300 LBS (136 kg)
- **Seating Capacity:** 4 to 6 people
- **Finish:** Distressed Finish
- **Assembly Required:** Yes (approx. 30 min)
- **Included Components:** Assembly Instructions, Assembly Tools
- **Indoor/Outdoor Usage:** Indoor only
- **Is the item resizable?:** Yes

## 8. WARRANTY AND SUPPORT

---

For warranty information, product support, or to purchase replacement parts, please contact HanStrong customer service directly. Refer to the contact information provided in your product packaging or visit the official HanStrong store online.

**HanStrong Store:** [Visit the HanStrong Store on Amazon](#)

---