



[Manuals.plus](#) /

> [PrimeCables](#) /

> PrimeCables 47x24 Electric Standing Desk (Model: Cab-PC-08486-BK) User Manual

PrimeCables Cab-PC-08486-BK

PrimeCables 47x24 Electric Standing Desk (Model: Cab-PC-08486-BK) User Manual

Comprehensive instruction manual for the PrimeCables 47x24 Electric Standing Desk, covering assembly, operation, features, and specifications.

1. INTRODUCTION

This manual provides detailed instructions for the assembly, operation, and maintenance of your PrimeCables 47x24 Electric Standing Desk. Please read this manual thoroughly before use to ensure proper function and safety. Keep this manual for future reference.



Image 1: PrimeCables 47x24 Electric Standing Desk in a home office setting, showcasing its sleek black design with a monitor, keyboard, and mouse.

2. SAFETY INFORMATION

Please observe the following safety guidelines to prevent injury or damage to the product:

- **Weight Limit:** Do not exceed the maximum weight limit of 50 kg (110 lbs). Exceeding this limit can damage the desk and pose a safety risk.
- **Electrical Operation:** Use caution when operating the electrical features of the desk. Ensure all cables are properly connected and not pinched.
- **Obstruction Detection:** The desk is equipped with obstruction detection. However, always ensure the path of movement is clear during height adjustments to prevent damage or injury.
- **Children and Pets:** Keep children and pets away from the desk during operation.
- **Stable Surface:** Ensure the desk is placed on a stable and level surface. Adjustable foot pads can be used to compensate

for uneven floors.

3. PRODUCT FEATURES

- **Rock-Solid Stability System:** Adjustable foot pads ensure wobble-free performance on uneven floors. Heavy-duty metal frame supports up to 110lbs for dual monitors and office equipment.
- **Smart 3-Memory Control Panel:** LED height display + 3 customizable memory presets for instant adjustments. Obstruction detection retracts tabletop automatically to prevent damage.
- **Rapid Height Adjustment:** 72-117cm (28.3-46.1in) range with 18mm/s speed - switch from sitting to standing in seconds. Quiet operation under 50dB for shared spaces.
- **Dual-Stage Column Technology:** Smooth lifting mechanism with low friction for precise height control. Ideal for ergonomic posture correction and productivity boost.
- **Splice Board Design:** 120x60x1.5cm (47x23.6x0.6in) premium wood splice board - modern aesthetic with easy assembly.

4. SPECIFICATIONS

Brand	PrimeCables
Model Number	Cab-PC-08486-BK
Colour	Black
Product Dimensions	120 x 60 x 117 cm (47 x 23.6 x 46.1 inches)
Material	Alloy Steel, Wood (Splice Board)
Item Weight	23.5 kg (51.8 lbs)
Height Adjustment Range	72-117 cm (28.3-46.1 inches)
Speed	18mm/s
Noise Level	Under 50dB
Weight Capacity	50 kg (110 lbs)

Dimension

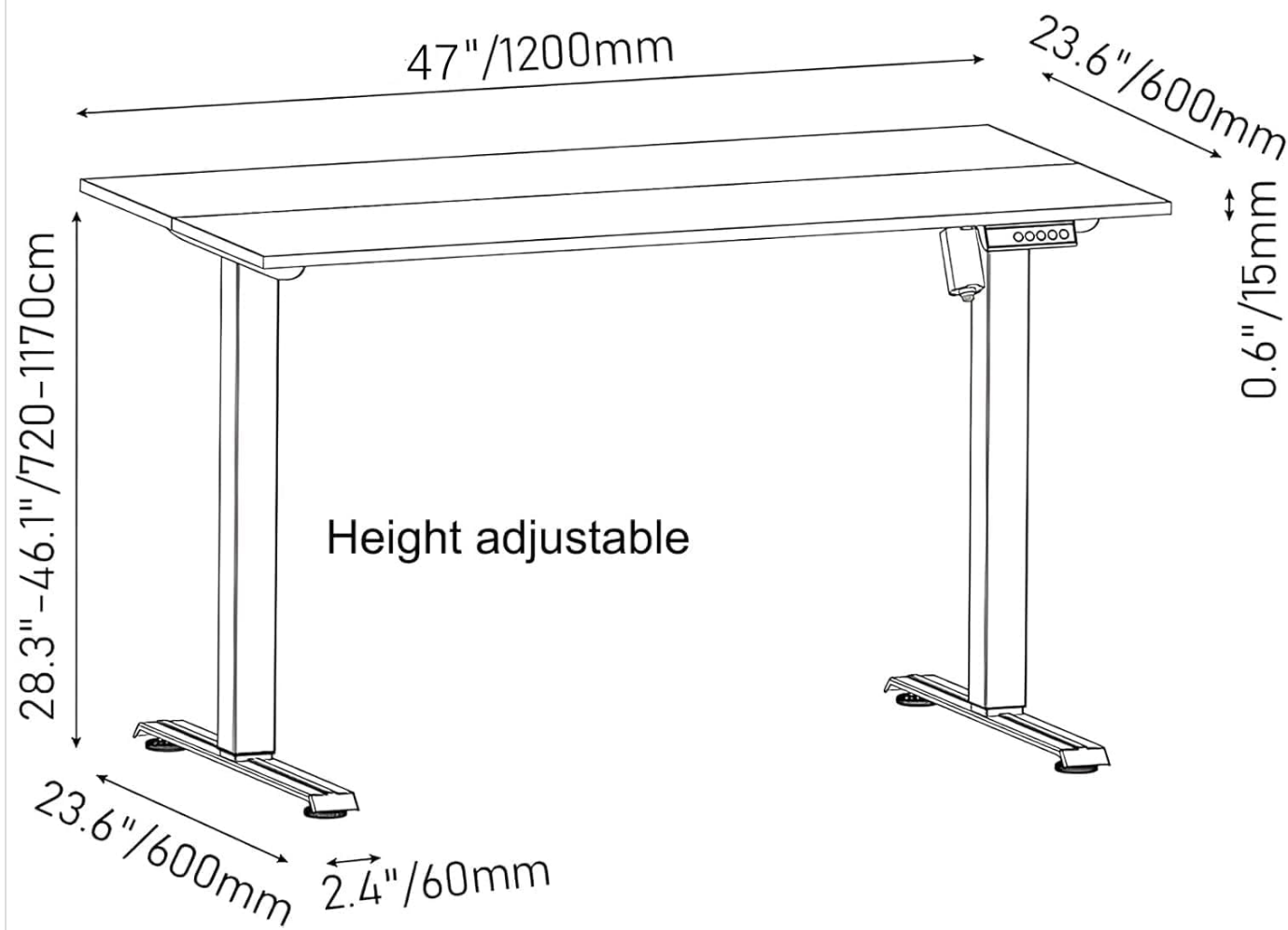


Image 2: Detailed dimension diagram of the PrimeCables Electric Standing Desk, showing height adjustment range and tabletop measurements.

5. SETUP AND ASSEMBLY

Follow these steps to assemble your PrimeCables Electric Standing Desk. It is recommended to have two people for assembly.

5.1 Unpacking and Component Check

Carefully unpack all components and compare them with the parts list in your packaging. Ensure all parts are present and undamaged before proceeding.

5.2 Assembling the Desk Frame

Begin by assembling the main frame components. Refer to the video below for a step-by-step visual guide.

Your browser does not support the video tag.

Video 1: Step-by-Step Installation Guide for ErGear Standing Desk. This video demonstrates the assembly process for a similar electric standing desk frame, including attaching legs and crossbars.

Another helpful video for assembly:

Your browser does not support the video tag.

Video 2: ERGOMAKER Electric Height Adjustable Standing Desk Installation Guide. This video provides a visual walkthrough of assembling an electric standing desk, focusing on frame construction and component connections.

5.3 Attaching the Splice Board Desktop

The desk features a splice board design. Carefully align and attach the two desktop pieces, then secure them to the assembled frame using the provided screws. Ensure all connections are tight and secure.



Image 3: The desk's sturdy construction, capable of supporting up to 50kg (110lbs), as demonstrated by a kettlebell placed on the desktop.

5.4 Connecting the Control Panel and Cables

Connect the control panel and motor cables according to the instructions. Use the provided cable management accessories to keep wires tidy and prevent entanglement.



Controller Touch Screen



Up Adjustment



3 Memory Heights



Down Adjustment



Digital Screen

Image 4: Close-up view of the Smart 3-Memory Control Panel, featuring an LED height display and buttons for up/down adjustment and three memory presets.



Digital LCD Panel

Level Feet Design

Two-Splice Tabletop

Image 5: Visual details highlighting the digital LCD panel, the adjustable level feet design for stability, and the aesthetic of the two-splice tabletop.

6. OPERATING INSTRUCTIONS

6.1 Basic Height Adjustment

- **To Raise:** Press and hold the **Up (▲)** button on the control panel. The desk will move upwards. Release the button at your desired height.
- **To Lower:** Press and hold the **Down (▼)** button on the control panel. The desk will move downwards. Release the button at your desired height.
- The current height is displayed on the LED screen.

Your browser does not support the video tag.

Video 6: Adjustable Sit Stand Desk with USB Ports for Home Office. This video demonstrates the smooth electric height adjustment of a

standing desk, showcasing the control panel and its responsiveness.

6.2 Setting Memory Presets

The desk allows you to save up to three preferred height settings for quick adjustments.

1. Adjust the desk to your desired height using the Up/Down buttons.
2. Press the "S" button (Set/Save). The LED display will flash.
3. Within 3 seconds, press one of the numbered memory buttons ("1", "2", or "3") to save the current height to that preset.
4. To recall a saved height, simply press the corresponding numbered memory button. The desk will automatically move to the saved position.

6.3 Obstruction Detection

The desk is equipped with an anti-collision feature. If the desktop encounters an obstruction during movement, it will automatically stop and retract slightly to prevent damage. Always ensure the area around the desk is clear before adjusting the height.

7. MAINTENANCE

- **Cleaning:** Wipe the desktop and frame with a soft, damp cloth. Avoid using harsh chemicals or abrasive cleaners.
- **Cable Management:** Regularly check that all cables are securely fastened and not tangled or pinched.
- **Screw Tightness:** Periodically check and tighten all screws to ensure the desk remains stable.
- **Lubrication:** The lifting columns are designed for maintenance-free operation. Do not attempt to lubricate them.

8. TROUBLESHOOTING

Problem	Possible Cause	Solution
Desk does not move.	Power cable disconnected; control panel cable loose; overload.	Check all cable connections. Reduce weight on the desk. Unplug and replug the power for 10 seconds to reset.
Desk moves unevenly or makes unusual noise.	Uneven load; loose screws; obstruction.	Ensure weight is evenly distributed. Check and tighten all screws. Clear any obstructions.
Height presets not working.	Presets not saved correctly.	Re-save your desired height settings following the "Setting Memory Presets" instructions.

9. WARRANTY AND SUPPORT

For warranty information or technical support, please refer to the official PrimeCables website or contact their customer service directly. Keep your purchase receipt as proof of purchase.

Visit the [PrimeCables Store](#) for more products and information.