

Manuals+

[Q & A](#) | [Deep Search](#) | [Upload](#)

[manuals.plus](#) /

> [VIVO](#) /

> [VIVO Pneumatic Arm Dual Ultrawide Monitor Extra Tall Desk Mount Instruction Manual](#)

VIVO STAND-V120K

VIVO Pneumatic Arm Dual Ultrawide Monitor Desk Mount

Model: STAND-V120K

Brand: VIVO

IMPORTANT SAFETY INFORMATION

Please read this manual thoroughly before installation and use. If you do not understand these instructions or have any doubts about the safety of the installation, please contact a qualified technician. Check for any missing or defective parts. Improper installation may cause damage or serious injury.

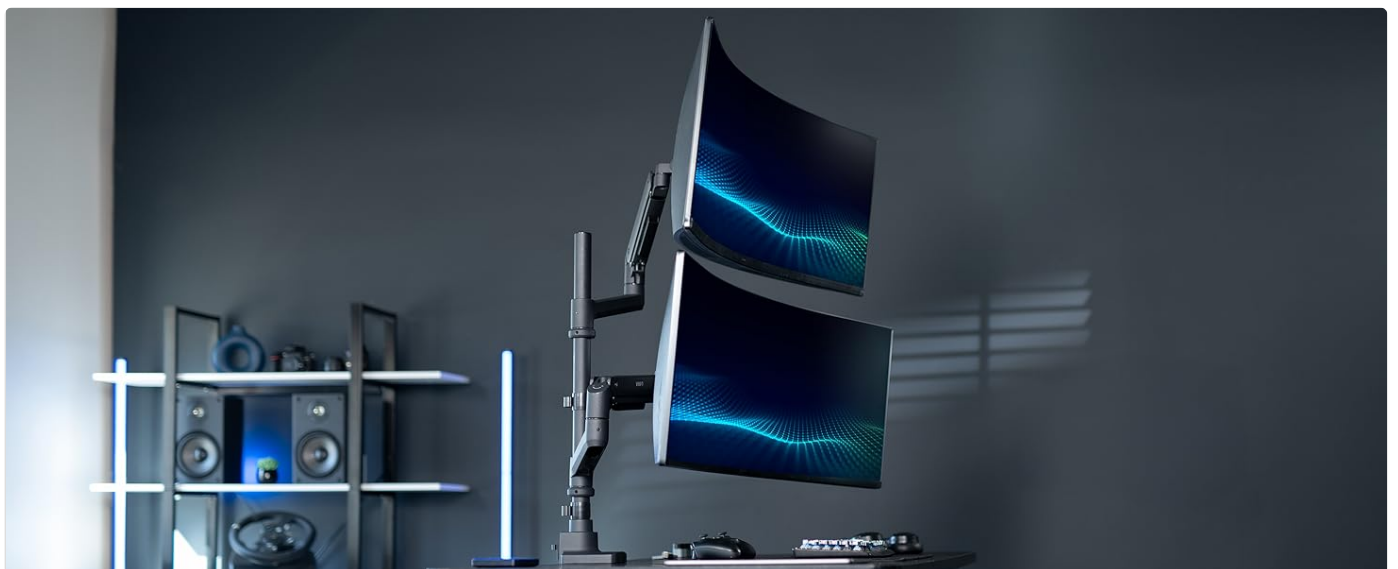
- **Weight Capacity:** Do not exceed the maximum weight capacity of 44 lbs (20 kg) per arm. This mount is designed for screens up to 49 inches (stacked) or 38 inches (side-by-side).
- **Desktop Thickness:** Ensure your desktop thickness is between 0.4 inches and 2 inches for clamp installation, or 0.4 inches and 1.6 inches for grommet installation.
- **VESA Compatibility:** Compatible with VESA 75x75mm or 100x100mm mounting holes.
- **Monitor Stability:** Do not extend monitors too far behind the desk, as this may cause stability issues or accidental desk tip-over.
- **Gas Spring Adjustment:** Always remove thin monitors before adjusting the tilt to prevent damage.

PRODUCT OVERVIEW

The VIVO STAND-V120K is a heavy-duty dual ultrawide monitor desk mount featuring pneumatic arms for easy height adjustment and flexible screen positioning. Its robust cast aluminum construction ensures stability and durability for large monitors.



The VIVO STAND-V120K supporting two large ultrawide monitors.



The extra tall pole provides extended height adjustment and increased flexibility, ideal for standing desks.



Each arm supports monitors weighing between 4.4 lbs and 44 lbs.

SETUP & INSTALLATION

Follow these steps for proper assembly and installation of your VIVO monitor mount. For a visual guide, please refer to the official assembly video below.

[Official VIVO STAND-V120K Assembly Video](#). This video provides a step-by-step visual guide for installing your monitor mount.

Installation Steps:

1. **Attach Clamp to Desktop:** Secure the clamp base to your desktop. Use the provided Allen key to tighten the screw. Ensure the clamp is firmly attached to a stable surface.

OTHERS
stamped steel
Bendable under
pressure



**STRONG.
ZERO FLEX.
CAST ALUMINUM BASE**

The robust cast aluminum clamp base provides a strong foundation.

2. **Slide Pole and Attach Cable Clip:** Slide the main pole over the post on the clamp. Tighten the set screw to secure the pole. Attach the cable clip to the pole for initial cable management.
3. **Remove Height Collar:** Loosen the set screws on the height collar and remove the collar from the pole. This allows for arm installation.
4. **Install Lower Arms and Cable Clips:** Slide the lower arms, additional cable clips, and the height collar onto the pole in the desired order. Secure the lower arms by tightening their respective set screws.
5. **Install Upper Arms:** Slide the upper pneumatic arms into the lower arms. Secure them by tightening the set screws on the lower arms.

6. **Place VESA Brackets:** Place the VESA brackets into the upper arms. Install them using the provided bushings with the hex side facing up.
7. **Attach VESA Plate to Monitor:** Remove the thumbscrew on the VESA bracket and separate the VESA plate. Attach this VESA plate securely to the back of your monitor using the appropriate screws.
8. **Adjust Tilt Joint (Initial):** Firmly hold the VESA bracket in place while adjusting the tilt joint. The tilt joint may require extra tightening to support heavier monitors.
9. **Secure Monitor to VESA Bracket:** Carefully lift your monitor with the attached VESA plate and slide it onto the VESA bracket on the arm. Secure it by re-attaching the thumbscrew. Repeat for the second monitor.
10. **Adjust Gas Spring Tension:** If the monitor won't raise, turn the gas spring adjustment screw counter-clockwise (may take 10-20 turns) to increase support. If the monitor won't lower, turn the screw clockwise to decrease support. Adjust until the monitor holds its position freely.



Adjusting the gas spring tension to ensure proper monitor support.

11. **Manage Cables and Store Allen Keys:** Route all cables through the integrated cable management clips on the arms and pole for a clean setup. Store the Allen keys in the designated slot on the clamp base for future adjustments.



Utilize the built-in cable management for a tidy workspace.

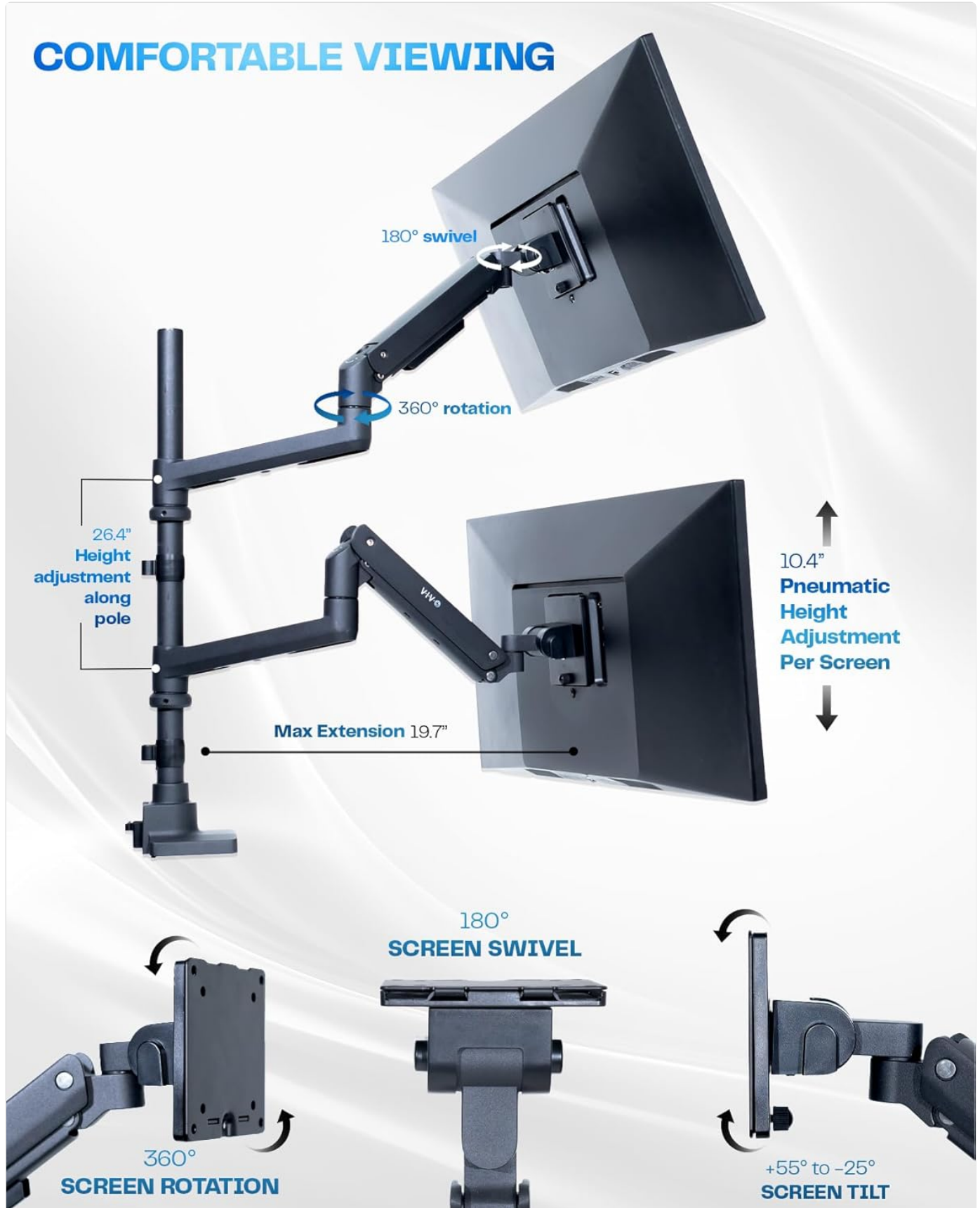
OPERATING INSTRUCTIONS

The VIVO STAND-V120K offers extensive articulation for optimal viewing angles and ergonomic positioning. For a quick overview of features, watch the video below.

Official VIVO STAND-V120K Feature Video. This video highlights the key features and adjustability of the monitor mount.

Adjusting Your Monitors:

- **Height Adjustment:** The powerful pneumatic arms counterbalance your monitors, allowing you to easily raise or lower them to your desired height with a light touch.
- **Tilt:** Adjust the monitor tilt from +55° to -25° to reduce glare and find the perfect viewing angle.
- **Swivel:** Swivel your monitors 180° for collaborative work or to easily share your screen.
- **Rotation:** Rotate your monitors 360° to switch between landscape and portrait orientations as needed.



The mount offers extensive articulation for comfortable viewing.



Explore various monitor configurations to suit your workflow.

MAINTENANCE

To ensure the longevity and optimal performance of your VIVO monitor mount, follow these simple maintenance guidelines:

- **Cleaning:** Wipe down the mount periodically with a soft, damp cloth. Avoid harsh chemicals or abrasive cleaners.

- **Check Connections:** Regularly check all screws and connections to ensure they remain tight and secure. Retighten if necessary.
- **Gas Spring:** The gas spring is designed for long-term use and generally requires no maintenance. If you notice a change in tension, refer to the 'Adjust Gas Spring Tension' section in the Setup & Installation.

TROUBLESHOOTING

If you encounter any issues with your VIVO monitor mount, refer to the common problems and solutions below:

- **Monitor Won't Raise / Sags:** This indicates the gas spring tension is too low for your monitor's weight. Refer to Step 10 in the 'Setup & Installation' section to adjust the gas spring by turning the screw counter-clockwise to increase support.
- **Monitor Won't Lower / Stays Too High:** This indicates the gas spring tension is too high. Refer to Step 10 in the 'Setup & Installation' section to adjust the gas spring by turning the screw clockwise to decrease support.
- **Monitor Wobbles:** Ensure all screws, especially those connecting the VESA plate to the monitor and the arms to the pole, are securely tightened. Check that the desk clamp or grommet mount is also firm.
- **Limited Movement:** Check for any obstructions or cables that might be restricting the arm's movement. Ensure the gas spring tension is correctly adjusted for your monitor's weight.

SPECIFICATIONS

Feature	Detail
Brand	VIVO
Model Number	STAND-V120K
Material	Steel, Aluminum, Plastic
Monitor Size Compatibility	Up to 49 inches (stacked), Up to 38 inches (side-by-side)
Weight Capacity Per Arm	4.4 lbs to 44 lbs (2 kg to 20 kg)
VESA Compatibility	75x75mm, 100x100mm
Pole Height	26.4 inches
Max Screen Height	37.6 inches
Tilt Range	+55° to -25°
Swivel Range	180°
Rotation	360°
Mounting Type	C-Clamp (0.4"-2" thick), Grommet (0.4"-1.6" thick)
Color	Black

WARRANTY & SUPPORT

VIVO products are designed with quality and durability in mind. This product comes with a manufacturer's warranty. For specific warranty details, product support, or to report any issues, please visit the official VIVO website or contact their customer service directly.

VIVO is a US-based company committed to providing high-quality ergonomic solutions and excellent customer support.