



Manuals.plus /

› **Casaottima /**

› Casaottima 40 Inch L-Shaped Computer Desk Instruction Manual

Casaottima SPCB01011501USCP

Casaottima 40 Inch L-Shaped Computer Desk Instruction Manual

Model: SPCB01011501USCP

1. INTRODUCTION

This manual provides detailed instructions for the assembly, usage, and maintenance of your Casaottima 40 Inch L-Shaped Computer Desk. Please read all instructions carefully before beginning assembly and retain this manual for future reference.



Image 1.1: The Casaottima 40 Inch L-Shaped Computer Desk, showcasing its design with a computer setup and storage shelves.

2. SAFETY INFORMATION

Please observe the following safety guidelines to ensure safe use of your desk:

- This desk has a weight limit of 25 pounds. Do not place heavy items on the desk that exceed this limit.
- Always ensure the desk is properly assembled and stable before use.
- Follow the manufacturer's instructions for proper assembly and maintenance.
- This product has not been safety tested by a recognized laboratory.

3. PACKAGE CONTENTS

Before assembly, verify that all components are present and undamaged. All parts are included in the box and clearly labeled. If any parts are missing or damaged, please contact customer support.

Typical package contents include:

- Desktop Panels (Main, Side, Corner)
- Metal Frame Components (Legs, Support Bars)
- Storage Shelf Panels
- PC Stand
- Headphone Hook
- Adjustable Leg Pads

- Assembly Hardware (Screws, Bolts, Allen Wrench)
- Instruction Manual

4. ASSEMBLY INSTRUCTIONS

Assembly is recommended for two people. A screwdriver is recommended for assembly, as not all tools are included. Follow the numbered steps in the provided diagram for best results.

4.1. Reversible Design

The L-shaped desk features a reversible design, allowing you to configure the storage shelves on either the left or right side to suit your space and preference. Plan your desired orientation before beginning assembly.

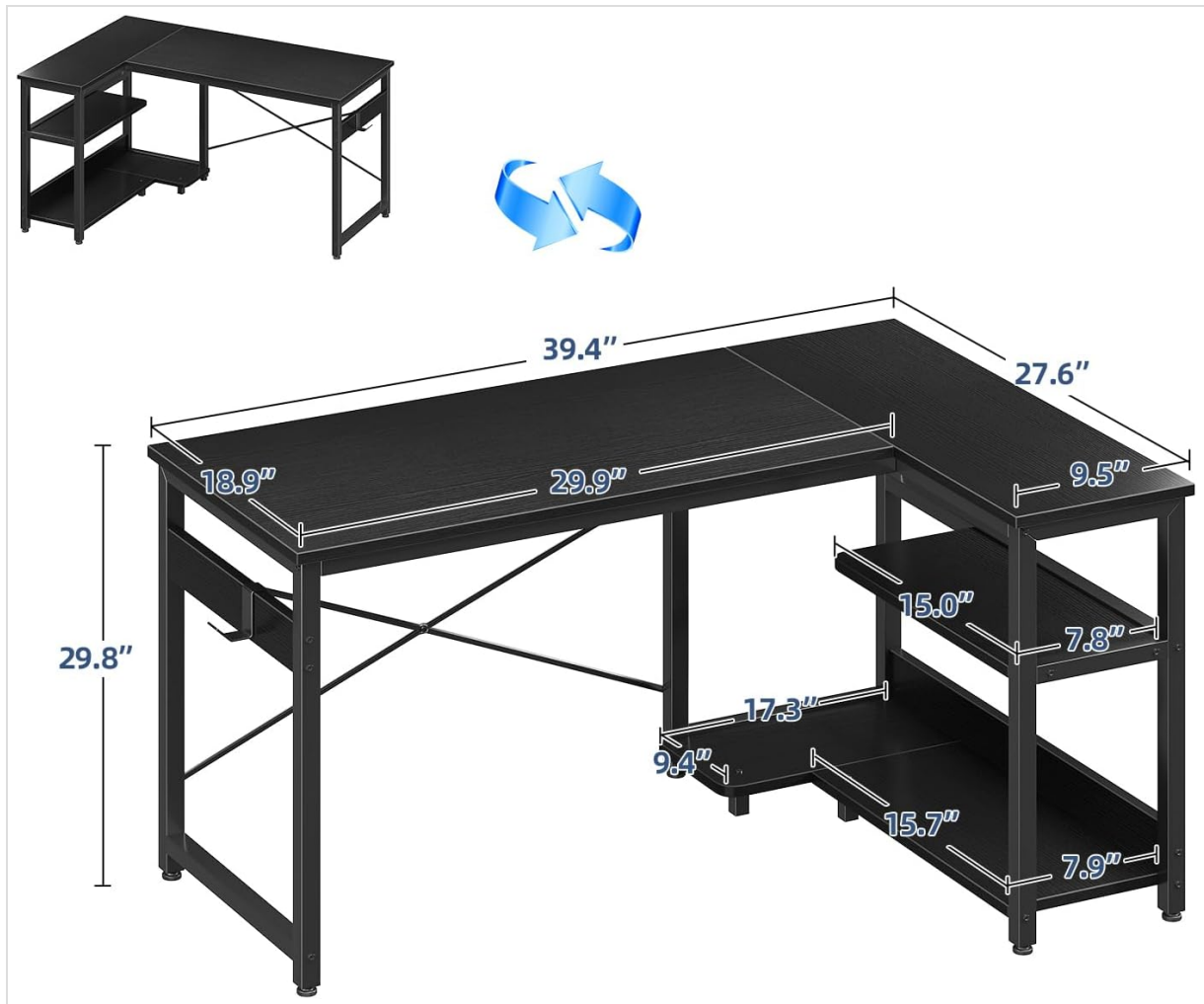


Image 4.1: Dimensional diagram of the desk, illustrating its reversible L-shape configuration.

4.2. Step-by-Step Assembly

1. **Unpack and Identify Parts:** Lay out all components and hardware. Refer to the parts list to ensure everything is present.
2. **Assemble Frame:** Attach the metal frame components according to the diagrams, ensuring all screws are finger-tightened initially.
3. **Attach Desktop Panels:** Secure the main, side, and corner desktop panels to the assembled frame. Pay attention to the orientation for your desired left or right configuration.
4. **Install Storage Shelves and PC Stand:** Mount the two-tier open shelves and the PC stand to the designated frame sections.
5. **Install Headphone Hook:** Attach the headphone hook to the side of the desk frame as shown in the

diagrams.

6. **Attach Adjustable Leg Pads:** Screw the adjustable leg pads into the bottom of each desk leg.
7. **Final Tightening:** Once all parts are in place, systematically tighten all screws and bolts using the provided Allen wrench and your screwdriver. Ensure the desk is stable and level.

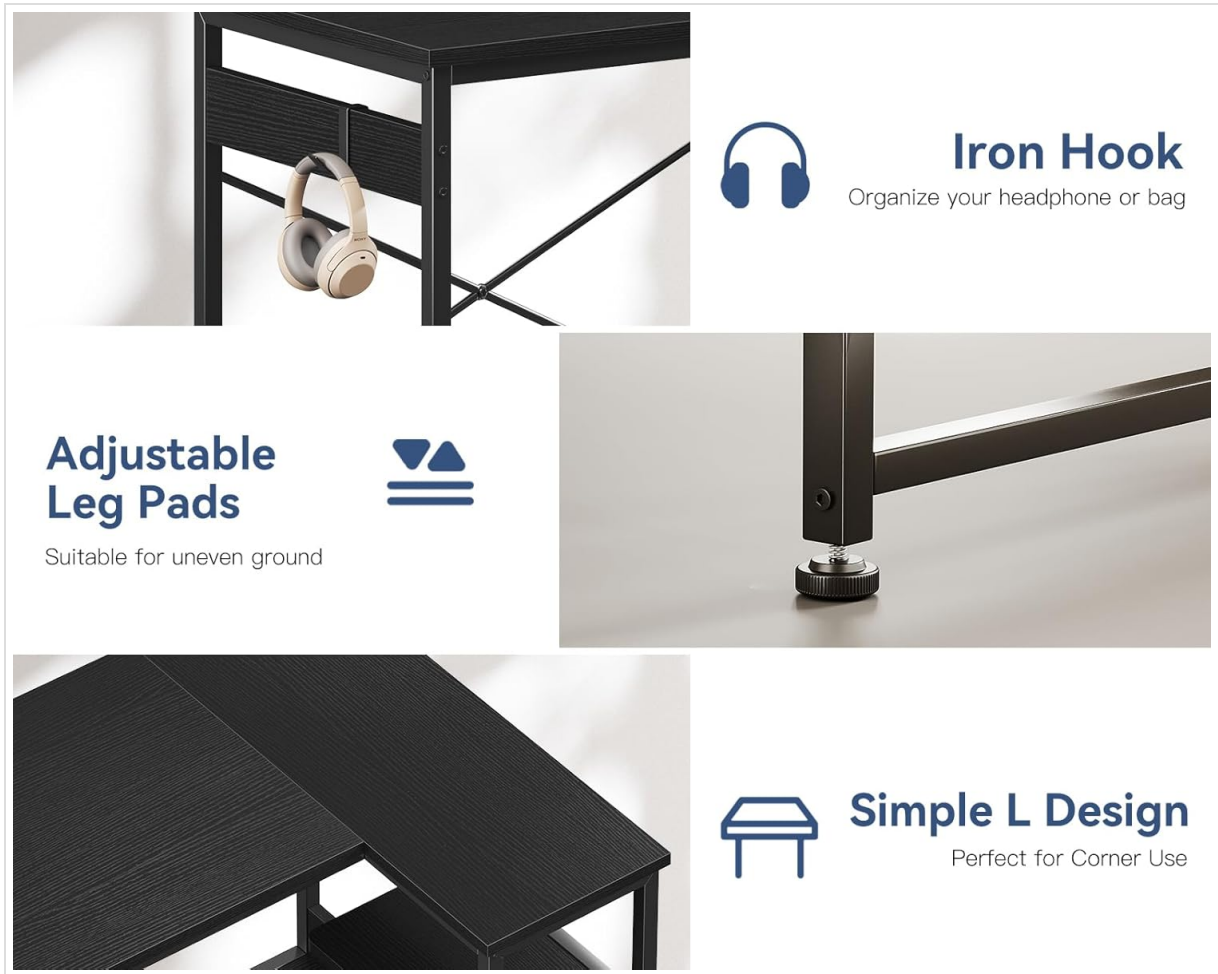


Image 4.2: Details of the headphone hook and adjustable leg pads, which aid in stability on uneven surfaces.

5. USAGE

The Casaottima L-Shaped Computer Desk is designed for versatile use in home offices, bedrooms, or gaming setups.

5.1. Desktop Space

With a main desktop size of 40"L x 18.9"D, the desk provides ample space for monitors, keyboards, and other office essentials. The L-shape maximizes corner space, making it suitable for smaller rooms.



Image 5.1: The desk configured in a home office setting, demonstrating its functional use.

5.2. Storage and Organization

The two-tier open shelves and integrated PC stand offer convenient storage for books, files, computer towers, and other accessories, helping to keep your desktop clear and organized.



Image 5.2: Illustration of the desk's integrated storage shelves and PC stand, designed for efficient space utilization.

5.3. Headphone Hook

Utilize the integrated headphone hook to keep your headphones or bag conveniently stored and easily accessible, reducing clutter on your desk surface.



Image 5.3: Detail of the headphone hook, providing a dedicated spot for accessories.

6. MAINTENANCE

To ensure the longevity and appearance of your desk, follow these maintenance tips:

- **Cleaning:** Wipe surfaces with a soft, damp cloth. Avoid harsh chemicals or abrasive cleaners, which can damage the finish.
- **Check Connections:** Periodically check all screws and bolts to ensure they remain tight. Re-tighten if necessary to maintain stability.
- **Avoid Excessive Weight:** Do not exceed the stated weight limit of 25 pounds to prevent damage to the desk structure.
- **Protect Surfaces:** Use coasters for drinks and pads under hot items to protect the desktop from stains and heat damage.

7. TROUBLESHOOTING

If you encounter any issues with your desk, refer to the following common solutions:

- **Desk is Wobbly:**
 - Ensure all assembly screws and bolts are securely tightened.
 - Adjust the leg pads on the bottom of each leg to level the desk on uneven floors.
- **Missing or Damaged Parts:**
 - If your Casaottima L-shaped desk arrives damaged, missing parts, or scratched, please contact our professional customer support team for assistance.

8. SPECIFICATIONS

Feature	Detail
Brand	Casaottima
Model Number	SPCB01011501USCP
Product Dimensions (D x W x H)	27.6"D x 39.4"W x 29.8"H
Item Weight	25 Pounds
Color	Black
Top Material Type	Engineered Wood
Base Material	Metal
Special Feature	L shaped, Reversible, Storage Shelves, PC Stand, Headphone Hook
Number of Shelves	3 (2 open shelves, 1 PC stand)
Required Assembly	Yes
Recommended Number of People for Assembly	2
Tools Recommended For Assembly	Screw Driver



Image 8.1: Detail of the engineered wood desktop surface with a black finish.

9. WARRANTY AND SUPPORT

The Casaottima L-Shaped Computer Desk comes with a Limited Warranty. For specific warranty details, please refer to your purchase documentation or contact Casaottima customer service.

If you experience any issues such as damaged, missing, or scratched parts upon arrival, please contact our professional customer support team. We are committed to helping you resolve any problems within 24 hours.

For support, please visit the Casaottima Store on Amazon or refer to the contact information provided with your product packaging.