

NGDOLAOV RDCBC-1P 32-63A

NGDOLAOV RDCBC-1P Intelligent Timer Circuit Breaker User Manual

Model: RDCBC-1P 32-63A | Brand: NGDOLAOV

1. IMPORTANT SAFETY INFORMATION

Please read this manual carefully before installation and operation. Failure to follow these instructions may result in electrical shock, fire, or other hazards.

- This device is a **relay type** and **does not provide short circuit or overload protection**. It is designed for remote switching and timing functions only.
- Installation should be performed by a qualified electrician in accordance with all local and national electrical codes.
- Always disconnect power at the main circuit breaker before installing or servicing the device.
- Do not operate the device with wet hands or in damp conditions.
- Ensure all wiring connections are secure and correctly terminated.

2. PRODUCT OVERVIEW

The NGDOLAOV RDCBC-1P is an intelligent timer circuit breaker designed for remote control and automation of electrical circuits. It functions as a relay switch, enabling remote on/off control, scheduling, and scene-based automation via a connected application. This device is suitable for DIN rail mounting.

Key Features:

- Remote control anytime, anywhere via a smart application.
- Programmable timer for scheduled on/off operations.
- Scene setting capabilities for automated actions (e.g., 'Home' or 'Away' modes).
- Device sharing functionality with family and friends.
- Standard 18 mm DIN rail mounting for easy integration.

3. PACKAGE CONTENTS

- 1 x NGDOLAOV RDCBC-1P Intelligent Timer Circuit Breaker (32-63A model)
- 1 x User Manual (this document)

4. INSTALLATION

The RDCBC-1P is designed for standard 18mm DIN rail mounting.

1. **Power Disconnection:** Before starting any installation, ensure the main power supply to the circuit is completely disconnected at the service panel.
2. **Mounting:** Snap the RDCBC-1P onto a standard 18mm DIN rail within your electrical panel.
3. **Wiring:** Refer to the diagram below for correct wiring connections.





Figure 1: Front view of the RDCBC-1P Intelligent Timer Circuit Breaker. This image displays the front of the RDCBC-1P intelligent timer circuit breaker. It shows the 'N', 'IN', 'L' terminals at the top for input wiring and 'N', 'OUT', 'L' terminals at the bottom for output wiring. The model number 'RDCBC-1P' and voltage '~230V/50Hz' are visible, along with a circular button marked 'CT' for manual control or pairing.

- Connect the incoming Neutral wire to the 'N IN' terminal.
- Connect the incoming Live wire to the 'L IN' terminal.
- Connect the outgoing Neutral wire to the 'N OUT' terminal.
- Connect the outgoing Live wire to the 'L OUT' terminal.

Ensure all connections are tight and secure. This device adheres to standards GB109631/IEC60898.

5. SETUP

To utilize the intelligent features of the RDCBC-1P, you will need to pair it with a compatible smart home application (e.g., Tuya Smart, Smart Life).

1. **Power On:** After installation, restore power to the circuit. The device's indicator light should illuminate.
2. **Download App:** Download the recommended smart home application from your device's app store.
3. **Register/Login:** Create an account or log in to the application.
4. **Enter Pairing Mode:** Press and hold the 'CT' button on the front of the circuit breaker for approximately 5-7 seconds until the indicator light starts blinking rapidly. This indicates it is in pairing mode.
5. **Add Device in App:** In the application, select 'Add Device' or the '+' icon. Follow the on-screen instructions to discover and connect your RDCBC-1P. Ensure your smartphone is connected to a 2.4GHz Wi-Fi network, as the device does not support 5GHz Wi-Fi.
6. **Name Device:** Once paired, you can rename the device for easy identification within the app.

6. OPERATING INSTRUCTIONS

Once the RDCBC-1P is successfully paired with your smart home application, you can control it remotely and set up various automations.

6.1 Remote Control

From the application interface, you can turn the connected circuit ON or OFF from anywhere with an internet connection.

6.2 Timer On/Off

Set schedules for the circuit breaker to automatically turn on or off at specific times or on certain days of the week. This is ideal for lighting, water heaters, or other appliances.

6.3 Scene Settings

Create custom scenes to automate multiple devices or actions with a single command or trigger.

- **Home Scene:** Configure a scene to turn on lights, the water heater, or air conditioning when you arrive home.
- **Away Scene:** Set a scene to turn off all lights, the water heater, and other appliances when you leave.

6.4 Device Sharing

Share control of your RDCBC-1P with family members or trusted individuals through the application's sharing feature.

7. MAINTENANCE

The NGDOLAOV RDCBC-1P is designed for reliable operation with minimal maintenance.

- Keep the device clean and dry. Use a soft, dry cloth for cleaning.
- Do not use abrasive cleaners or solvents.
- There are no user-serviceable parts inside. Do not attempt to open or repair the device.
- Periodically check wiring connections for tightness, especially after initial installation.

8. TROUBLESHOOTING

8.1 Device Not Responding

- **Check Power:** Ensure the circuit breaker has power and its indicator light is on.
- **Wi-Fi Connection:** Verify your Wi-Fi router is working and the device is within range. Re-pair the device if necessary.
- **App Status:** Check if the device appears online in your smart home application.

8.2 Timer/Scene Not Activating

- **App Settings:** Double-check the timer or scene configurations in your application for correct times and conditions.
- **Internet Connection:** Ensure your smart home hub or the device itself has a stable internet connection for cloud-based automations.

9. SPECIFICATIONS

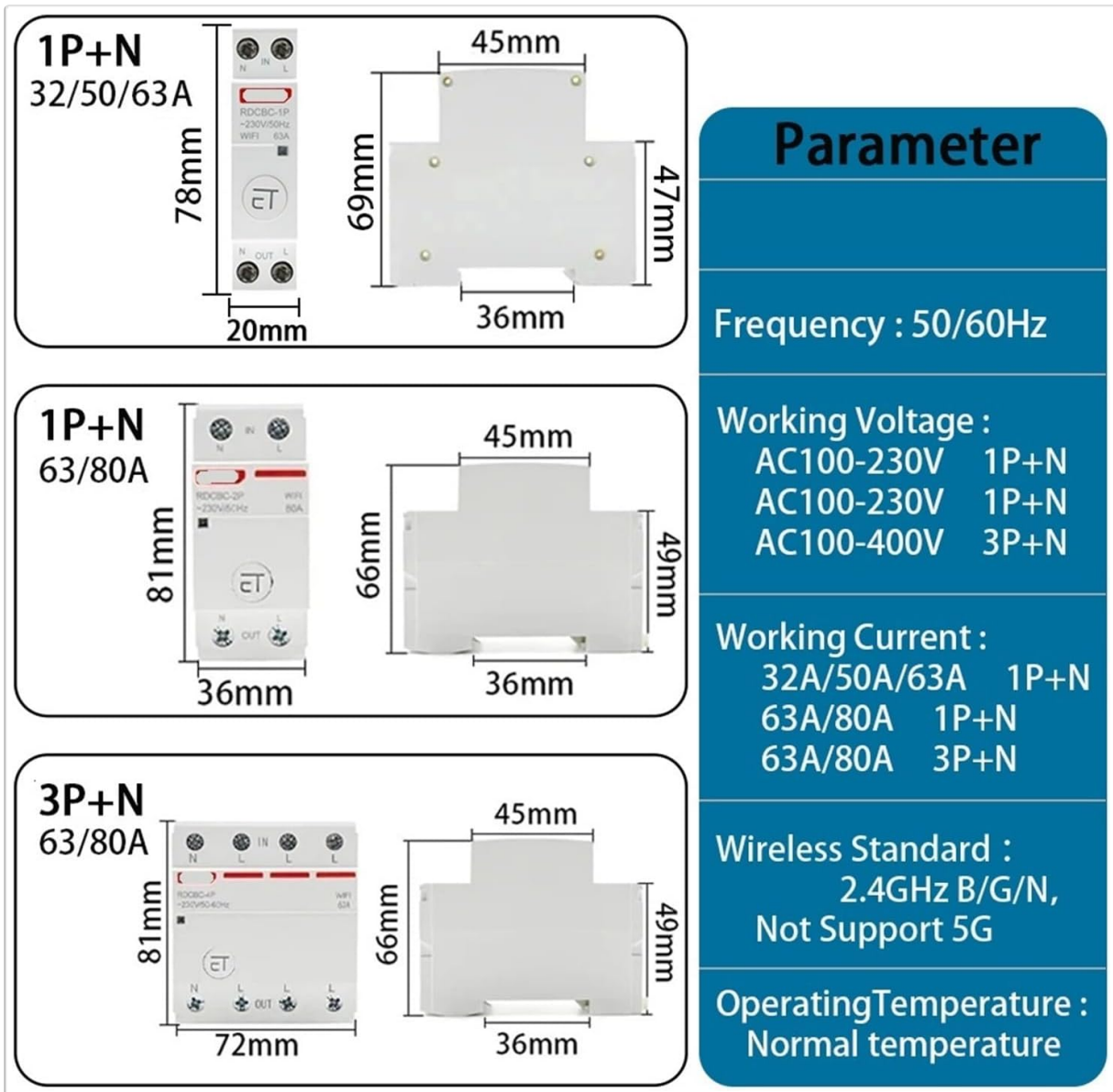


Figure 2: Dimensional drawings and technical parameters for RDCBC series circuit breakers. This image provides detailed dimensional drawings and technical parameters for the RDCBC series. It includes diagrams for 1P+N (32/50/63A), 1P+N (63/80A), and 3P+N (63/80A) models, showing their respective heights, widths, and depths. A table of parameters lists Frequency (50/60Hz), Working Voltage (AC100-230V for 1P+N, AC100-400V for 3P+N), Working Current (32A/50A/63A/80A depending on model), Wireless Standard (2.4GHz B/G/N, not supporting 5G), and Operating Temperature (Normal temperature).

Parameter	Value
Standard	GB109631/IEC60898
Rated Voltage	AC100-240V (1P+N, single phase), AC100-400V (3P+N, three phase)
Rated Current (RDCBC-1P)	32A / 50A / 63A
Frequency	50/60Hz
Number of Poles	1P+N (for RDCBC-1P model)
Wireless Standard	2.4GHz B/G/N (Does not support 5G)
Operating Temperature	Normal temperature
Dimensions (RDCBC-1P)	Approx. 20mm (W) x 78mm (H) x 45mm (D)
Item Weight	Approx. 1.76 ounces (50g)

10. WARRANTY AND SUPPORT

NGDOLAOV products are manufactured to high-quality standards. For warranty information, please refer to the terms and conditions provided at the point of purchase or contact your retailer.

For technical support or inquiries, please contact NGDOLAOV customer service through the contact information provided on the product packaging or the official website.