



Manuals.plus /

› BQMAX /

› Adjustable Warming Rack Instruction Manual

BQMAX 15.15" - 26.5"

Adjustable Warming Rack Instruction Manual

Model: 15.15" - 26.5" | Brand: BQMAX

INTRODUCTION

This manual provides detailed instructions for the installation, operation, and maintenance of your new BQMAX Adjustable Warming Rack. This replacement part is designed to fit various Charbroil Performance 3 and 4 burner grill models, enhancing your grilling experience by maintaining food temperature and ensuring even heat distribution.



Image: The BQMAX Adjustable Warming Rack, showcasing its design and intended use with a grill.

PRODUCT FEATURES

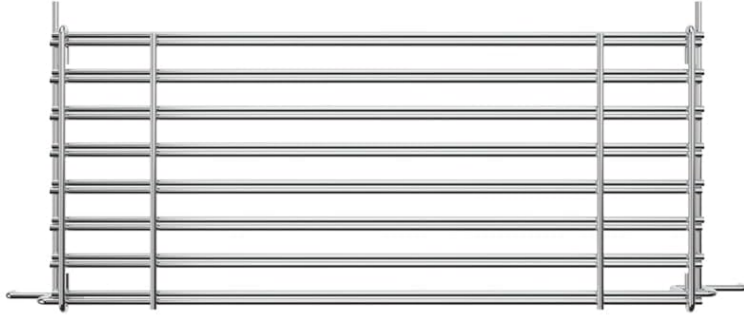
- **Adjustable Length:** Designed to extend from 15.15 inches to 26.5 inches, accommodating various grill sizes.
- **Durable Construction:** Made from robust materials for long-lasting performance.
- **Even Heat Distribution:** Helps maintain consistent food temperature and ensures thorough cooking.
- **Foldable Design:** Allows for compact storage when not in use.



*Adjustable Warming Rack
for Charbroil Performance*



Image: Detailed views highlighting the adjustable mechanism, sturdy hooks, and grid pattern of the warming rack.



Expandable
Grills a wide range
of foods

Foldable Storage
Adjustable warming
rack for charbroil
performance 3/4/5
burner

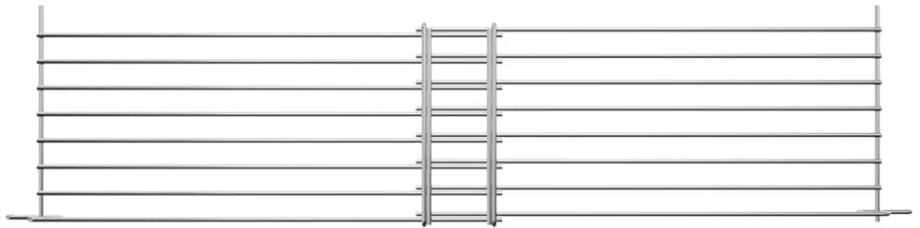


Image: Visual representation of the warming rack's expandability and its ability to fold for storage.

COMPATIBILITY

This adjustable warming rack is designed as a replacement part for various Charbroil Performance grill models. Please verify your grill model number for compatibility.

Compatible Charbroil Performance 3 Burner Grill Models:

- 463732823
- 463732623
- 463732723
- 463732923

Compatible Charbroil Performance 4 Burner Grill Models:

- 463354021

- 463352521
- 463331021
- 463341421
- 463341221
- 463331221
- 463351021
- 463351521
- 463352021
- 463468221
- 463365021
- 463351221
- 463365522
- 463366022
- 463350922
- 463350722
- 463341021
- 463350521
- 463330521
- 463353021
- 463353521
- 463331422

Compatible Models for Charbroil



Fit for Charbroil Performance 3 Burner Grill
463732823 463732623
463732723 463732923

Fit for Charbroil Performance 4 Burner Grill
463354021 463352521 463331021
463341421 463341221 463331221
463351021 463351521 463352021
463354021 463468221 and more



Image: Visual guide indicating Charbroil Performance 3 and 4 burner grill models compatible with this warming rack.

DIMENSIONS

The BQMAX Adjustable Warming Rack offers flexible dimensions to fit various grill configurations.

- **Adjustable Length:** 15.15 inches to 26.5 inches
- **Width:** 6.75 inches

Dimensions

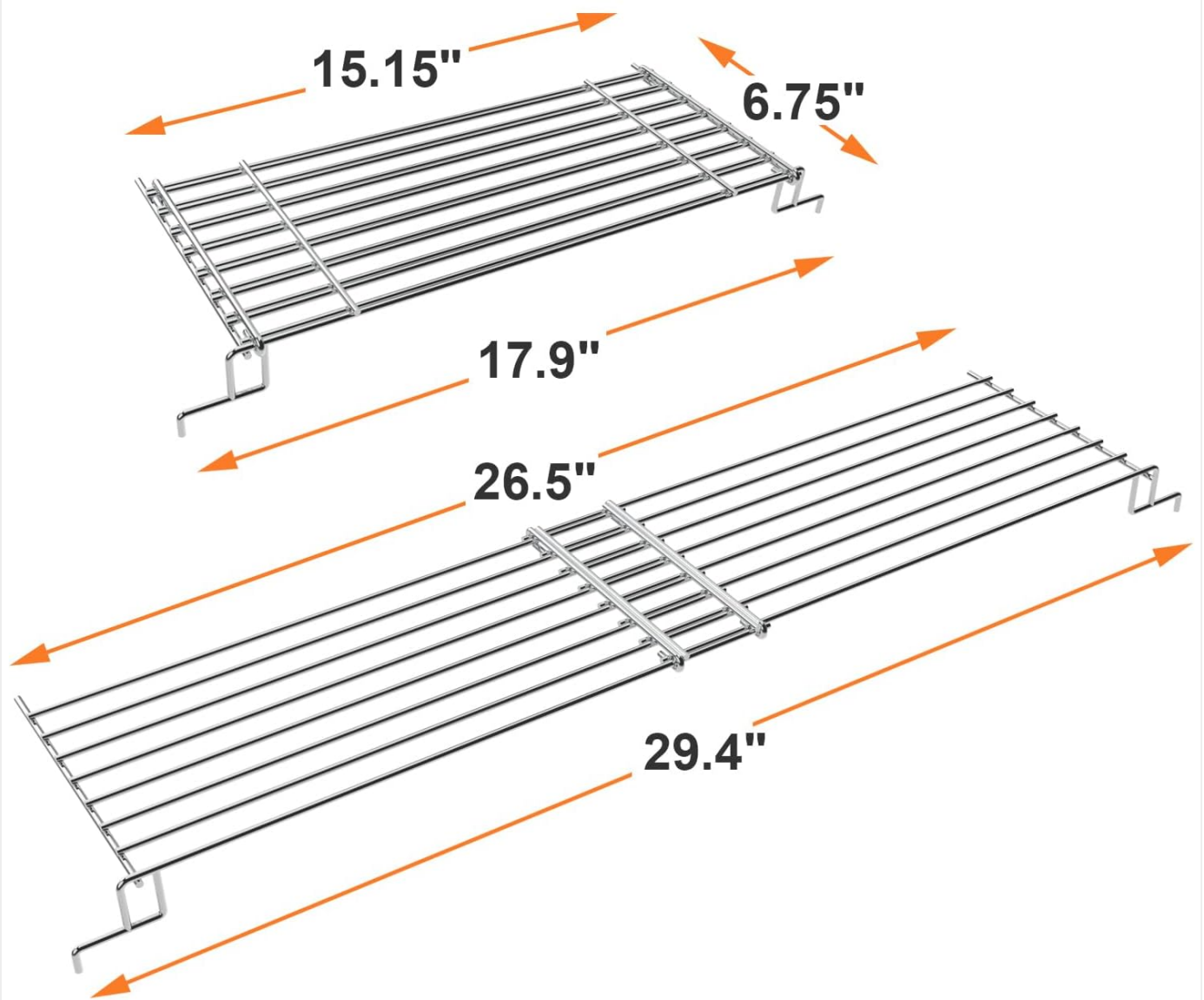


Image: A diagram showing the minimum and maximum lengths (15.15" to 26.5") and the constant width (6.75") of the warming rack.

SETUP AND INSTALLATION

Installation of the BQMAX Adjustable Warming Rack is designed to be quick and straightforward.

1. **Prepare Grill:** Ensure your grill is cool and clean before installation. Remove any existing warming rack if present.
2. **Adjust Length:** Extend the warming rack to the desired length to fit the internal dimensions of your grill. The rack is designed to expand smoothly.
3. **Position Rack:** Carefully place the warming rack onto the designated support brackets or slots within your grill. Ensure the hooks or support points are securely seated.
4. **Verify Stability:** Gently test the stability of the installed rack to ensure it is firm and level before use.



Image: A close-up showing the warming rack properly installed within a grill, demonstrating its fit.



Image: A complete view of a grill with the warming rack in place, ready for use.

OPERATING INSTRUCTIONS

The warming rack is designed to keep cooked food warm without overcooking, and to gently cook delicate items.

- **Warming Food:** Place cooked items such as burgers, hot dogs, or vegetables on the warming rack to keep them warm while other items finish cooking on the main grates.
- **Gentle Cooking:** Use the warming rack for items that require lower, indirect heat, such as corn on the cob, bread, or delicate fish fillets.
- **Even Heat Distribution:** The design of the rack helps to distribute heat evenly, ensuring food remains moist and flavorful.



Image: An example of the warming rack in use, holding various foods while grilling.

MAINTENANCE

Regular cleaning and maintenance will prolong the life of your warming rack.

- **Cleaning After Use:** After each use, allow the rack to cool. Use a grill brush to remove any food residue.
- **Deep Cleaning:** For stubborn residue, wash the rack with warm, soapy water and a non-abrasive sponge. Rinse thoroughly and dry completely to prevent rust.
- **Storage:** When not in use, especially during off-season, clean and dry the rack, then fold it for compact storage in a dry place.

TROUBLESHOOTING

If you encounter any issues with your warming rack, consider the following:

- **Rack Not Fitting:** Ensure the rack is fully extended or retracted to match your grill's dimensions. Double-check your grill model number against the compatibility list.
- **Rack Instability:** Verify that the rack's hooks or support points are correctly seated in the grill's designated slots.
- **Rusting:** Ensure the rack is thoroughly dried after cleaning and stored in a dry environment. Minor surface rust can often be removed with a wire brush and then cleaned.

SPECIFICATIONS

Product Name	Adjustable Warming Rack Replacement Parts
Brand	BQMAX
Model	15.15" - 26.5" (Adjustable)
Adjustable Length	15.15" to 26.5"
Width	6.75"
Item Weight	1.45 pounds
Product Dimensions	8 x 8 x 7 inches (Packaging/Shipping)
Manufacturer	BQMAX
ASIN	B0DFBT8RQ8

SUPPORT AND CONTACT

For any questions, concerns, or assistance with your BQMAX Adjustable Warming Rack, please contact our customer support team. We are committed to providing quality products and a hassle-free shopping experience.

- **Response Time:** Fast response within 24 hours.
- **Online Store:** Visit the BQMAX Store on Amazon for more products and information.

