

Manuals+

[Q & A](#) | [Deep Search](#) | [Upload](#)

manuals.plus /

- › [Bosch](#) /
- › [Bosch SMV4ENX06E Serie 4 Dishwasher User Manual](#)

Bosch SMV4ENX06E

Bosch SMV4ENX06E Serie 4 Dishwasher User Manual

Model: SMV4ENX06E | Brand: Bosch

1. INTRODUCTION

This manual provides essential information for the safe and efficient operation, installation, and maintenance of your Bosch SMV4ENX06E Serie 4 fully integrated dishwasher. Please read this manual thoroughly before using the appliance for the first time.



Image: Front view of the Bosch SMV4ENX06E dishwasher with the door open, revealing the interior racks.

Key Features:

- **Home Connect:** Remote control, digital manuals, and usage tips via smartphone app.
- **EfficientDry:** Automatic door opening at the end of the cycle for enhanced drying.
- **Extra Space Third Basket:** Provides additional loading capacity for various utensils and small items, including a movable knife compartment.
- **Washing Assistant:** App-based program suggestion for optimal cleaning results.
- **Remote Service:** Bosch technical assistance can remotely access the dishwasher for diagnostics and support (with user consent).

2. SAFETY INFORMATION

Always adhere to the following safety guidelines to prevent injury or damage to the appliance.

- Read all instructions before use.
- This appliance is intended for household use only.
- Do not allow children to play with, on, or inside the dishwasher.
- Use only detergents and rinse aids specifically designed for dishwashers.
- Sharp items should be loaded with points and edges down to avoid injury.
- Ensure the appliance is properly grounded.
- Do not operate the dishwasher if it is damaged or malfunctioning.

3. SETUP AND INSTALLATION

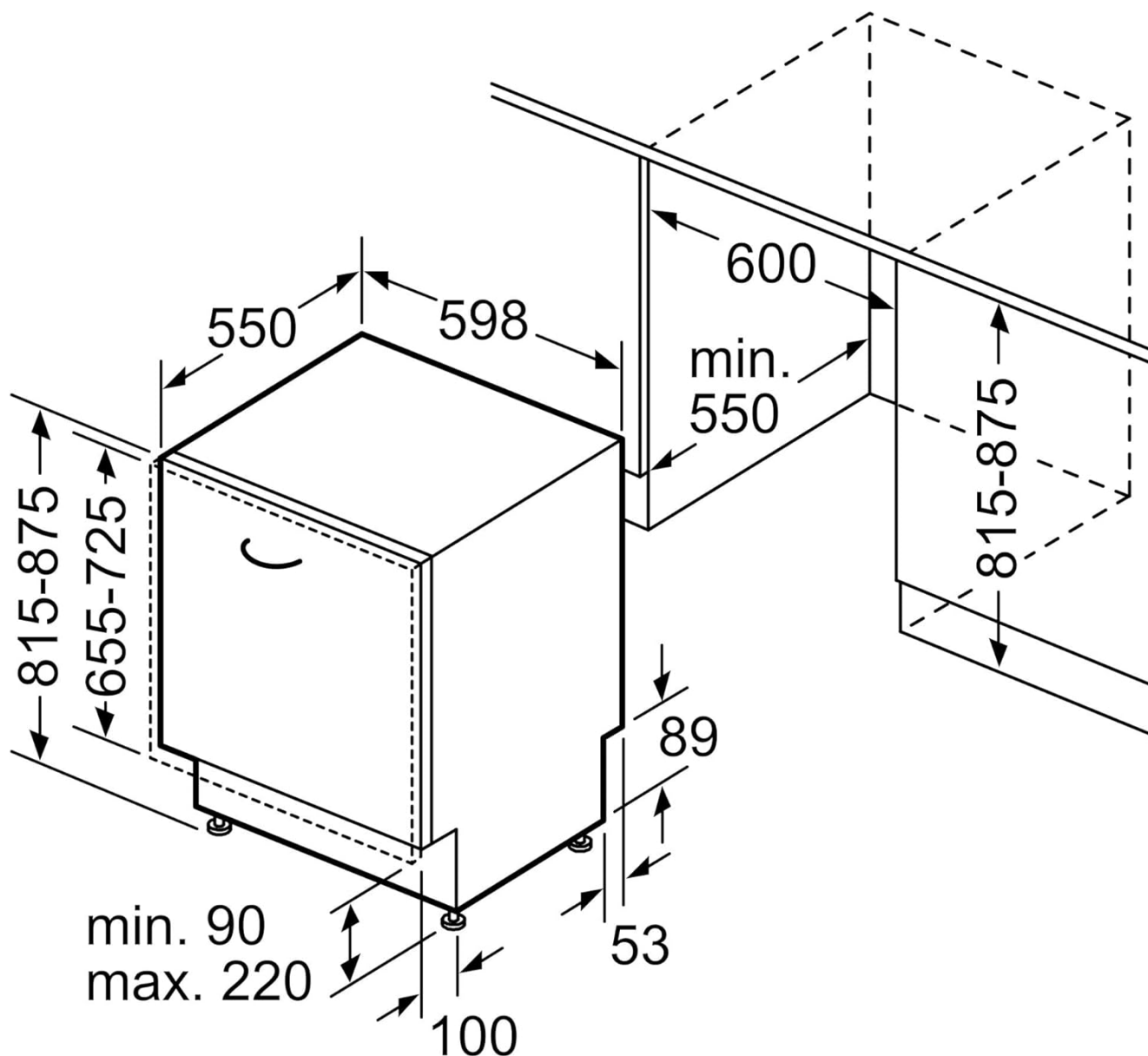
Proper installation is crucial for the performance and longevity of your dishwasher. It is recommended that installation be performed by a qualified technician.

Unpacking:

Carefully remove all packaging materials. Check for any transport damage. If the appliance is damaged, do not install it and contact your supplier.

Positioning:

The dishwasher is designed for full integration into a kitchen cabinet. Ensure adequate space and proper ventilation.



Dimensioni in mm

Image: Technical diagram showing the precise dimensions for installing the dishwasher within a cabinet.

Water and Electrical Connection:

- Connect the water inlet hose to a cold water supply with a minimum pressure of 0.05 MPa (0.5 bar) and a maximum of 1 MPa (10 bar).
- Ensure the drain hose is properly connected to a waste pipe or sink trap, preventing kinks.
- Connect the appliance to a grounded electrical outlet (240V). Do not use extension cords or multiple sockets.

Initial Use:

Before the first wash cycle, fill the salt dispenser and rinse aid dispenser according to the instructions in the full manual. Run an empty cycle to clean the interior.

4. OPERATING INSTRUCTIONS

Your Bosch dishwasher offers various programs and features for optimal cleaning.

Loading the Dishwasher:

Proper loading ensures effective cleaning and drying. Utilize the flexible baskets and the Extra Space third basket for cutlery and small items.

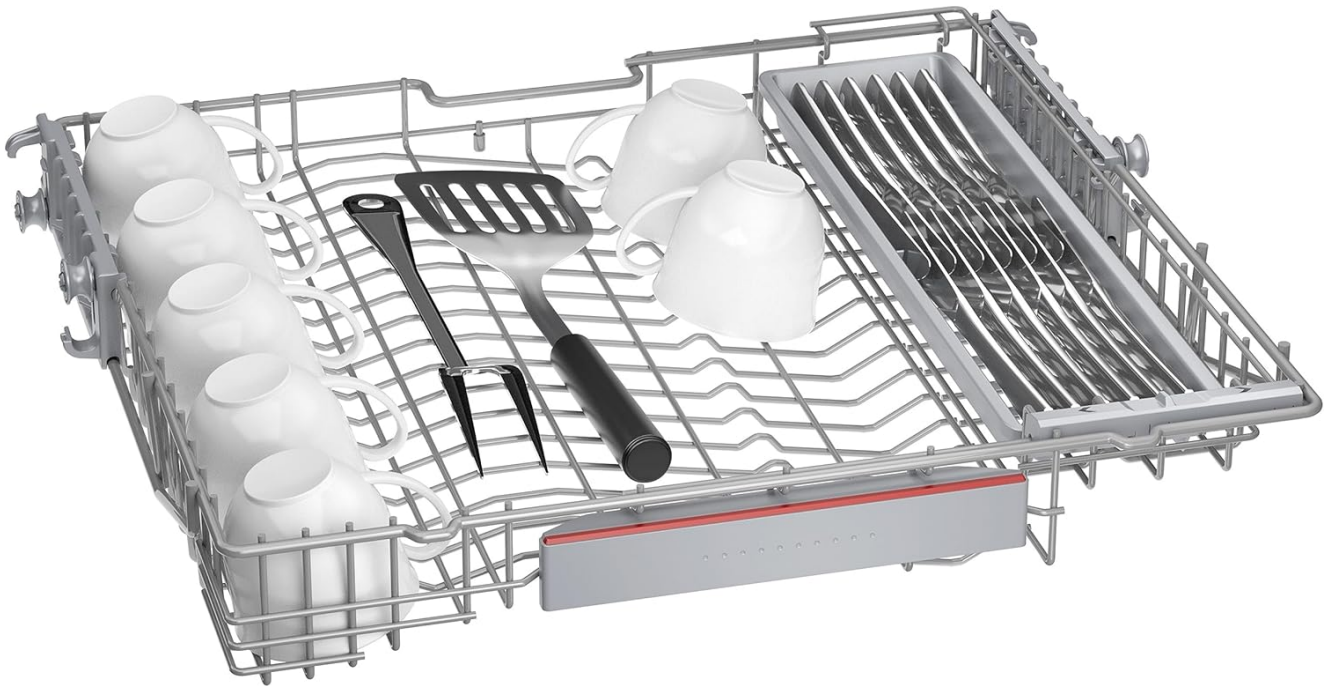


Image: Close-up of the Extra Space third basket, designed to hold cutlery, small bowls, and other utensils.

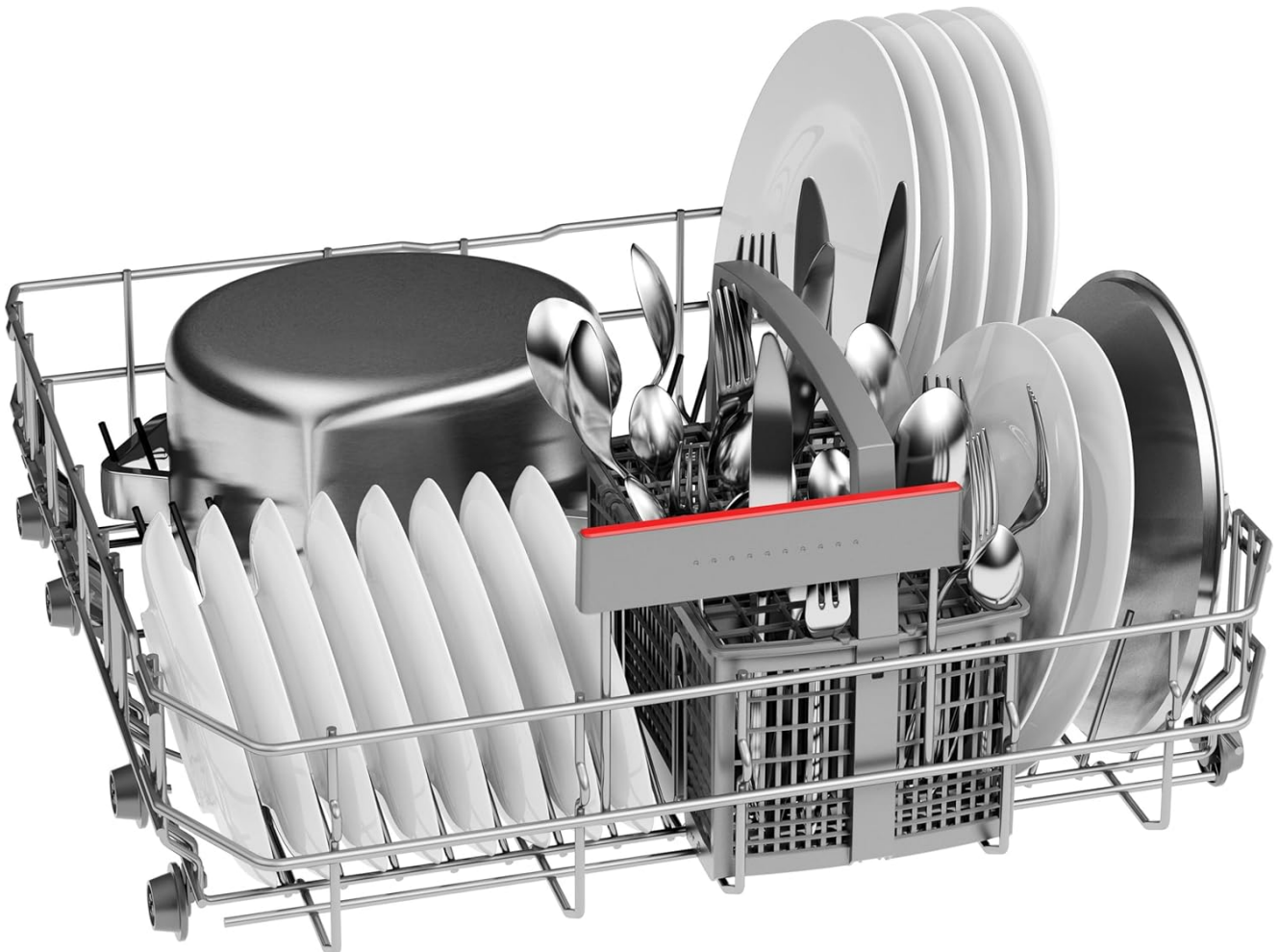


Image: The lower basket of the dishwasher, showing an arrangement of plates and a cutlery basket.

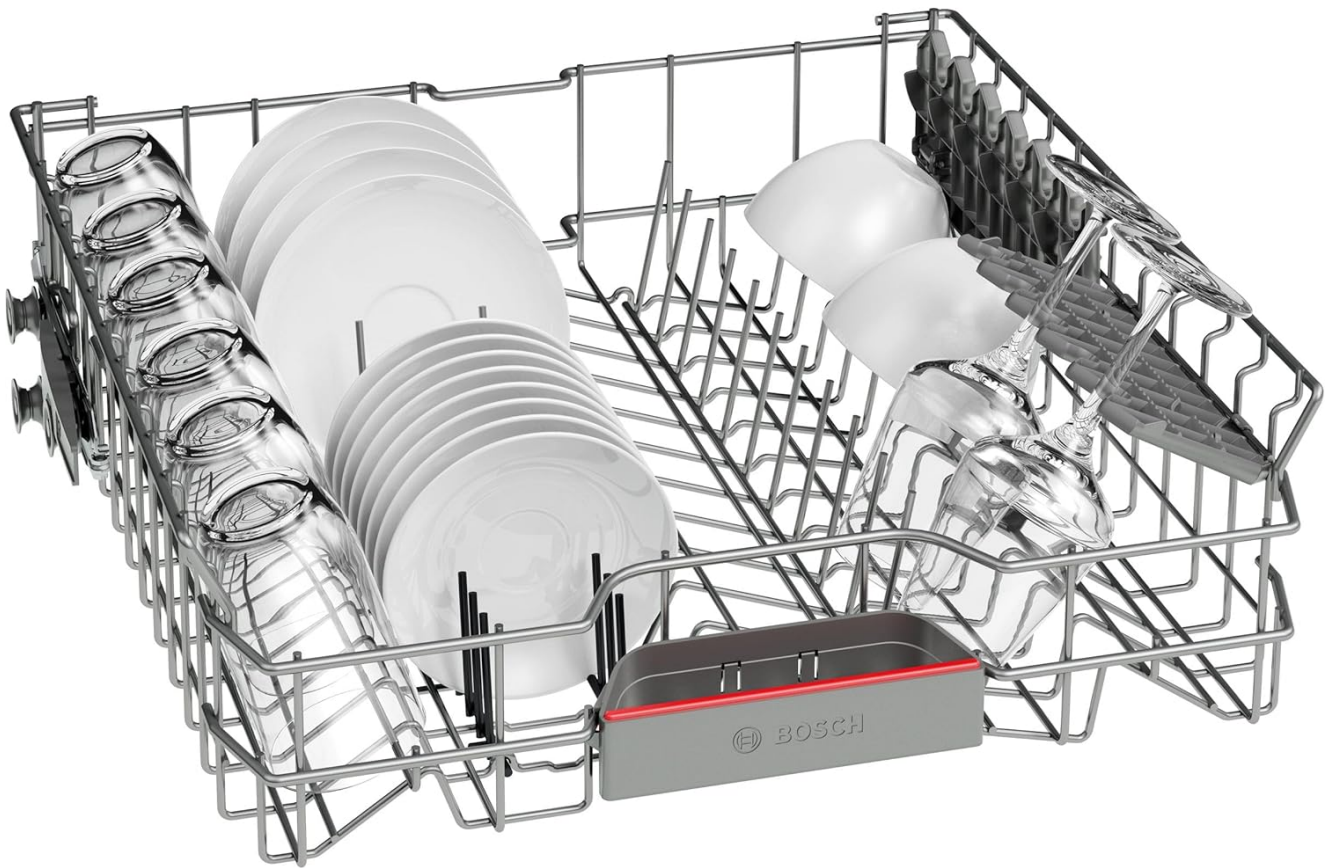


Image: The upper basket of the dishwasher, demonstrating how to load glasses and small bowls.

Adding Detergent:

Use dishwasher tablets, powder, or gel. Place the detergent in the dispenser before starting a program.



Image: The open detergent dispenser, showing a dishwasher tablet placed inside, ready for a wash cycle.

Selecting a Program:

Your dishwasher offers multiple programs. Refer to the control panel for options.

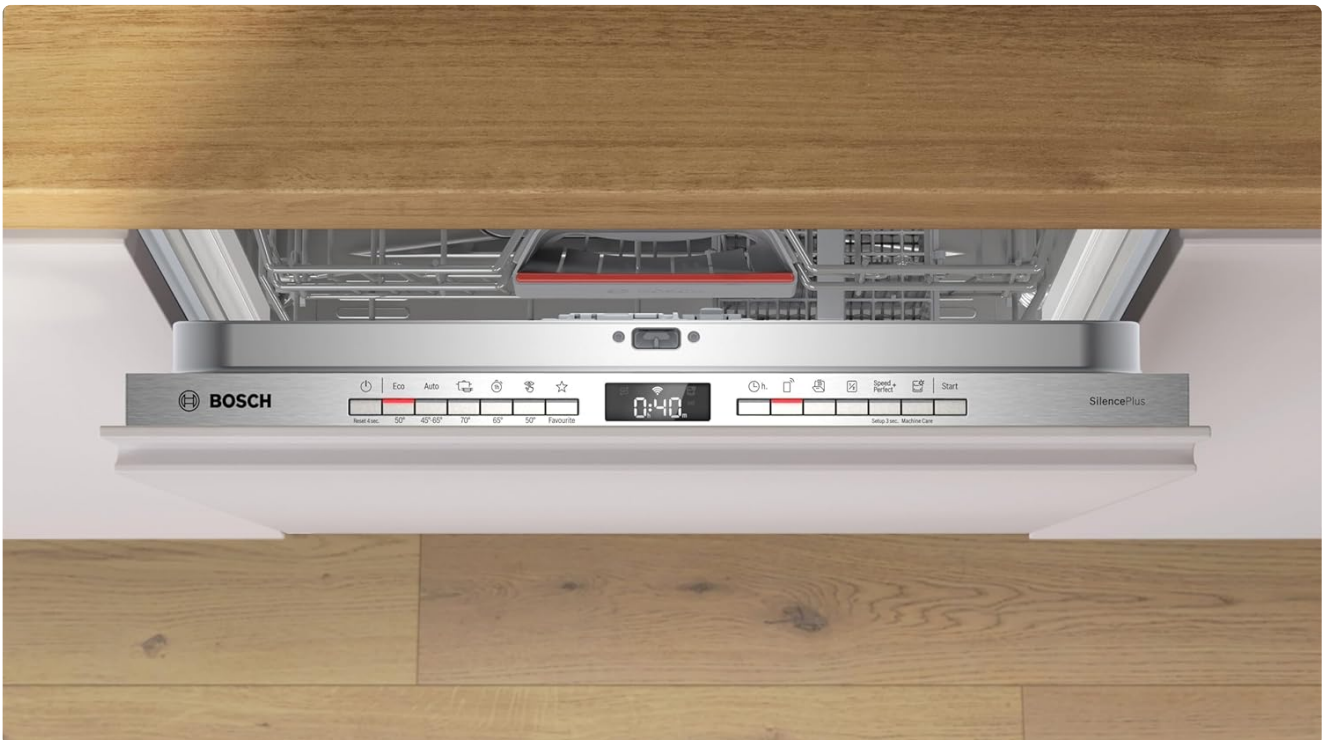


Image: Close-up of the dishwasher's control panel, featuring a digital display and various program selection buttons.

Starting a Program:

Close the door firmly. Select your desired program and press the Start button. The InfoLight (a red light projected onto the floor) indicates the dishwasher is operating.



Image: A red light, known as InfoLight, projected onto the floor from the base of the dishwasher, indicating operation.

Home Connect Features:

Download the Home Connect app to your smartphone. Follow the in-app instructions to connect your dishwasher. This allows for remote control, program selection, and access to the Washing Assistant.

5. MAINTENANCE AND CARE

Regular maintenance ensures optimal performance and extends the life of your dishwasher.

Cleaning the Filters:

The filter system should be checked and cleaned regularly to prevent blockages and ensure efficient washing. Remove the coarse and fine filters, rinse them under running water, and reassemble.

Cleaning the Spray Arms:

Check the spray arm nozzles for any blockages. Remove any debris with a pointed object.

Adding Salt and Rinse Aid:

Monitor the indicator lights for salt and rinse aid. Refill as needed to ensure proper water softening and streak-free drying.

Exterior Cleaning:

Wipe the exterior surfaces with a soft, damp cloth. Do not use abrasive cleaners or solvents.

6. TROUBLESHOOTING

Before contacting service, try these common troubleshooting steps.

Problem	Possible Cause	Solution
Dishes not clean	Improper loading, clogged spray arms, insufficient detergent, incorrect program.	Reload dishes correctly, clean spray arms, add more detergent, select appropriate program.
Water not draining	Clogged filter, kinked drain hose, blocked drain pump.	Clean filters, check drain hose for kinks, clear drain pump.
Dishwasher not starting	Door not closed properly, power supply issue, program not selected.	Ensure door is latched, check power connection, select a program and press Start.
Dishes are wet after cycle	Rinse aid low, EfficientDry not enabled, plastic items.	Refill rinse aid, ensure EfficientDry is active, allow extra drying time for plastics.

For more complex issues, consult the full user manual or contact Bosch customer service.

7. SPECIFICATIONS

Attribute	Value
Model Number	SMV4ENX06E
Installation Type	Fully Integrated Built-in
Product Dimensions (WxDxH)	59 cm x 55 cm x 81 cm
Weight	35 kg
Noise Level	42 dB
Capacity	13 Place Settings
Voltage	240V
Number of Programs	7
Included Components	1x Dishwasher

8. WARRANTY AND SUPPORT

Your Bosch SMV4ENX06E dishwasher comes with a manufacturer's warranty. For specific details regarding warranty coverage, duration, and terms, please refer to the documentation provided with your appliance or visit the official Bosch website for your region.

For technical assistance, troubleshooting not covered in this manual, or to schedule a service appointment, please contact Bosch customer support. Have your model number (SMV4ENX06E) and purchase date ready when contacting support.

Online Resources:

- Bosch Official Website: www.bosch-home.com

- Home Connect App: Available on iOS and Android app stores.