



Manuals.plus /

- › Bosch /
- › Bosch SMV4HVX07E Serie 4 Fully Integrated Dishwasher User Manual

## Bosch SMV4HVX07E

# Bosch SMV4HVX07E Serie 4 Fully Integrated Dishwasher User Manual

Model: SMV4HVX07E

## 1. INTRODUCTION

---

Thank you for choosing the Bosch SMV4HVX07E Serie 4 Fully Integrated Dishwasher. This manual provides essential information for the safe and efficient installation, operation, maintenance, and troubleshooting of your appliance. Please read these instructions carefully before using the dishwasher and keep them for future reference.

## 2. SAFETY INFORMATION

---

Always observe the following safety precautions to prevent personal injury or damage to the appliance:

- Read all instructions before use.
- This appliance is intended for domestic use only.
- Do not allow children to play with or operate the dishwasher.
- Ensure the appliance is properly earthed.
- Do not open the door during operation, especially during the hot wash cycle.
- Use only detergents and rinse aids specifically designed for automatic dishwashers.
- Sharp items should be loaded with points down to avoid injury.
- In case of malfunction, switch off the appliance and disconnect it from the power supply before attempting any repairs. Contact authorized service personnel.

## 3. PRODUCT OVERVIEW

---

The Bosch SMV4HVX07E is a Serie 4 fully integrated dishwasher designed for seamless integration into your kitchen. It features advanced technologies for efficient cleaning and user convenience.

### Key Features:

- **Home Connect:** Control the dishwasher remotely, access digital instruction manuals, and consult useful usage tips directly from your smartphone via the Home Connect App.
- **Remote Diagnostics:** With your consent, Bosch technical assistance can remotely access your dishwasher to check its status, provide advice, and schedule a home visit if the issue cannot be resolved remotely.
- **InfoLight:** A red LED spot on the floor indicates when the dishwasher is in operation, useful for fully integrated models.
- **Programme Download:** Download additional programs via the Home Connect app to suit specific washing needs.
- **Washing Assistant:** Answer a few simple questions via the Home Connect app, and the system will suggest the most suitable program.



Front view of the Bosch SMV4HVX07E dishwasher, fully integrated into kitchen cabinetry. The door is open, revealing the spacious interior with upper and lower racks, and the discreet control panel located on the top edge of the door.





A red LED light spot, known as InfoLight, projected onto the kitchen floor. This visual indicator signals that the dishwasher is currently in operation, which is useful for fully integrated models where the cycle status is not visible.

## 4. INSTALLATION

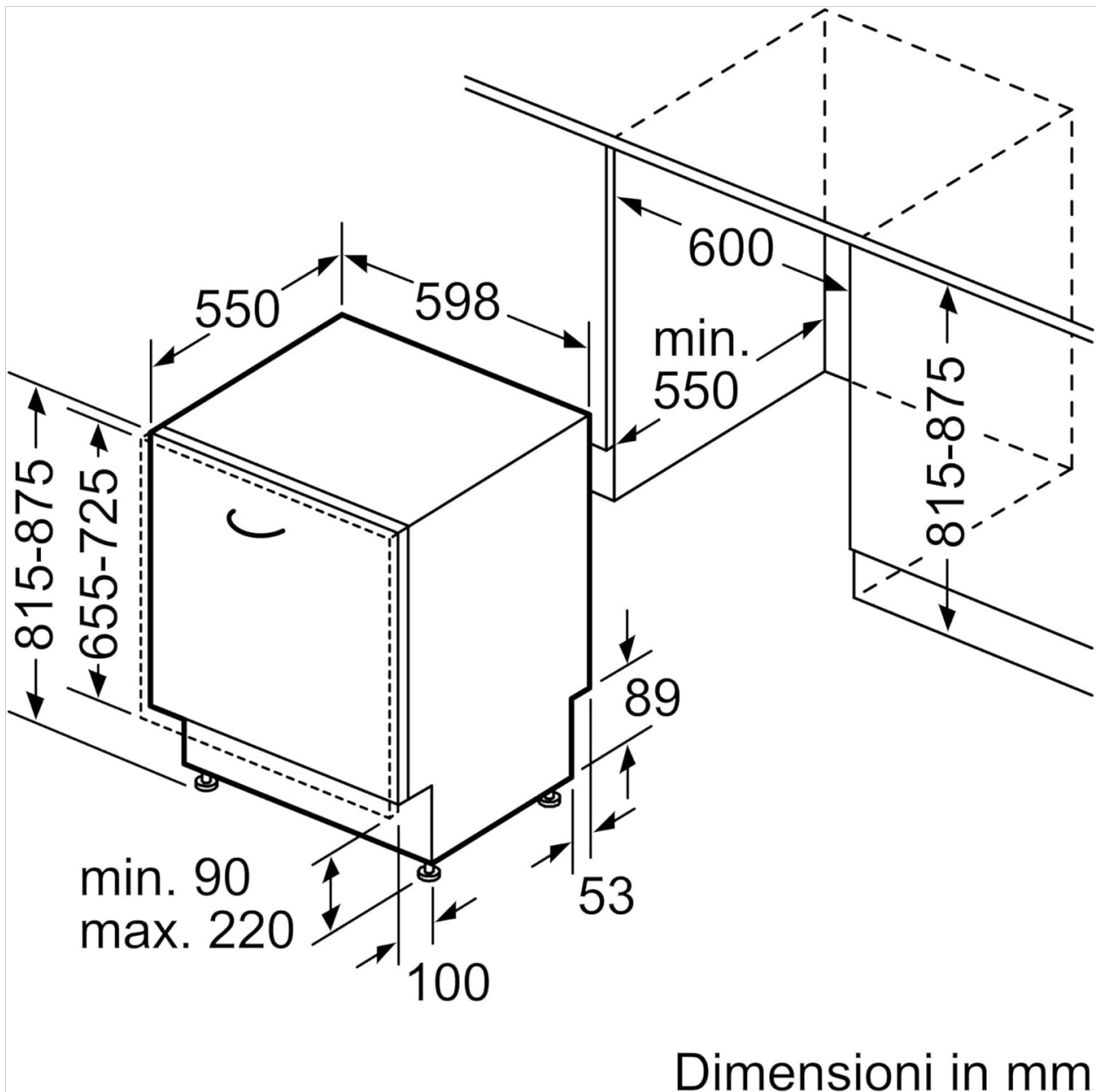
---

Proper installation is crucial for the optimal performance and safety of your dishwasher. It is recommended that installation be performed by a qualified technician.

### Dimensions and Clearances:

Ensure that the installation space meets the following requirements:

- **Product Dimensions (W x D x H):** 59 cm x 55 cm x 81 cm
- **Minimum Niche Width:** 60 cm
- **Minimum Niche Depth:** 55 cm
- **Adjustable Height:** 81.5 cm to 87.5 cm



A technical diagram illustrating the precise dimensions and clearances required for installing the Bosch SMV4HVX07E fully integrated dishwasher into a kitchen cabinet. All measurements are in millimeters.

### Connection Requirements:

- **Water Supply:** Connect to a cold water supply with appropriate pressure.
- **Drainage:** Ensure proper connection to a wastewater drain.
- **Electrical:** Connect to a grounded 240V electrical outlet.

## 5. OPERATING INSTRUCTIONS

Follow these steps for effective use of your Bosch dishwasher.

### Loading the Dishwasher:

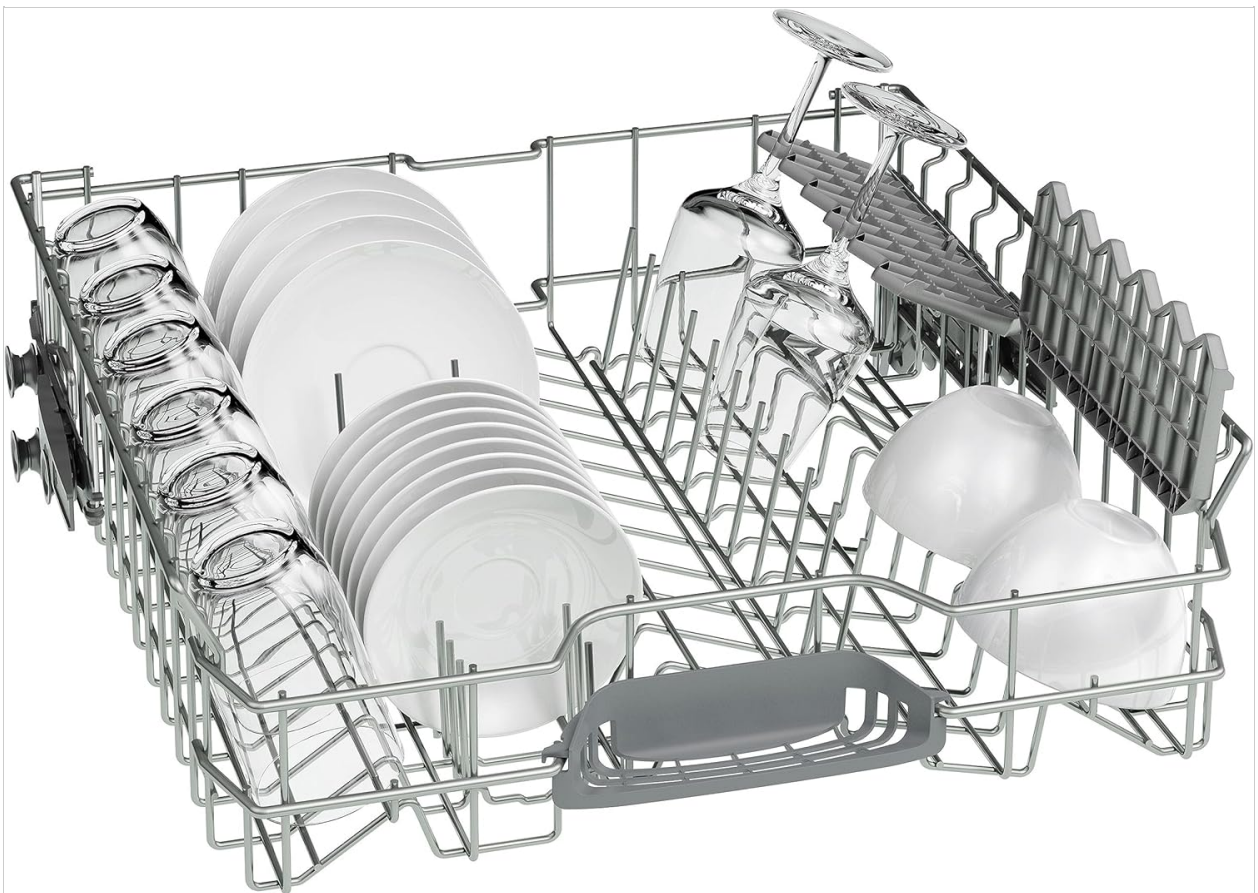
Proper loading ensures optimal cleaning results and prevents damage to dishes.

- Scrape off large food particles from dishes.
- Place glasses, cups, and small bowls in the upper rack.
- Arrange plates, larger bowls, and pots in the lower rack.

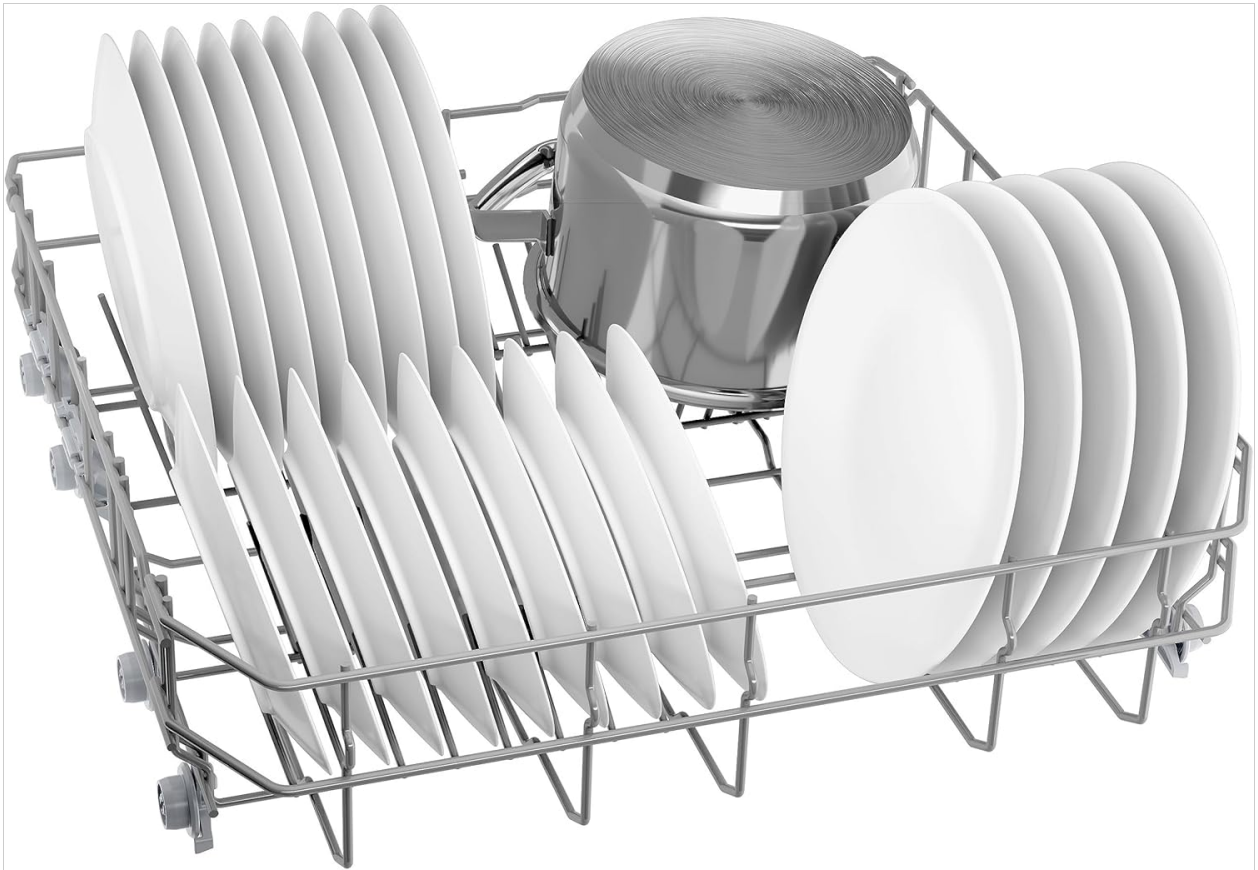
- Load cutlery into the dedicated cutlery drawer (third rack) or cutlery basket, ensuring items are separated.



The dedicated cutlery drawer (third rack) of the dishwasher, designed to hold forks, knives, spoons, and small kitchen tools. The organized layout ensures thorough cleaning and efficient use of space.



The upper rack of the dishwasher, loaded with various glasses and small bowls. The adjustable design allows for accommodating different item heights.



The lower rack of the dishwasher, filled with dinner plates and a cooking pot. The robust design supports heavier items and larger dishes.

### **Adding Detergent and Rinse Aid:**

Use only dishwasher-specific detergents and rinse aids.

- Open the detergent dispenser and add the recommended amount of detergent (powder, gel, or tablet).
- Fill the rinse aid dispenser as needed.



Close-up of the dishwasher's detergent dispenser, showing a detergent tablet and powder. The dispenser is designed for easy loading of various detergent types.

### Selecting and Starting a Program:

- Close the dishwasher door.
- Select your desired program using the control panel buttons. Available programs include: Delicate, Rinse, Economy, and Quick.
- Press the 'Start' button to begin the cycle.
- The InfoLight will project a red spot onto the floor, indicating that the dishwasher is running. The light will turn off when the program is complete.

## 6. HOME CONNECT FEATURES

Your Bosch SMV4HVX07E dishwasher is equipped with Home Connect, allowing for smart control and enhanced functionality.

- **Remote Control:** Use the Home Connect app on your smartphone to start, stop, or monitor your dishwasher from anywhere.
- **Programme Download:** Access and download specialized washing programs directly through the app to optimize cleaning for specific items or soil levels.
- **Washing Assistant:** The app can recommend the most suitable program based on your input regarding the load and soil level.
- **Remote Diagnostics:** With your permission, Bosch service technicians can remotely diagnose issues, potentially saving a service visit.
- **Digital Manuals & Tips:** Access the full instruction manual and helpful usage tips directly within the Home Connect app.

To set up Home Connect, download the app from your smartphone's app store and follow the in-app instructions to connect your dishwasher.

## 7. MAINTENANCE AND CARE

---

Regular maintenance ensures the longevity and efficiency of your dishwasher.

### Cleaning the Filters:

The dishwasher's filter system should be cleaned regularly to prevent blockages and ensure optimal washing performance. Your model features a removable filter for easy cleaning.

1. Remove the lower rack.
2. Twist and lift out the filter assembly.
3. Rinse the filters under running water to remove any food particles. Use a brush if necessary.
4. Reassemble the filters and place them back into the dishwasher, ensuring they are securely locked in place.

### Cleaning the Spray Arms:

Periodically check the spray arm nozzles for blockages and clean them if necessary.

### Exterior Cleaning:

Wipe the exterior surfaces with a soft, damp cloth. Do not use abrasive cleaners or solvents.

## 8. TROUBLESHOOTING

---

If you encounter an issue with your dishwasher, refer to the following common problems and solutions. For more complex issues, consult the Home Connect app or contact Bosch customer service.

Problem	Possible Cause	Solution
Dishwasher does not start	Door not closed properly; Power supply issue; Program not selected.	Ensure door is latched; Check power connection and circuit breaker; Select a program and press Start.
Dishes are not clean	Improper loading; Clogged spray arms; Insufficient detergent; Clogged filters.	Reload dishes correctly; Clean spray arm nozzles; Add more detergent; Clean filters.
Dishes are wet after cycle	Insufficient rinse aid; Program without drying option; Plastic items.	Refill rinse aid dispenser; Select a program with a drying option or use Extra Dry function; Plastic items naturally retain more water.
InfoLight not visible	Dishwasher not running; Light sensor obstructed.	Ensure a program is active; Check for obstructions on the floor or under the dishwasher.

## 9. SPECIFICATIONS

---

Detailed technical specifications for the Bosch SMV4HVX07E dishwasher:

Specification	Value
Model Name	SMV4HVX07E
Item Weight	34 Kilograms
Voltage	240V
Program Options	Delicate, Rinse, Economy, Quick
Style	Serie 4
Number of Settings	4
Water Consumption (per cycle)	9.0 Liters
Optional Cycles	10
Manufacturer	Bosch
Product Dimensions (W x D x H)	59 x 55 x 81 cm
Capacity	14 Place Settings
Special Feature	Removable Filter
Color	Integrated
Control Type	Button
Noise Level	46 dB
Components Included	1x Dishwasher
Form Factor	Built-in
Country of Origin	Poland

### Energy Efficiency:



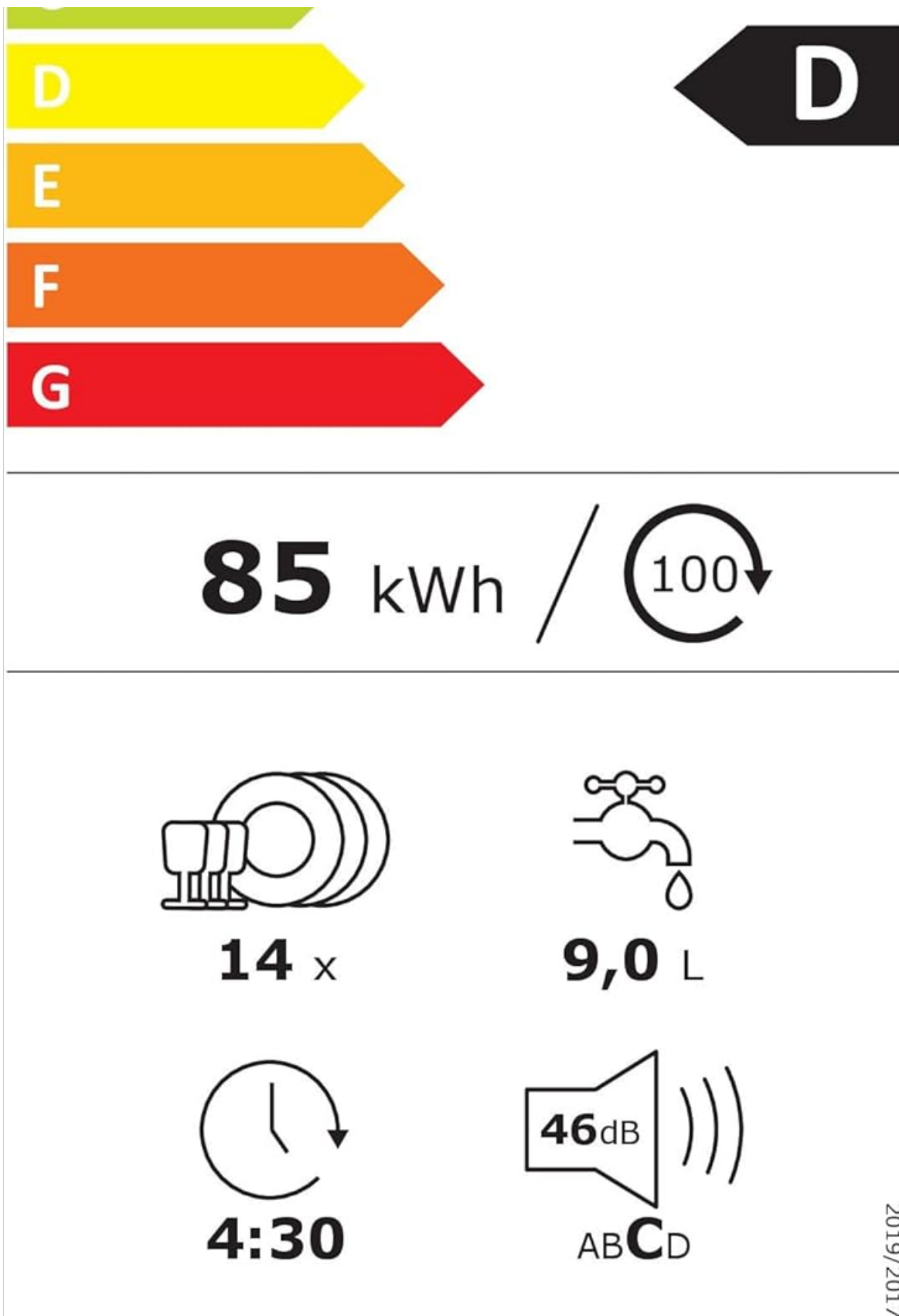
**ENERG** ⚡



**Bosch**

SMV4HVX07E





The official EU Energy Label for the Bosch SMV4HVX07E dishwasher, indicating its energy efficiency class D, annual energy consumption, water consumption, capacity, noise level, and program duration.

For more detailed energy information, visit the EPREL database: [EPREL Product Information](#)

## 10. WARRANTY AND SUPPORT

This Bosch SMV4HVX07E dishwasher is covered by Bosch's standard manufacturer's warranty. For detailed information on warranty terms, conditions, and how to make a claim, please refer to the documentation

provided with your appliance or visit the official Bosch website.

For technical assistance, spare parts, or to schedule a service appointment, please contact Bosch customer service. Have your model number (SMV4HVX07E) and purchase date ready when contacting support.