

## MechMaxx RT450

# MechMaxx RT450 Rotary Tiller Attachment Instruction Manual

Model: RT450

## 1. SAFETY INFORMATION

---

**WARNING:** Always wear appropriate protective gear, including safety glasses and gloves, when operating the tiller. Be cautious of moving parts and keep hands and feet away from the tines. Regularly maintain the tiller to ensure safe operation.

Before operating the MechMaxx RT450 Rotary Tiller, ensure all guards are in place and securely fastened. Never operate the tiller if guards are missing or damaged. Keep bystanders, especially children and pets, at a safe distance from the operating area. Read the entire operator's manual for full safety and assembly instructions before use.

## 2. SETUP AND ASSEMBLY

---

### 2.1 Connecting to Tractor

The MechMaxx RT450 Rotary Tiller is designed for easy connection to tractors with a Category 1, 3-point hitch. It is compatible with tractors ranging from 25-45 HP. The PTO shaft RPM is 540 RPM, and the rotor shaft speed is 215 RPM.

Ensure the tractor's PTO shaft is properly aligned and securely connected to the tiller's PTO drive shaft. The included PTO shaft features a slip clutch for added protection.

### 2.2 Adding Gear Oil

**Important:** The product does not come pre-filled with oil. You **MUST** add oil before first use to prevent damage to the gearboxes.

1. Locate the oil caps on both the central gearbox and the side gearbox.
2. Remove the top vent plug and the side plug from the central gearbox.
3. Pour 1 liter of 85W-90 gear oil into the central gearbox until the oil level is positioned in the middle of the

level indicator.

4. Repeat the process for the side gearbox, adding 2 liters of 85W-90 gear oil.
5. Securely replace all plugs after filling.



Figure 1: Oil cap locations for the central (1L) and side (2L) gearboxes. Use 85W-90 oil.

Your browser does not support the video tag.

Video 1: Instructions on how to add gear oil to the MechMaxx Rotary Tiller gearboxes.

## 3. OPERATING INSTRUCTIONS

---

### 3.1 General Operation

The RT450 Rotary Tiller has a working width of 53 inches and a maximum working depth of 5.1 inches. It is powered by a heavy-duty transmission, enabling it to handle tough conditions and break up hard ground effectively.

This tiller is designed to control and disrupt weed growth by eradicating and burying weed seeds. It is also effective for mixing soil amendments evenly throughout the soil profile, ensuring uniform distribution of nutrients and pH levels.



Figure 2: The RT450 tiller attached to a tractor, demonstrating its operational setup.

### 3.2 Adjusting Working Depth

The side runners allow for adjustable working depths: 1 inch, 2.1 inches, 3.1 inches, and 5.1 inches. Adjust the runners according to your specific soil preparation needs.



Figure 3: Side runners for adjusting the tiller's working depth.

### 3.3 Applications

In landscaping, the RT450 is valuable for tasks such as establishing new lawns, renovating existing ones, and preparing soil for sod installation or seeding. Regular use can reduce soil compaction, promoting better root growth and water infiltration, especially in heavy clay soils.

## 4. MAINTENANCE

---

Regular maintenance is essential for the longevity and optimal performance of your MechMaxx RT450 Rotary Tiller.

### 4.1 Gearbox Maintenance

The direct drive central and side gearboxes provide reliable power transmission and are designed for easy maintenance. Periodically check the oil levels in both gearboxes and replenish with 85W-90 gear oil as needed. Refer to Section 2.2 for initial oil filling instructions, which also apply to routine top-ups.



Figure 4: Internal view of the gear drive system.

### 4.2 Blade Inspection and Replacement

The tiller features 30 C-shaped blades made of 60SI2MN material, known for high strength, toughness, and hardenability. Regularly inspect the blades for wear, damage, or bending. Replace worn or damaged blades to maintain effective tilling performance.

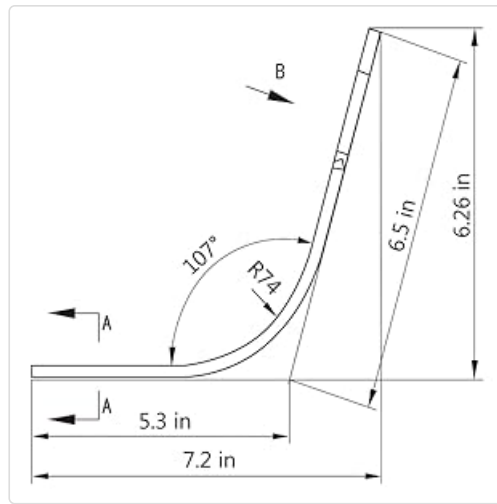


Figure 5: Detailed view of the C-shaped blades.

### 4.3 Bearing Care

The tiller is equipped with NSK shaft bearings made in Japan, designed for smooth, quiet, and cool operation. Ensure bearings are free from debris and adequately lubricated as per the maintenance schedule in the full owner's manual.



Figure 6: NSK shaft bearings for smooth operation.

### 4.4 PTO Shaft Inspection

Regularly inspect the PTO drive shaft for any signs of wear, damage, or corrosion. Ensure the slip clutch mechanism is functioning correctly. Lubricate grease points on the PTO shaft as recommended.



Figure 7: PTO shaft diagram with key dimensions.

## 5. TROUBLESHOOTING

This section provides general guidance for common issues. For detailed troubleshooting steps, please refer to the comprehensive owner's manual or contact customer support.

- **Tiller not engaging:** Check PTO shaft connection and ensure tractor PTO is engaged. Verify slip clutch is not seized or damaged.
- **Poor tilling performance:** Inspect blades for wear or damage. Ensure correct working depth is set for soil conditions.
- **Unusual noises from gearbox:** Check gear oil levels immediately. If noise persists after topping up, discontinue use and contact support.
- **Excessive vibration:** Inspect blades for damage or imbalance. Check for loose bolts or connections.

## 6. SPECIFICATIONS

Feature	Specification
Brand	MechMaxx
Model Number	RT450
Product Dimensions (D x W x H)	34"D x 61"W x 42"H
Working Width	53 inches
Maximum Working Depth	5.1 inches (Adjustable: 1in/2.1in/3.1in/5.1in)
Compatible Tractor HP	25-45 HP
PTO Shaft RPM	540 RPM
Rotor Shaft Speed	215 RPM
Hitch Type	Category 1, 3-point hitch
Blades	30 C-shaped blades (60SI2MN material)
Gearbox Type	Direct drive central and side gearboxes

Feature	Specification
Bearings	NSK shaft bearings (Made in Japan)
Material	Manganese Steel
Item Weight	643 Pounds
Color	Orange

## 7. WARRANTY INFORMATION

---

For detailed warranty information regarding your MechMaxx RT450 Rotary Tiller, please refer to the warranty card included with your product or visit the official MechMaxx website. Keep your purchase receipt as proof of purchase for any warranty claims.

## 8. CUSTOMER SUPPORT

---

If you have any questions, require technical assistance, or need to order replacement parts, please contact MechMaxx customer support. You can find contact information on the official MechMaxx website or through your retailer.

Visit the [MechMaxx Store on Amazon](#) for more products and information.