



[Manuals.plus](#) /

> [TAZPI](#) /

> TAZPI 500 CFM Under Cabinet Range Hood TPS30-FBM-001 User Manual

TAZPI TPS30-FBM-001

TAZPI 500 CFM Under Cabinet Range Hood

MODEL: TPS30-FBM-001

1. Safety Information

Please read all instructions carefully before installation and operation. Retain this manual for future reference.

- **Electrical Safety:** Ensure the power supply matches the voltage requirements (120 Volts). All electrical wiring should be performed by a qualified electrician. Always disconnect power before servicing or cleaning.
- **Installation:** Install the range hood according to the instructions provided. Ensure proper ventilation and secure mounting to prevent hazards.
- **Maintenance:** Regularly clean grease filters to prevent grease buildup, which can be a fire hazard.
- **Children:** Keep children away from the appliance during operation and maintenance.

2. Product Overview

The TAZPI 500 CFM Under Cabinet Range Hood is designed to efficiently remove smoke, grease, and odors from your kitchen. Constructed from durable stainless steel, it features a powerful 3-speed exhaust fan and bright LED lighting for enhanced visibility.



Image: The TAZPI range hood demonstrating 500 CFM powerful airflow over a stovetop, effectively removing cooking fumes. Features include a 30-inch wide suction area, 3-fan speed, and high suction power.

Ultra-Quiet Only 55dB Max Noise Level

Greet Your Loved One With Quiet and Fresh Environment



Image: The TAZPI range hood operating with an ultra-quiet noise level, indicated as only 55dB max, ensuring a peaceful kitchen environment.

3. Package Contents

Verify that all components are present in the package:

- TAZPI Under Cabinet Range Hood (Model: TPS30-FBM-001)
- 5-Layer Aluminum Mesh Filters (Pre-installed)
- LED Lights (Pre-installed)
- Carbon Filter (Included for ductless use)
- Aluminum Exhaust Pipe (Included for ducted use)
- Mounting Hardware
- User Manual

4. Specifications

Model	TPS30-FBM-001
--------------	---------------

Material	Stainless Steel
Air Flow Capacity	500 Cubic Feet Per Minute (CFM)
Noise Level	55 Decibels (Max)
Number of Speeds	3
Mounting Type	Under Cabinet Mount
Ventilation Type	Ducted/Vented, Ductless/Recirculating
Light Source Type	LED (2*3W)
Voltage	120 Volts
Wattage	35 watts
Filter Type	Mesh (5-layer aluminum)
Product Dimensions	29.7" x 19.7" x 5.4" (Length x Depth x Height)

Product Specifications:

Product Weight: 17.42Pounds

Product Size: 29.7"*19.7"*5.4"

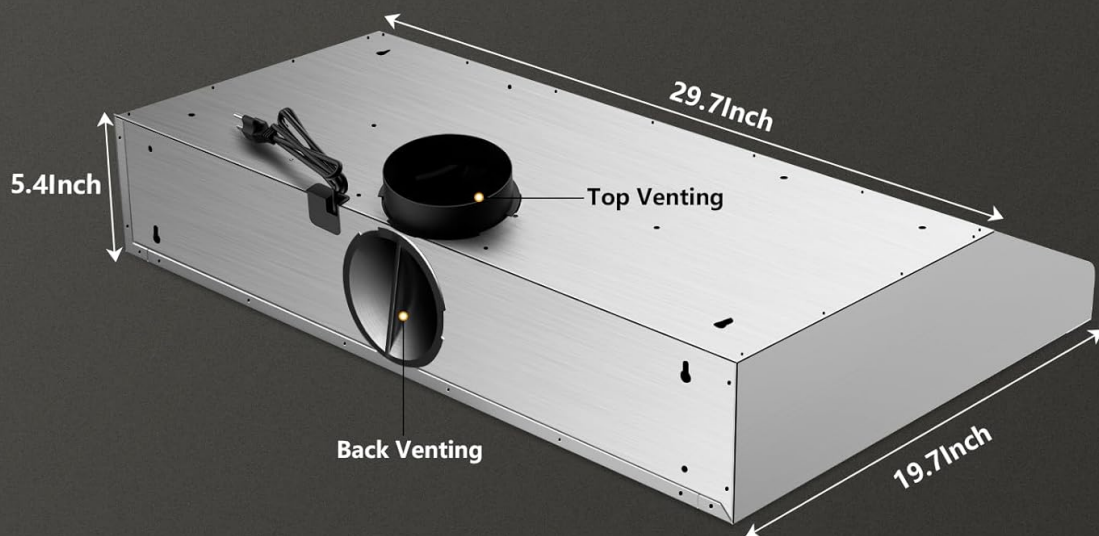


Image: Detailed product specifications including weight, size (29.7"x19.7"x5.4"), top and back venting options, 43-inch

power cord length, and a 3-prong plug.

5. Setup and Installation

The TAZPI range hood is designed for easy installation by following the step-by-step instructions in the user manual. For electrical wiring, it is recommended to consult qualified professionals.

5.1 Mounting Options

This range hood is designed for under-cabinet mounting. Ensure the cabinet opening is suitable for a 30-inch unit. The unit can also be installed against a wall if preferred.

5.2 Venting Modes

The range hood supports both ducted (outdoor vented) and ductless (indoor recirculating) installations.

- **Ducted Mode:** For outdoor venting, connect the included aluminum exhaust pipe to the top or rear vent opening and direct it outside.
- **Ductless Mode:** For indoor recirculation, install the included carbon filter. This filter helps remove odors before the air is recirculated back into the kitchen.



Image: Illustration of the powerful motor and the two venting modes: Ducted Mode, Ductless Mode, and conversion to recirculating mode with an included carbon filter.

5.3 Electrical Connection

The unit operates on 120 Volts and comes with a 3-prong plug. Ensure a suitable electrical outlet is available near the installation area.

6. Operating Instructions

The range hood features user-friendly push-button controls for fan speed and lighting.



Image: The TAZPI range hood's ultra-slim, space-saving design, highlighting the control panel with power, 3-speed exhaust fan, and light controls. Also shows 2*3W bright LED lights, 5-layer aluminum mesh filters, and stainless steel construction.

6.1 Fan Speed Control

Press the fan speed buttons to select one of the three available speeds (low, medium, high) to match your cooking needs. The 500 CFM motor effectively removes smoke and odors.

6.2 LED Light Control

Press the light button to turn the two 3W LED lights on or off. These lights provide sufficient illumination for your cooking area.

Bright LED Lights

Double **3W** LED Lamps For Illumination Offer You A Bright Cooking Area



Image: The TAZPI range hood with its bright LED lights illuminating the cooking surface, demonstrating how the double 3W LED lamps provide a well-lit cooking area.

7. Maintenance

Regular maintenance ensures optimal performance and longevity of your range hood.

7.1 Cleaning Aluminum Mesh Filters

The 5-layer aluminum mesh filters capture grease effectively. For cleaning:

1. Turn off the range hood and disconnect power.
2. Remove the filters by releasing their latches.
3. Wash the filters with warm, soapy water or place them in a dishwasher.
4. Allow filters to dry completely before re-installing.

5-Layer Aluminum Mesh Filters

Efficiently Filters Out Grease and Other Solid Particles

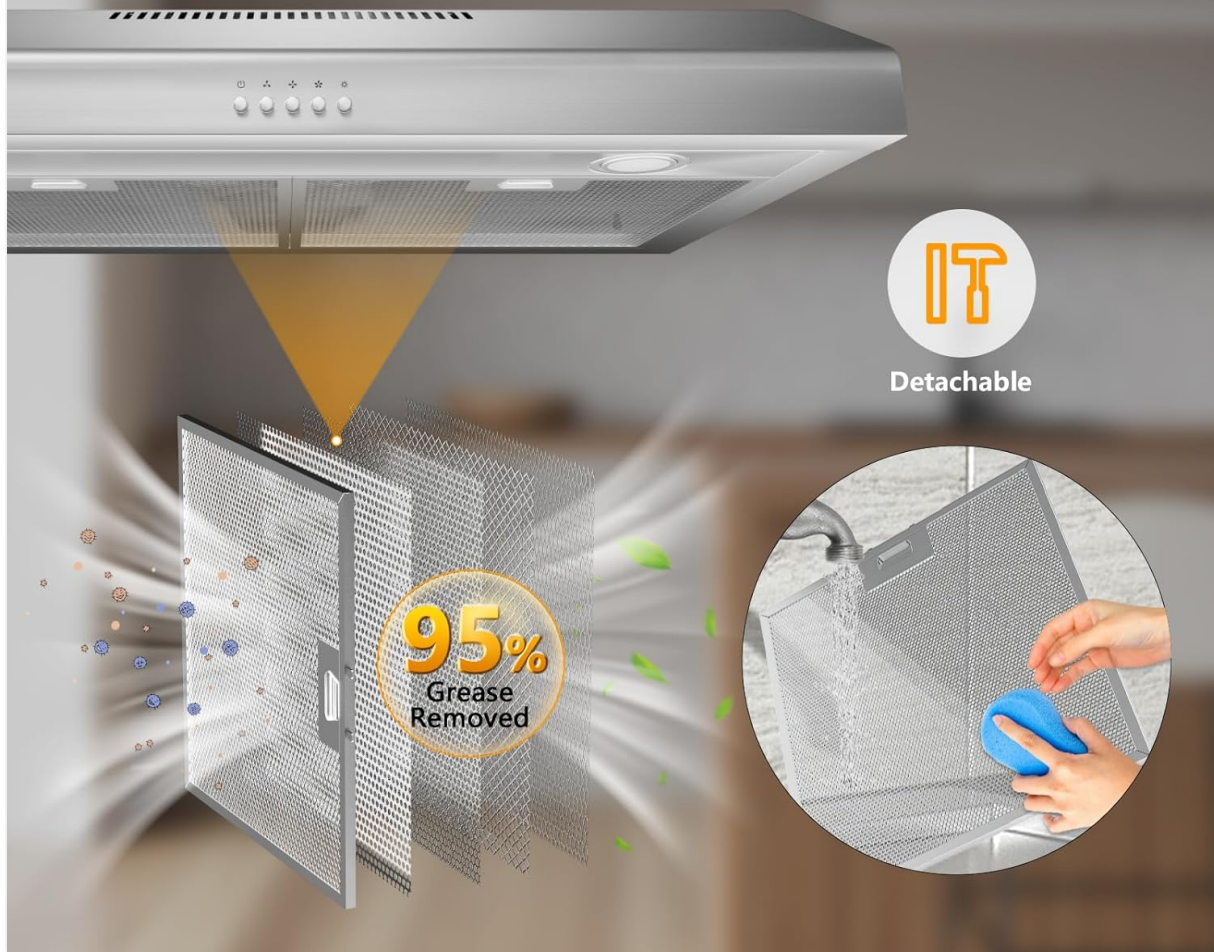


Image: Illustration showing the detachable 5-layer aluminum mesh filters, demonstrating how they efficiently filter out grease and other solid particles, and how to clean them under running water.

7.2 Carbon Filter Replacement (Ductless Mode)

If using the range hood in ductless mode, the carbon filter should be replaced periodically (typically every 3-6 months, depending on usage) to maintain odor absorption efficiency.

1. Turn off the range hood and disconnect power.
2. Remove the aluminum mesh filters to access the carbon filters.
3. Twist and remove the old carbon filters.
4. Install new carbon filters by twisting them into place.
5. Re-install the aluminum mesh filters.

7.3 LED Light Maintenance

The LED lights are designed for long life. If replacement is necessary, ensure the power is disconnected and consult the full user manual for specific instructions or contact customer support.

7.4 General Cleaning

Wipe the exterior stainless steel surfaces with a soft cloth and a mild, non-abrasive cleaner. Avoid using

harsh chemicals or abrasive pads that could scratch the finish.

8. Troubleshooting

If you encounter issues with your range hood, refer to the following common problems and solutions:

Problem	Possible Cause	Solution
Fan does not operate	No power supply; Fan motor fault	Check power connection and circuit breaker. If problem persists, contact support.
Lights do not work	LED bulb fault; Wiring issue	Ensure power is connected. If lights are faulty, contact support for replacement.
Poor suction	Clogged filters; Improper installation; Incorrect venting mode	Clean or replace filters. Verify proper ducting or carbon filter installation. Ensure no obstructions in the vent path.
Excessive noise	Loose parts; Obstruction in fan; Improper installation	Check for loose screws or components. Remove any obstructions from the fan blades. Ensure the unit is securely mounted.

9. Warranty and Support

TAZPI is committed to customer satisfaction and provides efficient and timely after-sales service. For any assistance, questions, or warranty claims regarding your range hood, please contact TAZPI customer support.

Refer to your purchase documentation or the TAZPI official website for specific warranty terms and contact information.