

[Manuals.plus](#) /

> [Luztolent](#) /

> Luztolent 12-Inch 19-Bottle Wine Cooler User Manual (Model JC-57WS)

Luztolent JC-57WS

Luztolent 12-Inch 19-Bottle Wine Cooler User Manual

Model: JC-57WS

INTRODUCTION

Thank you for choosing the Luztolent 12-Inch 19-Bottle Wine Cooler. This manual provides essential information for the safe and efficient use of your appliance. Please read these instructions thoroughly before installation and operation, and retain them for future reference.





Image: Front view of the Luztolent 12-inch 19-bottle wine cooler, showcasing its sleek design and glass door.

This wine cooler is designed to provide optimal storage conditions for your wine collection, featuring a single cooling zone, digital touchscreen controls, and energy-efficient operation. Its compact design allows for both built-in and freestanding installation.

SAFETY INFORMATION

Always follow basic safety precautions when using electrical appliances to reduce the risk of fire, electric shock, and injury. This appliance is certified by DOE and ETL, ensuring it meets rigorous safety and energy efficiency standards.

- Read all instructions before using the appliance.
- Do not touch cold surfaces immediately after the appliance has been turned off.

- Ensure proper grounding for electrical safety.
- Keep ventilation openings clear of obstructions.
- Do not store explosive substances in this appliance.

SETUP AND INSTALLATION

Unpacking and Placement

- Remove all packaging materials, including foam and adhesive tape.
- Clean the interior and exterior of the appliance with a soft cloth and mild detergent.
- Place the wine cooler on a flat, stable surface away from direct sunlight and heat sources.
- Allow at least 0.3 inches of clearance on the sides and top for proper ventilation, especially if installing as a built-in unit.



Image: The wine cooler seamlessly integrated under a kitchen counter, demonstrating a built-in installation.

Leveling the Appliance

The wine cooler is equipped with four elevatable legs. Adjust these legs to ensure the appliance is perfectly level. Proper leveling is crucial for optimal performance and quiet operation.

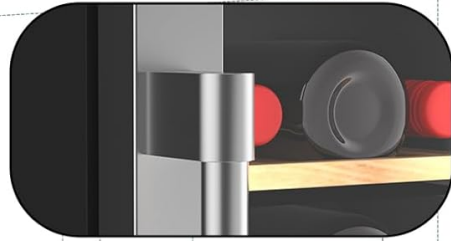


4 Elevatable Legs

Properly adjust the four-corner stand to keep it steady

Stainless steel Handle

Matte-finished handle offers easy access and modern sophistication



Seamless Elegance

Elevate Your Doors with Smooth, Durable, and Stylish Trim

White LED Light

After turning on the light for 10 minutes, the light will automatically turn off



Image: A diagram highlighting the four elevatable legs for stability and other design elements like the stainless steel handle and white LED light.

Handle Installation

Attach the brushed stainless steel door handle using the provided screws. **Important Note:** Insert screws through the door and align with handle holes before tightening. Screwing into the door first will prevent proper handle attachment.

Electrical Connection

Plug the appliance into a dedicated, grounded electrical outlet. Allow the unit to stand upright for at least 2-4 hours before plugging it in to allow compressor fluids to settle.

Dimensions for Installation



Image: A diagram illustrating the product dimensions: 22.44 inches deep, 11.65 inches wide, and 32.28 inches high.

To ensure the refrigerator fits easily,
Please leave an extra 0.3 inches of height and width in the cabinet space.

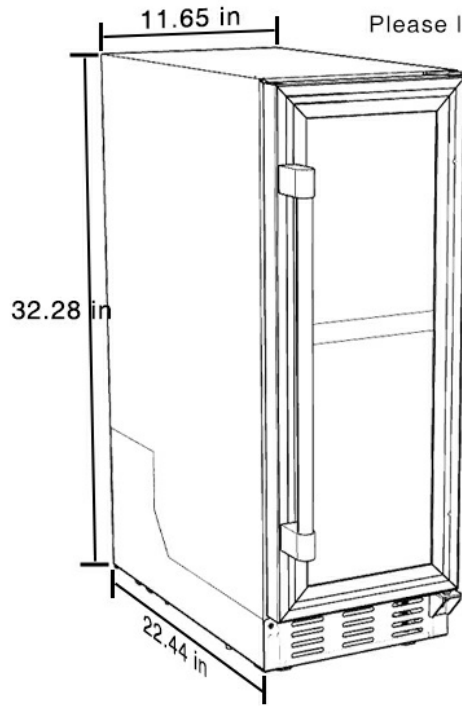


Image: A visual guide for built-in installation, recommending an extra 0.3 inches of height and width in the cabinet space for a proper fit.

OPERATING INSTRUCTIONS

Control Panel Overview



Image: A detailed view of the control panel, showing buttons for Power, Light/Temperature Switch, Temperature Display, and Temperature Control Up/Down.



Image: A close-up of the control panel illustrating the temperature lock function, which activates after 20 seconds of inactivity.

- **Power Button:** Turns the appliance on or off.
- **Light/Temperature Switch:** Controls the internal LED lighting and switches between temperature display modes (if applicable).

- **Temperature Display:** Shows the current internal temperature, adjustable between 41-64°F.
- **Temperature Control Up/Down:** Adjusts the desired temperature setting.

Setting the Temperature

Use the Up and Down arrow buttons on the digital touchscreen to set your desired temperature within the range of 41-64°F (5-18°C). The single cooling zone maintains a consistent temperature throughout the unit.



Image: An infographic detailing the single cooling zone, energy-efficient compressor, low noise level (≤ 41 dB), front venting, and triple glazing.

Temperature Memory Function

If the control panel is not adjusted for more than 20 seconds, the temperature setting function will automatically lock. To unlock, press and hold the unlock icon (often combined with the temperature control buttons) for 3 seconds. This feature prevents accidental temperature changes.

Internal LED Lighting

The built-in LED lighting provides optimal visibility of your wine collection. It is designed to intelligently turn off after 10 minutes of activation to conserve energy and prevent unnecessary heat exposure to the wine.

Quiet Operation

The wine cooler utilizes a silent compressor with an internal shock absorber to minimize bottle vibrations and ensure quiet operation, enhancing wine stability and preservation.



Image: The wine cooler in a room setting, with an overlay indicating low noise and vibration (less than 41dB).

MAINTENANCE

Cleaning the Interior

- Unplug the appliance before cleaning.
- Wash the interior with a mild detergent and warm water solution.
- Rinse thoroughly and dry with a soft cloth.
- Do not use abrasive cleaners or solvents.

Cleaning the Exterior

- Wipe the exterior with a soft cloth and mild detergent.
- For stainless steel surfaces, use a stainless steel cleaner and polish in the direction of the grain.
- Clean the glass door with a glass cleaner.

Beech Wood Shelves

The wine cooler features easily adjustable beech wood shelves. These can be removed for cleaning or to accommodate larger bottles. Clean shelves with a damp cloth and mild soap, then dry completely before returning them to the unit.

REMOVABLE WOODEN SHELVES

VERSATILE MOVABLE BEECHWOOD SHELVING

Store up to
19 Bottles



Image: An interior view of the wine cooler showing bottles stored on removable beech wood shelves, highlighting the 19-bottle capacity.



Image: A close-up of the versatile movable beechwood shelving, demonstrating how bottles are cradled.

Frost-Free Technology

The appliance incorporates frost-free technology, which circulates air to prevent ice buildup. This feature eliminates the need for manual defrosting and helps protect the flavor and color of your wine for ideal aging.

Triple-Layer Tempered Glass

The stainless steel frame door features triple-layer tempered glass, which effectively insulates against external temperature fluctuations and blocks harmful UV rays, ensuring optimal conditions for your wine.



Image: The wine cooler with arrows indicating external heat and UV rays being reflected by the triple-layer tempered glass door.

TROUBLESHOOTING

Problem	Possible Cause	Solution
Appliance does not operate	No power; circuit breaker tripped; power cord not fully inserted.	Check power supply, reset breaker, ensure cord is securely plugged in.
Temperature is not cold enough	Door not closed properly; excessive door openings; warm items added; poor ventilation; unit in direct sunlight.	Ensure door is sealed; reduce door openings; allow new items to cool; ensure proper clearance for ventilation; relocate unit.
Vibrations or excessive noise	Appliance not level; contact with wall/cabinet.	Adjust leveling legs; ensure adequate clearance around the unit.
Handle difficult to install	Screws not aligned with internal door holes.	Ensure screws are inserted through the door and aligned with the handle holes before tightening. Do not attempt to screw directly into the door first.
Actual bottle capacity varies	Bottle sizes differ from standard.	The stated capacity is based on standard Bordeaux-sized bottles. Larger or irregularly shaped bottles may reduce the total capacity. Shelves can be adjusted or removed to accommodate.

SPECIFICATIONS

Feature	Detail
---------	--------

Feature	Detail
Brand	Luztolent
Model Info	JC-57WS
Item Weight	61.7 pounds
Product Dimensions (D x W x H)	22.44 x 11.65 x 32.28 inches
Capacity	19 Bottles (55.9 Liters)
Annual Energy Consumption	150 Kilowatt Hours Per Year
Installation Type	Undercounter / Built-in
Special Features	Inverter Compressor, Digital Touchscreen, LED Lighting, Temperature Memory Function
Color	Silver
Voltage	115 Volts (AC)
Defrost System	Frost Free
Door Material Type	Stainless Steel, Triple-Layer Tempered Glass
Shelf Type	Wood (Beech)
Number of Shelves	6
Certifications	DOE, ETL
Included Components	1x Wine Cooler, 6x Beech Shelves, 1x Brushed stainless steel door handle, 1x User manual

WARRANTY AND SUPPORT

Luztolent provides a **30-day replacement and refund service** for your wine cooler, along with a **1-year warranty** from the date of purchase. This warranty covers manufacturing defects and ensures reliable performance of your appliance.

For any questions, technical assistance, or warranty claims, please contact our dedicated customer support team at Luztolent. Our team is available to assist you with any issues you may encounter.

- **Warranty Period:** 1 Year
- **Return/Replacement Policy:** 30 Days
- **Contact:** Refer to the contact information provided in your purchase documentation or visit the official Luztolent website for support details.

