

## TROPOW sfp-GYY-N9lvwyt2q9qxDAfPrKGvCQ2Q2h4C

# TROPOW Driveway Drag 36-Inch User Manual

Model: sfp-GYY-N9lvwyt2q9qxDAfPrKGvCQ2Q2h4C

## 1. INTRODUCTION

---

Thank you for choosing the TROPOW Driveway Drag 36-Inch. This heavy-duty land leveler is designed to efficiently smooth and level various surfaces, including driveways, lawns, and gardens. It is compatible with ATVs, UTVs, tractors, and mowers, providing a versatile solution for your landscaping needs. Please read this manual thoroughly before assembly and operation to ensure safe and effective use of the product.

## 2. SAFETY INFORMATION

---

Always prioritize safety when operating any equipment. Failure to follow these safety guidelines may result in injury or damage to the product.

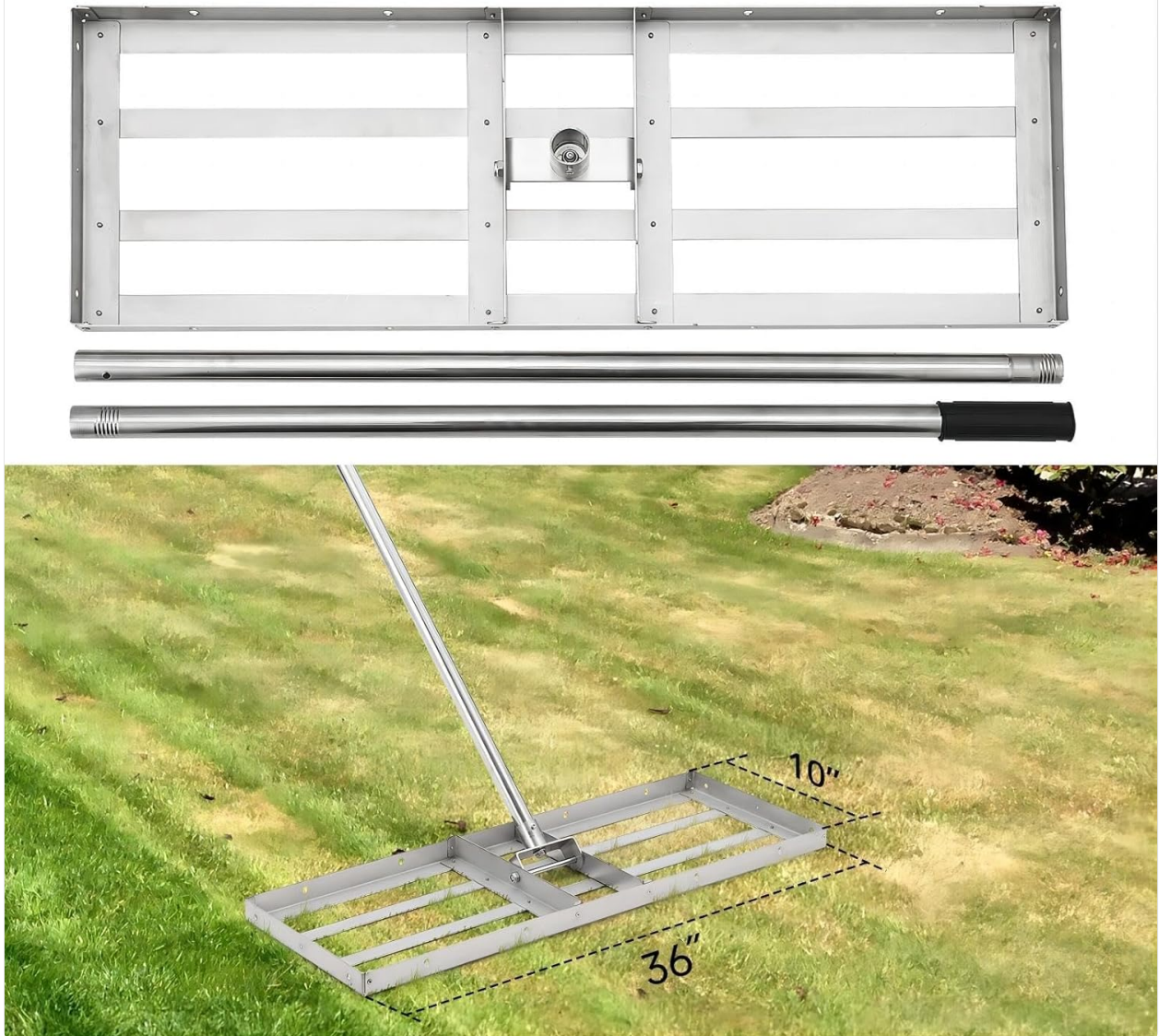
- Read and understand all instructions before use.
- Wear appropriate personal protective equipment (PPE), such as sturdy footwear and gloves.
- Ensure the towing vehicle (ATV, UTV, tractor, mower) is suitable for the weight and size of the driveway drag.
- Keep children and pets away from the operating area.
- Inspect the driveway drag for any damage or loose parts before each use.
- Do not operate the equipment on excessively steep slopes or uneven terrain that could cause instability.
- Always secure the drag properly to the towing vehicle hitch.
- Exercise caution when turning or maneuvering the towing vehicle with the attached drag.

## 3. PACKAGE CONTENTS

---

Verify that all components are present and undamaged upon unpacking. If any parts are missing or damaged, contact customer support.

# COMPLETE ACCESSORIES



**Figure 3.1: Complete Accessories.** This image displays the main drag frame, the multi-section handle, and the connecting hardware. The drag frame measures approximately 36 inches in width.

- Main Drag Frame (1 unit)
- Handle Sections (multiple, for adjustable length)
- Connecting Hardware (bolts, nuts, washers)
- Instruction Manual (this document)

## 4. ASSEMBLY

Follow these steps for quick and easy assembly of your driveway drag.

## EASY ASSEMBLY IN 5 MINS

Simply connect the rake head to the bottom pole, then easily screw in the top pole.



**Figure 4.1: Easy Assembly in 5 Minutes.** This image demonstrates the simple process of connecting the handle to the drag frame.

1. **Step 1:** Connect the lower handle section to the main drag frame. Align the holes and insert the provided bolts, securing them with nuts and washers.
2. **Step 2:** Attach the upper handle section(s) to the lower handle section by screwing them together. Ensure a tight connection.
3. **Step 3:** Verify all connections are secure before use.

## 5. SETUP

Proper setup ensures optimal performance and results.



**Figure 5.1: Site Preparation and Initial Dragging.** This image illustrates preparing the ground with material (STP 1) and then using the drag to spread it (STP 2).

- **Prepare the Area:** Clear the area to be leveled of any large debris, rocks, or obstacles that could impede the drag or damage the equipment.
- **Add Material (Optional):** If adding new material like soil, sand, or gravel, spread it roughly over the area before dragging (refer to Figure 5.1, STP 1).
- **Attach to Vehicle:** Securely attach the driveway drag to the hitch of your ATV, UTV, tractor, or mower. Ensure the connection is stable and free from excessive play.
- **Adjust Weight/Depth:** The drag is designed for enhanced depth. For heavier applications or to increase leveling pressure, additional weight (up to 50 lbs) can be placed on the drag frame.

## 6. OPERATING INSTRUCTIONS

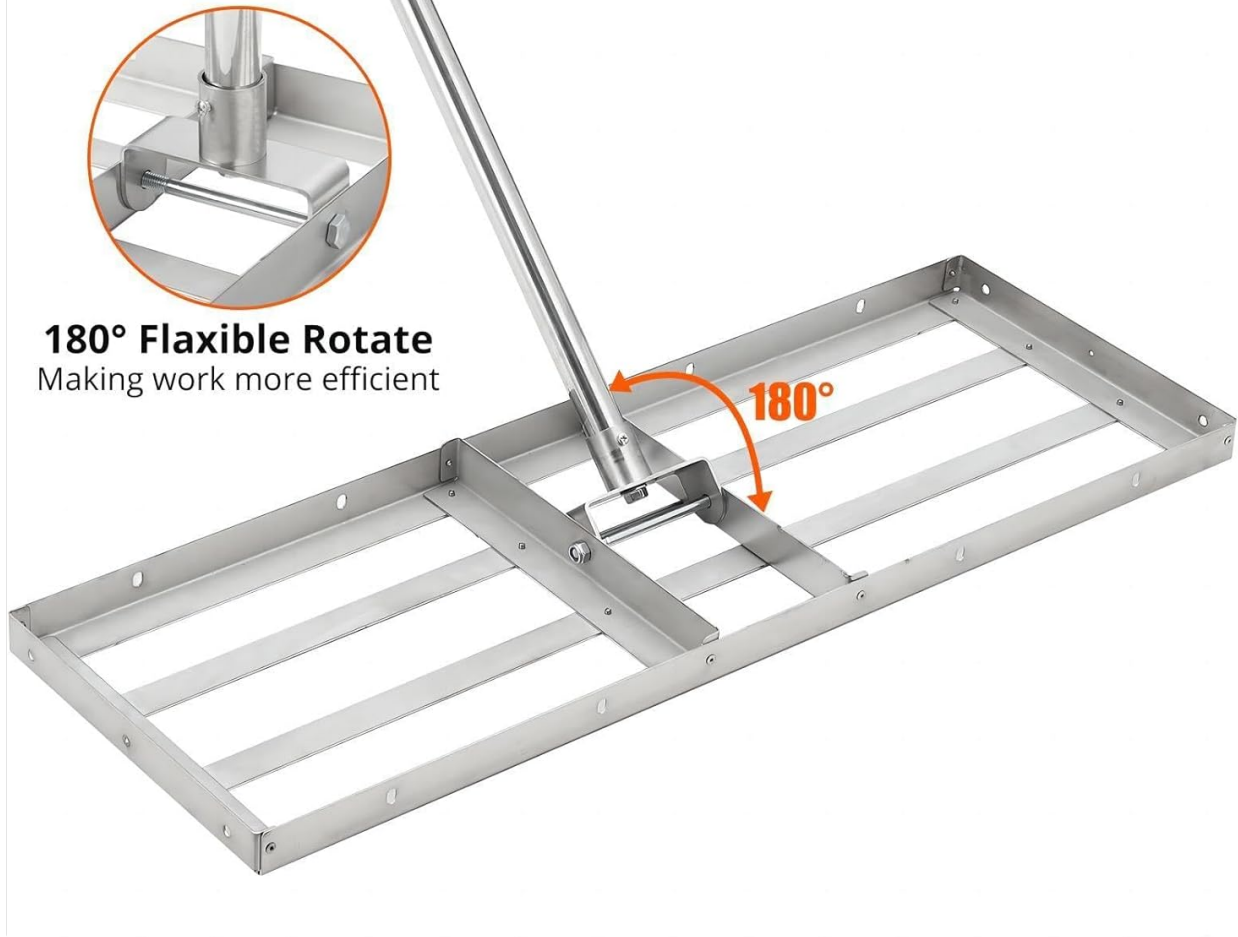
Follow these guidelines for effective operation of your TROPOW Driveway Drag.



**Figure 6.1: Operating the Driveway Drag.** This image shows an individual actively using the drag to level a patch of soil, highlighting its application in lawn care.

## HIGH QUALITY STEEL

Built with powder-coated, durable steel to withstand even the toughest of jobs



**180° Flexible Rotate**  
Making work more efficient

**Figure 6.2: 180° Flexible Rotation.** This image illustrates the pivot mechanism that allows the drag head to rotate 180 degrees, enhancing maneuverability and efficiency.

- **Start Slowly:** Begin towing at a slow, consistent speed. Observe how the drag interacts with the surface.
- **Overlap Passes:** Make overlapping passes to ensure complete coverage and a smooth finish.
- **Adjust Speed and Weight:** Adjust your towing speed and the amount of added weight (if any) based on the material and desired leveling effect. Slower speeds and more weight generally provide a deeper, more aggressive level.
- **Maneuvering:** The drag features a 180° flexible rotation (Figure 6.2), allowing for easier turns and more efficient work in varied terrain. Utilize this feature for better control and to avoid lifting the drag unnecessarily.
- **Multiple Passes:** For very uneven surfaces, multiple passes may be required, changing the direction of travel with each pass for best results.

## 7. MAINTENANCE

Regular maintenance will extend the life of your driveway drag.

- **Cleaning:** After each use, clean any accumulated dirt, mud, or debris from the drag frame and handle. A

stiff brush and water can be used.

- **Inspection:** Periodically inspect all bolts, nuts, and connections for tightness. Tighten any loose fasteners.
- **Storage:** Store the driveway drag in a dry, covered area to prevent rust and corrosion.
- **Rust Prevention:** If storing for extended periods, consider applying a light coat of rust-preventative oil to metal surfaces.

## 8. TROUBLESHOOTING

Here are some common issues and their solutions.

Problem	Possible Cause	Solution
Uneven leveling results	Inconsistent speed; insufficient weight; uneven initial material spread; too few passes.	Maintain consistent speed; add more weight to the drag; ensure material is spread evenly before dragging; make more overlapping passes.
Drag not engaging surface effectively	Not enough weight; ground too hard.	Add additional weight to the drag frame; consider moistening the ground if it is excessively dry and hard.
Difficulty maneuvering or turning	Excessive speed; tight turns.	Reduce towing speed; utilize the 180° flexible rotation feature for smoother turns; make wider turns.
Loose components after use	Vibration during operation.	Regularly inspect and tighten all bolts and nuts before and after each use.

## 9. SPECIFICATIONS

Key technical specifications for the TROPOW Driveway Drag 36-Inch.

Feature	Specification
Brand	TROPOW
Model Number	sfp-GYY-N9lvwyt2q9qxDAfPrKGvCQ2Q2h4C
Product Dimensions (W x H)	14.17"W x 3.94"H (Note: This refers to the package or a specific component, the drag width is 36 inches as per product title)
Item Weight	9.5 Pounds
Color	Black
Material	Alloy Steel (Powder-coated)
Max. Additional Weight Capacity	50 lbs (for deep plowing capability)
Rotation Feature	180° Flexible Rotate

## 10. WARRANTY AND SUPPORT

---

For warranty information or technical support, please refer to the purchase documentation or contact TROPOW customer service directly. Keep your proof of purchase for any warranty claims. Contact information can typically be found on the product packaging or the official TROPOW website.