



[Manuals.plus](#) /

› [Winsome](#) /

› Winsome Julian 2x4 Storage Cabinet Set Instruction Manual

Winsome Julian (Model 10422)

Winsome Julian 2x4 Storage Cabinet Set

Model: 10422 | Brand: Winsome

INTRODUCTION

The Winsome Julian 2x4 Storage Cabinet Set is designed to provide versatile and stylish organization for your living space, home office, or any room requiring efficient storage. This 5-piece set includes a cabinet with eight compartments and four complementary beige foldable baskets, offering both open display and concealed storage options. Its contemporary white finish and functional design make it a practical addition to various home environments.

SAFETY INFORMATION

Important Safety Guidelines:

- Do not exceed the maximum weight capacity of **50 lbs (22.7 kg)** for the top surface of the cabinet.
- Each individual compartment has a weight capacity of **30 lbs (13.6 kg)**. Ensure items stored within compartments do not exceed this limit.
- Once the cabinet is fully assembled and placed in its desired location, avoid moving it frequently to prevent potential floor scratches and maintain the structural stability of the unit.
- Always distribute weight evenly across the cabinet and within compartments to prevent tipping or damage.

PRODUCT OVERVIEW

The Julian 2x4 Storage Cabinet Set offers a practical solution for organizing various items, from books and decor to toys and accessories. It features a robust design with both open cubbies and compartments with doors, complemented by four foldable baskets for flexible storage.

Key Features:

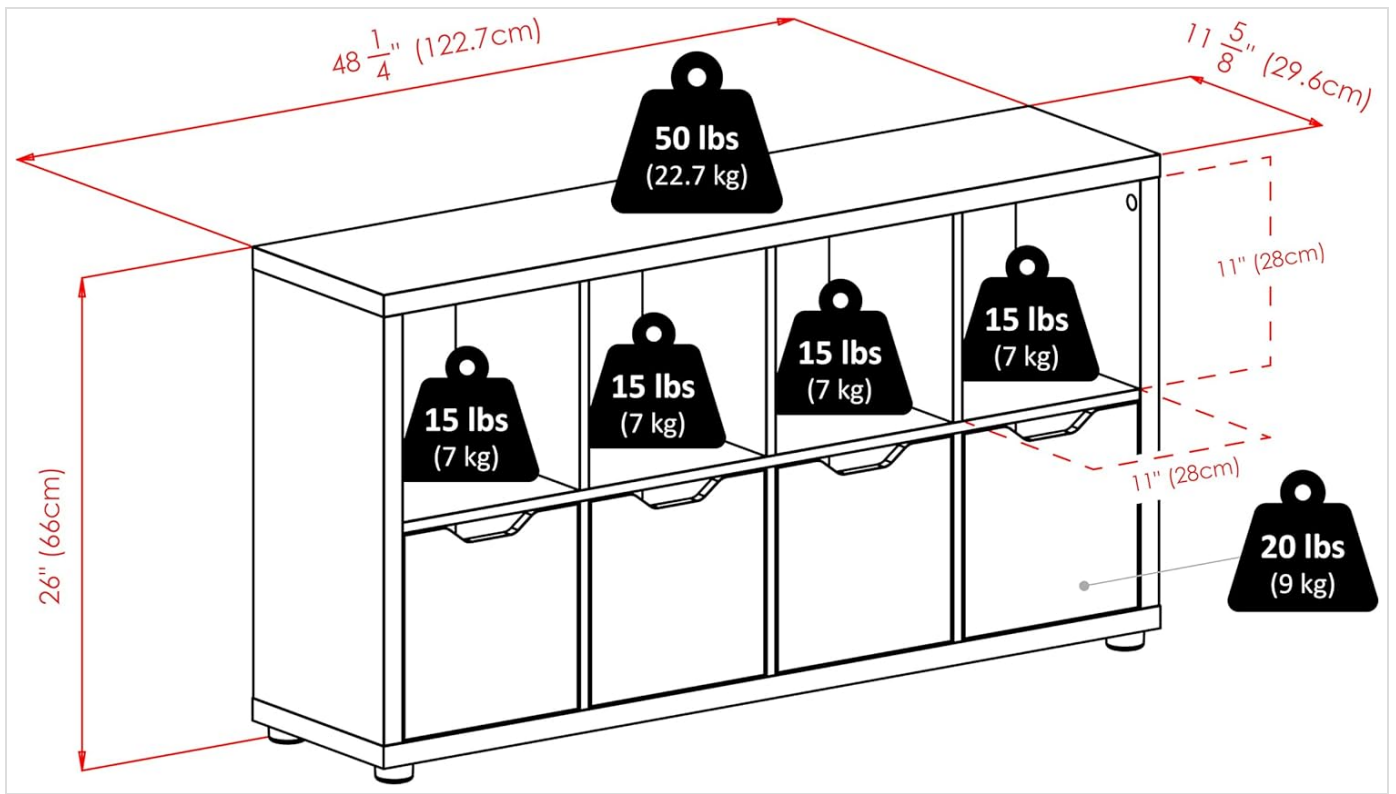
- Cabinet with 8 spacious compartments (4 open, 4 with doors).
- Doors feature convenient cut-out handles for easy access.
- Includes a set of 4 foldable beige baskets for additional storage.
- Equipped with five rubber feet to protect floors from scratches.
- Constructed from sturdy composite wood with a clean white finish.

Dimensions and Capacities:



Front view of the Winsome Julian 2x4 Storage Cabinet Set, showcasing its white finish and beige storage baskets in the upper cubbies.

- **Overall Cabinet Dimensions:** 48.3"W x 11.6"D x 25.9"H (122.7 cm W x 29.6 cm D x 66 cm H)
- **Inside Cabinet Compartment with Door:** 11.02"W x 10.39"D x 11.02"H
- **Inside Open Cubby:** 11.02"W x 11.02"D x 11.02"H
- **Basket Open Dimensions:** 10.06"W x 10.97"D x 9"H (folds flat for storage)
- **Top Static Weight Capacity:** 50 lbs (22.7 kg)
- **Each Compartment Weight Capacity:** 30 lbs (13.6 kg)



Detailed diagram illustrating the overall dimensions and individual weight capacities for the top surface and each compartment of the cabinet.

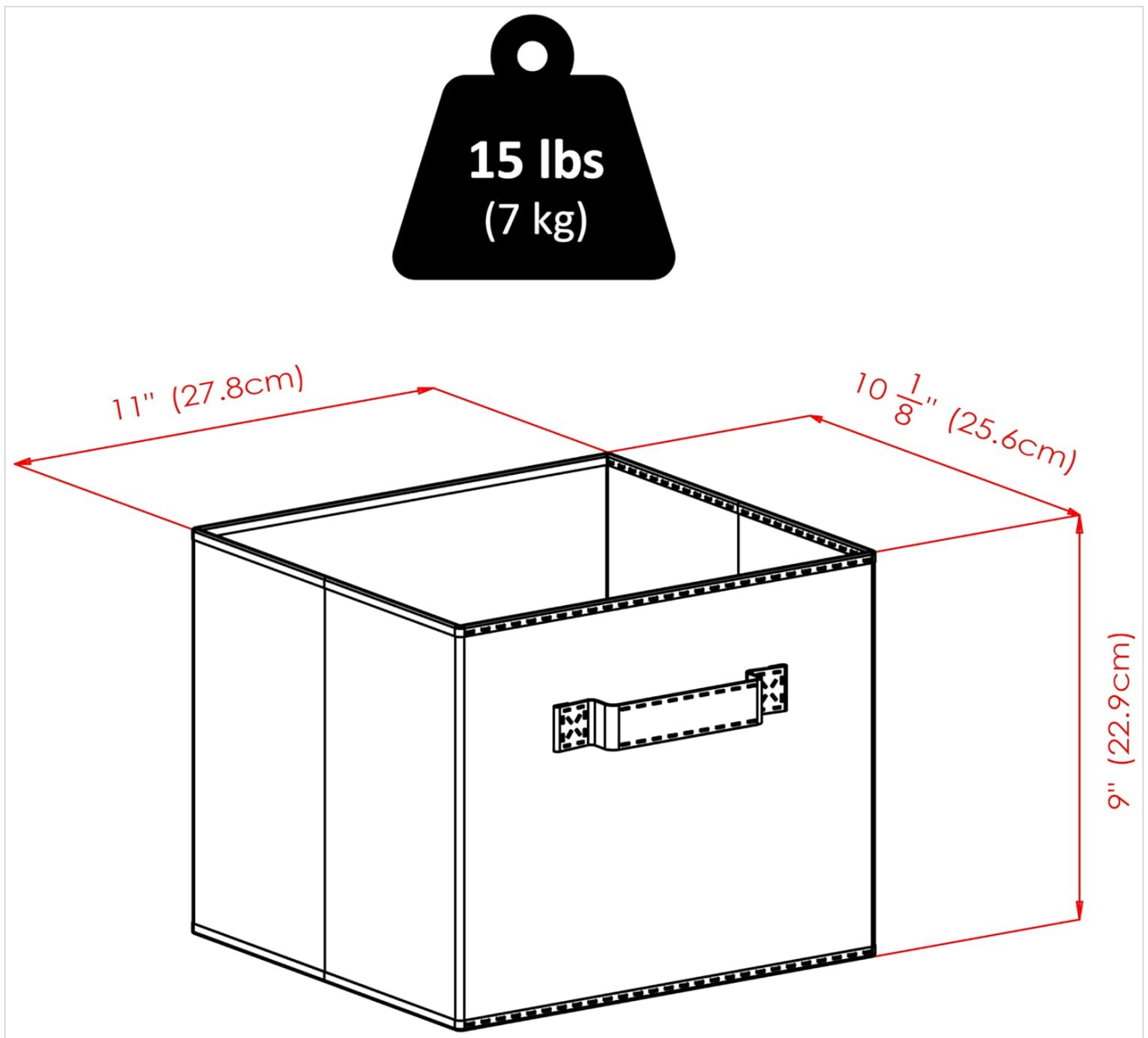


Diagram detailing the dimensions and weight capacity of one foldable beige storage basket.

SETUP AND ASSEMBLY

The Winsome Julian 2x4 Storage Cabinet requires assembly. The product ships conveniently in two separate boxes, and all necessary hardware for assembly is included. A detailed step-by-step assembly guide is provided within the packaging to assist you with the setup process. Please follow the instructions carefully to ensure proper and safe assembly of the cabinet. The four beige baskets are foldable and do not require assembly; they can be unfolded and placed directly into the cubbies.

OPERATING AND USAGE

The Julian 2x4 Storage Cabinet is designed for versatile use in various rooms. The open cubbies are ideal for displaying decorative items, books, or frequently accessed essentials. The compartments with doors provide concealed storage, helping to keep clutter out of sight. The included foldable baskets can be used within any of the cubbies to further organize smaller items or to add a soft, textural element to your storage solution.



The storage cabinet positioned behind a sofa in a living room, demonstrating its use for organizing and displaying items.



The cabinet with some baskets in place and one basket removed, showing the flexibility of storage options.



The cabinet with its lower doors open, revealing the concealed storage compartments.

MAINTENANCE

To maintain the appearance and longevity of your Winsome Julian Storage Cabinet, follow these simple cleaning instructions:

- Wipe the cabinet surfaces with a clean, damp cloth.
- Avoid using harsh chemicals, abrasive cleaners, or polishes, as these can damage the finish.
- For the beige baskets, spot clean with a mild detergent and damp cloth if necessary. Allow to air dry completely.
- Regularly check all hardware and connections to ensure they remain tight and secure.

TROUBLESHOOTING

If you encounter any issues with your Winsome Julian Storage Cabinet, please refer to the following common solutions:

- **Missing Parts or Damaged Components:** If any parts are missing or damaged upon arrival, please do not proceed with assembly. Contact customer support immediately for assistance.
- **Assembly Difficulties:** Review the step-by-step assembly guide provided with your product. Ensure all steps are followed in the correct order and all hardware is used as indicated.
- **Stability Issues:** Ensure the cabinet is placed on a flat, level surface. Verify that all connections are securely tightened. The included rubber feet should be attached to prevent wobbling and protect your floor.
- **Doors Not Closing Properly:** Check that the door hinges are correctly installed and tightened. Ensure no obstructions are preventing the doors from closing fully.

SPECIFICATIONS

Specification	Detail
Brand	Winsome
Model Name	Julian
Item Model Number	10422
UPC	021713104229
Color	White
Product Dimensions	11.65"D x 48.31"W x 25.98"H
Item Weight	60.6 Pounds
Material	Engineered Wood
Finish Type	White
Mounting Type	Floor Mount
Room Type	Entryway, Hallway, Home Office, Living Room
Number of Compartments	8
Number of Shelves	8 (referring to cubbies)
Number of Pieces	5 (Cabinet + 4 Baskets)
Assembly Required	Yes
Included Components	Cabinet, 4 Foldable Baskets, Hardware, Rubber Feet

CUSTOMER SUPPORT

For any questions, concerns, or assistance with your Winsome Julian Storage Cabinet Set, please contact customer support. You can typically find contact information on the packaging or through the retailer where the product was purchased. Winsome is committed to providing quality products and support.

Frequently Asked Questions (FAQs):

- **How long has Winsome Trading Inc. been in business?** Winsome Trading Inc. has been crafting furniture solutions since 1977, offering timeless and functional pieces for over four decades.
- **What makes Winsome products unique?** Each Winsome product is designed with customer needs in mind and routinely tested by their quality control team to ensure the highest level of functionality and style.
- **What should I do if my product arrives damaged?** If you receive a damaged or defective item, please contact Amazon or the Winsome support team for assistance.