



[Manuals.plus](#) /

> [HOMLYLINK](#) /

> HOMLYLINK Elongated Tall Toilet 19 Inch, Bone Color - Instruction Manual

HOMLYLINK MH-TPT2460S-BN99

HOMLYLINK Elongated Tall Toilet 19 Inch - Instruction Manual

Model: MH-TPT2460S-BN99 | Color: Bone

INTRODUCTION

This manual provides instructions for the installation, operation, and maintenance of your HOMLYLINK Elongated Tall Toilet, Model MH-TPT2460S-BN99. This toilet is designed with a 19-inch bowl height (20 inches from floor to seat) for enhanced comfort and accessibility, particularly for seniors, individuals with disabilities, pregnant women, and taller users. It features a 1.28 GPF single flush system and a soft-close seat.

HOMLYLINK

ELONGATED TALL TOILET

29"D x 15.75"W x 34.25"H
Color: Bone



Jet Siphon
Powerful Flush



Soft Close Seat



Water Saving Flush
(1.28 GPF)



Easy to Clean



Low Noise
Flushing

Image: Overview of the HOMLYLINK Elongated Tall Toilet highlighting its main features.

ERGONOMIC SEAT HEIGHT



Ergonomic height design as sitting chair comfortable and safer.
Good for tall people & elderly & pregnant woman & the disabled.



Image: Ergonomic seat height comparison, showing the 20-inch seat height for easier sitting and standing.

SAFETY INFORMATION

- Read all instructions thoroughly before beginning installation or using the product.
- Wear appropriate personal protective equipment, including safety glasses and gloves, during installation.
- Ensure all water connections are securely tightened to prevent leaks. Do not overtighten porcelain components, as this may cause cracking.
- Do not use harsh abrasive cleaners, scouring pads, or chemical drain openers on the toilet surface or seat, as these can damage the finish.
- Keep small children away from installation tools and materials.

PACKAGE CONTENTS

Verify that all components are present and undamaged before beginning installation. If any parts are missing or damaged, contact customer support.

- Toilet Bowl (Elongated Oval)
- Water Tank (with pre-assembled flush system)

- Soft-Close Toilet Seat
- Wax Ring
- Installation Hardware (bolts, washers, nuts)



Image: All components included in the HOMLYLINK toilet package.

SPECIFICATIONS

Feature	Specification
Model Number	MH-TPT2460S-BN99
Color	Bone
Product Dimensions (D x W x H)	29" x 15.75" x 34.5"
Material (Toilet)	Porcelain, Ceramic
Material (Seat)	PP Plastic
Item Weight	79 Pounds
Installation Type	Floor Mounted
Shape	Elongated Oval
Flush Type	Jet Siphon, Single Flush
Water Consumption	1.28 Gallons Per Flush (GPF)
Seat Height (from floor)	20 inches
Bowl Height (from floor)	19 inches

Rough-in

12 inches



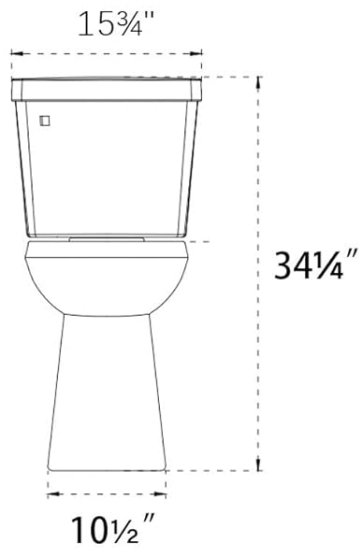
DIMENSIONS

Porcelain toilet may vary in size by up to 1/2 inch.

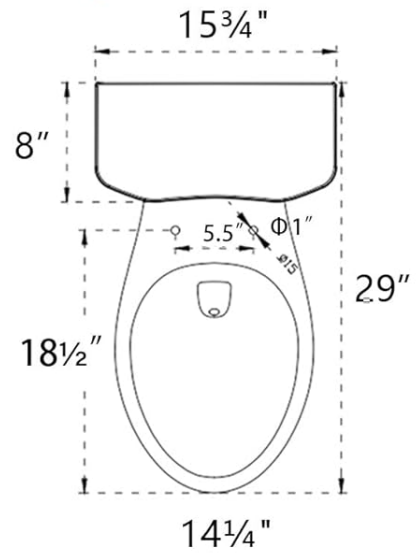


Image: Overall dimensions of the HOMLYLINK Elongated Tall Toilet.

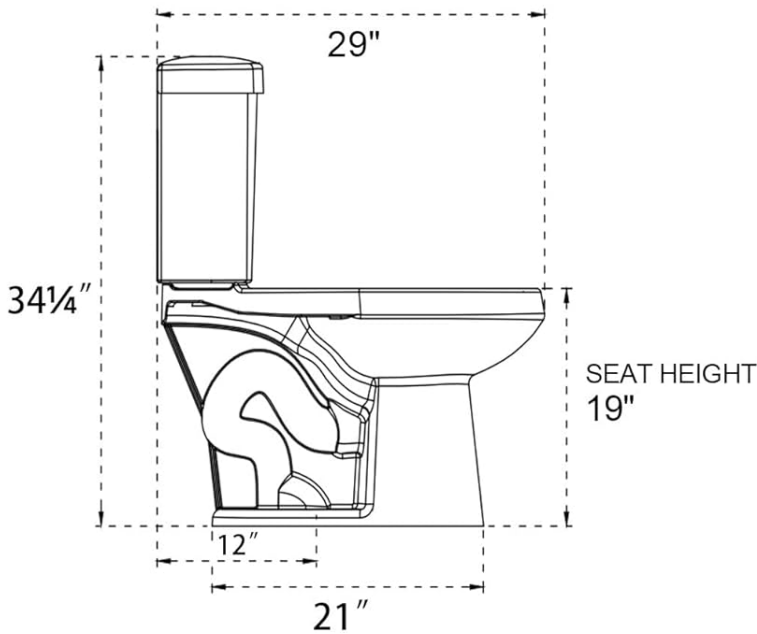
DETAILED DIMENSIONS 12" Rough-in Toilet



FRONT VIEW



TOP VIEW



SIDE VIEW

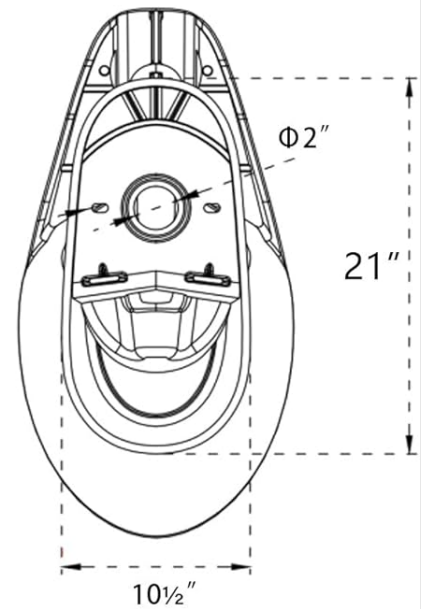


Image: Detailed technical dimensions for installation planning.

SETUP AND INSTALLATION

Tools Required:

- Adjustable wrench
- Screwdriver (Phillips and Flathead)
- Level
- Tape measure
- Utility knife
- Caulk gun and silicone sealant

Installation Steps:

1. **Preparation:** Ensure the main water supply to the bathroom is turned off. If replacing an old toilet, remove it and clean the toilet flange area thoroughly. Ensure the floor is level and clear of debris.
2. **Base Installation:**
 - Place the wax ring onto the toilet flange on the floor or directly onto the horn of the toilet bowl.
 - Carefully lower the toilet bowl onto the flange bolts, ensuring the wax ring creates a complete seal. Press down firmly and evenly.
 - Secure the toilet to the floor using the provided bolts, washers, and nuts. Tighten evenly on both sides to prevent rocking and cracking the porcelain. Do not overtighten.
3. **Water Tank Installation:**
 - Attach the tank-to-bowl bolts and rubber washers to the bottom of the tank.
 - Position the tank onto the bowl, aligning the bolts with the holes. Secure with washers and nuts from underneath the bowl. Tighten evenly until snug.
 - Connect the water supply line to the fill valve on the tank. Hand-tighten, then use a wrench for an additional quarter turn to ensure a leak-free connection.
4. **Seat Installation:**
 - Attach the soft-close seat to the bowl using the provided hardware. Refer to the seat manufacturer's specific instructions for attachment methods, as they may vary.
5. **Final Steps:**
 - Turn on the main water supply and check all connections for leaks.
 - Flush the toilet several times to ensure proper operation and fill valve function.
 - Apply a bead of silicone caulk around the base of the toilet where it meets the floor for a finished look and to prevent water from collecting underneath.

EASY TO INSTALL



Following the correct installation steps will create better user experience.

BASE INSTALLATION

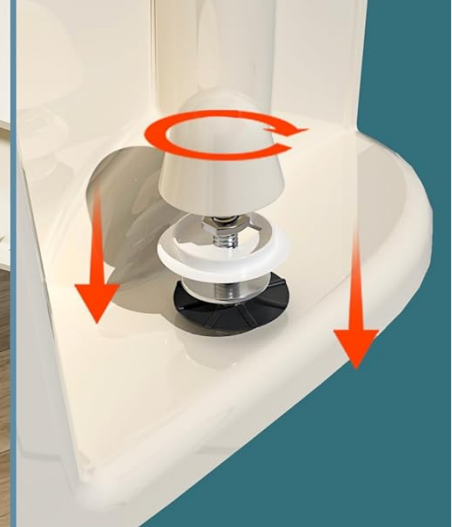
Step: 1



Step: 2

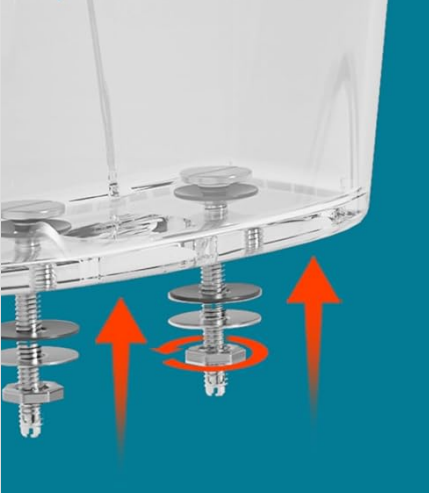


Step: 3



WATER TANK INSTALLATION

Step: 1



Step: 2



Step: 3



Image: Visual guide for the base and water tank installation process.

OPERATING INSTRUCTIONS

The HOMLYLINK Elongated Tall Toilet features a highly efficient single-flush system designed for optimal performance and water conservation.

- To flush the toilet, simply press the flush button located on the top of the water tank.
- The 1.28 GPF (Gallons Per Flush) Jet Siphon system will activate, generating a powerful 360° water flow to efficiently remove waste and clean the bowl.
- The soft-close seat is designed to close slowly and quietly, preventing slamming.

WATER-SAVING SINGLE FLUSHING

HOMLYLINK

Side button, Only 1.28 gallons per flush,
Saving your water and money.

CERTIFICATION
IN USA



EPA



Map



C

cUPC



Image: Water-saving single flush mechanism and relevant certifications.

JET SIPHON POWERFUL FLUSHING SYSTEM

- 360° Powerful Flushing
- Fully Glazed Flush Pipe
- Siphon Type
- Low Noise
- No Clogs
- No Leaks
- Anti-Odor



Image: The Jet Siphon powerful flushing system, demonstrating its efficiency.

MAINTENANCE AND CLEANING

Regular cleaning and maintenance will ensure the longevity and optimal performance of your HOMLYLINK toilet.

- **General Cleaning:** Use a soft cloth or sponge with a mild, non-abrasive bathroom cleaner. Wipe down the exterior surfaces of the toilet, including the tank and bowl.
- **Bowl Cleaning:** For the interior of the bowl, use a toilet brush with a non-abrasive toilet bowl cleaner. Flush after cleaning.
- **Soft-Close Seat:** The soft-close seat is designed to be easily removable for thorough cleaning. Refer to the seat's specific instructions for removal and reattachment. Clean the seat with mild soap and water.
- **Stain Resistance:** The toilet's porcelain glaze has an ultra-low water absorption rate, making it resistant to stains and discoloration. Avoid using harsh chemicals or abrasive tools that could damage this protective glaze.



SOFT-CLOSE SEAT

HOMLYLINK



**EASY TO INSTALL
AND REMOVE**

Image: Soft-close seat features and ease of removal for cleaning.

POWERFUL FLUSHING SYSTEM

360° JET SIPHON

18½"

29"

Elongated Toilet
Regular toilet is about 26" long.

Rapid Water Discharge

Jet Siphon Powerful Flushing

Full Glazed Flush Pipe

- **Single Flush Button**
Water saving high efficiency single full flush 1.28 per flush.
- **Jet Siphon Powerful Flushing**
360° power shing system reduces the places where waste can cling to the bow.
- **Full Glazed Flush Pipe**
Smooth and durable flush pipe
NO Clogs and No Leaks.

Image: The bone color glaze finish, emphasizing its easy-to-clean properties.

TROUBLESHOOTING

Refer to the following common issues and solutions before contacting customer service.

- **Weak Flush:**

- Check the water level in the tank. It should be at the marked waterline.
- Ensure the fill valve is functioning correctly and allowing the tank to fill completely.
- Verify that the water supply valve behind the toilet is fully open.

- **Continuous Running Water:**

- Inspect the flapper or flush valve for proper sealing. Ensure it closes completely after flushing. Adjust or replace if necessary.
- Check if the fill valve is overfilling the tank, causing water to flow into the overflow tube. Adjust the fill valve float if needed.

- **Leaks:**

- Inspect all connections (water supply line, tank-to-bowl bolts, floor bolts) for tightness. Tighten any loose connections, but avoid overtightening porcelain components.
- If leaking from the base, the wax ring may not be properly sealed or could be damaged. This may require removing the toilet and replacing the wax ring.

- **Clogging:**

- The Jet Siphon system is designed to prevent clogs. If a clog occurs, use a standard toilet plunger.
- Avoid flushing non-biodegradable items such as excessive toilet paper, paper towels, or hygiene products.

WARRANTY AND SUPPORT

Warranty: This HOMLYLINK toilet comes with a 6-year limited warranty. This warranty covers defects in materials and

workmanship under normal use and service. Please retain your proof of purchase for warranty claims.

Support: For warranty claims, technical assistance, or any questions regarding your HOMLYLINK product, please contact HOMLYLINK customer service. Refer to the contact information provided with your purchase or visit the official HOMLYLINK website.

You can also visit the HOMLYLINK Official Store for more information: [HOMLYLINK Official Store](#)