

RuiSiSi L-Shaped Platform Bed Frame with Trundle and Desk (Twin Size)

RuiSiSi L-Shaped Platform Bed Frame with Trundle and Desk Twin Size User Manual

Model: L-Shaped Platform Bed Frame with Trundle and Desk (Twin Size)

INTRODUCTION

Thank you for choosing the RuiSiSi L-Shaped Platform Bed Frame. This versatile bed frame is designed to maximize space and functionality, featuring two twin-size beds, a pull-out trundle bed, two storage drawers, and a built-in desk. Constructed from durable pine wood, it offers a sturdy foundation for your mattress without requiring a box spring. This manual provides essential information for safe assembly, operation, and maintenance of your new bed frame.

SAFETY INFORMATION

Please read and understand all safety instructions before assembly and use. Failure to follow these instructions may result in injury or damage to the product.

- Exercise caution around sharp edges and potential pinch points during assembly and use.
- Ensure all components are properly assembled and tightened according to the detailed instructions provided in the package.
- Do not exceed the maximum weight capacity of **250 pounds** for each bed.
- Keep small parts away from children during assembly to prevent choking hazards.
- Periodically check all connections and hardware to ensure they remain secure.

PACKAGE CONTENTS

Verify that all parts and hardware are present before beginning assembly. If any items are missing or damaged, please contact customer support.

- All necessary tools for assembly are included.
- Detailed assembly instructions.
- All bed frame components (wood panels, slats, hardware).
- Trundle bed frame and components.

- Storage drawer components.
- Built-in desk components.

SPECIFICATIONS

Feature	Detail
Size	Twin
Material	Pine Wood
Product Dimensions (L x W x H)	117.6" x 117.6" x 29.8"
Style	Modern
Special Features	Desk, Storage Drawers, Trundle
Compatible Mattress Size	Twin
Maximum Weight Recommendation	250 Pounds (per bed)
Assembly Required	Yes
Color	Espresso

SIZE:INCH

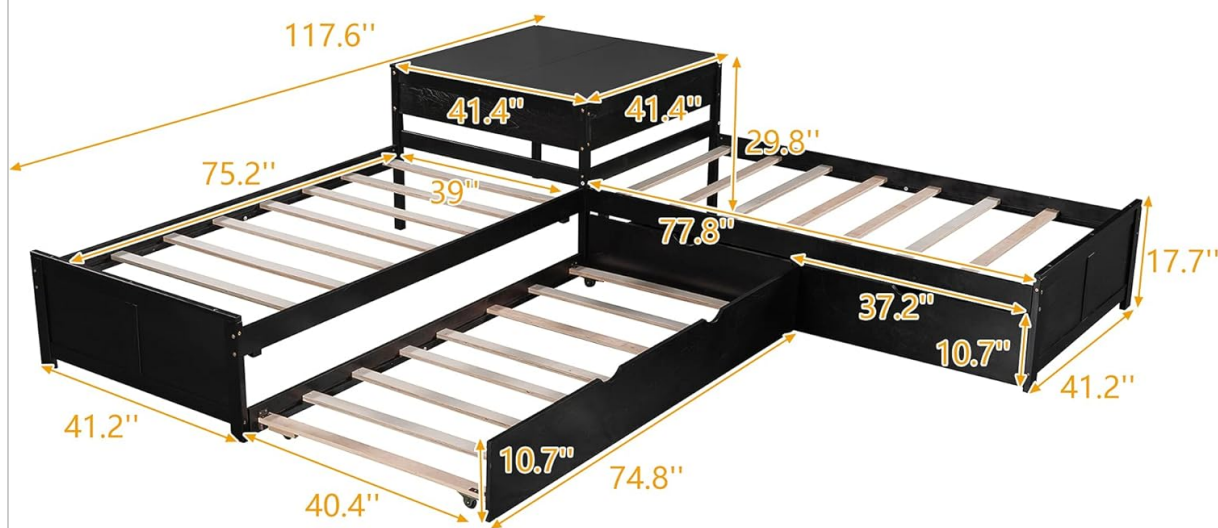


Figure 1: Overall dimensions of the RuiSiSi L-Shaped Platform Bed Frame.

SETUP AND ASSEMBLY

The RuiSiSi L-Shaped Platform Bed Frame requires assembly. A comprehensive, step-by-step instruction manual is included in your package. Please follow these instructions carefully to ensure correct and safe assembly.

1. **Unpack Components:** Carefully remove all parts from the packaging and lay them out on a clean, soft surface to prevent scratches. Verify all parts against the included parts list.
2. **Assemble Bed Frames:** Follow the instructions to assemble the two main twin bed frames, attaching side rails, headboards, and footboards.
3. **Install Slats:** Securely attach the wooden slats to the bed frames. These slats provide mattress support and eliminate the need for a box spring.
4. **Assemble Built-in Desk:** Construct the central built-in desk unit according to the diagrams.
5. **Assemble Trundle Bed:** Assemble the trundle bed frame, ensuring the wheels are properly installed for smooth operation.
6. **Assemble Storage Drawers:** Construct the two storage drawers and install them into the designated slots beneath the bed frame.
7. **Connect Units:** Join the assembled bed frames and desk unit to form the L-shape, ensuring all connections are tight and secure.

It is recommended to have two adults for assembly. Do not overtighten screws, but ensure all connections are firm.



Figure 2: View of the bed frame structure with slats and built-in desk.



Figure 3: Trundle bed extended from the main frame.

OPERATING INSTRUCTIONS

This L-shaped bed frame offers multiple functionalities for sleeping and storage.

- **Using the Trundle Bed:** The trundle bed is located beneath one of the twin beds. Gently pull the trundle

frame outwards from the main bed frame until it is fully extended. To retract, push it back into place until it is flush with the main frame. Ensure the trundle wheels are clear of obstructions.

- **Utilizing Storage Drawers:** The two storage drawers are positioned beneath the other twin bed. Pull the drawers outwards to access storage space for bedding, toys, or other items. Push them back in until they are fully closed. The drawers are convertible and can be placed on either the left or right side during assembly.
- **Built-in Desk:** The central unit functions as a built-in desk or nightstand. It provides a stable surface for lamps, books, or personal items.



Figure 4: L-shaped bed frame with trundle and drawers extended.



Figure 5: L-shaped bed frame with storage drawers closed.



Figure 6: Detail of the built-in desk.

MAINTENANCE

Proper care and maintenance will extend the life of your RuiSiSi bed frame.

- **Cleaning:** Wipe the wood surfaces with a soft, damp cloth. Avoid using harsh chemicals or abrasive cleaners, as these can damage the finish.
- **Dusting:** Regularly dust the bed frame with a dry, soft cloth to prevent buildup.
- **Hardware Check:** Periodically (e.g., every 3-6 months) inspect all bolts, screws, and connections to ensure they are tight. Retighten if necessary to maintain stability and prevent squeaking.
- **Avoid Excessive Moisture:** Protect the wood from prolonged exposure to moisture or direct sunlight, which can cause warping or fading.

TROUBLESHOOTING

If you encounter any issues with your bed frame, refer to the following common solutions:

- **Squeaking Noises:** Squeaking often indicates loose hardware. Check and tighten all bolts and screws on the bed frame, especially where the side rails connect to the headboard and footboard, and the slat supports.
- **Trundle/Drawers Sticking:** Ensure the trundle and drawers are properly aligned on their tracks or wheels. Check for any obstructions beneath or around them. Clean any debris from the tracks.
- **Instability/Wobbling:** This is typically due to loose connections. Re-check all assembly points and tighten all hardware. Ensure the bed frame is placed on a level surface.

- **Missing Parts:** If you discover missing parts during assembly, do not proceed. Contact customer support immediately for assistance.

WARRANTY AND SUPPORT

The RuiSiSi L-Shaped Platform Bed Frame comes with a **3-month warranty** from the date of purchase, covering manufacturing defects. This warranty does not cover damage resulting from improper assembly, misuse, accidents, or normal wear and tear.

For warranty claims, missing parts, or any other product-related inquiries, please contact RuiSiSi customer support. Have your purchase receipt and model information ready when contacting support.