



[Manuals.plus](#) /

> [GABRYLLY](#) /

> Gabrylly Shower System with Tub Spout, 12-Inch Rain Head and Handheld Spray, Brushed Nickel (Model G5309BN-3-12) - Instruction Manual

## GABRYLLY G5309BN-3-12

# Gabrylly Shower System with Tub Spout - Instruction Manual

Model: G5309BN-3-12 | Finish: Brushed Nickel

## INTRODUCTION

---

Thank you for choosing the Gabrylly Shower System. This manual provides detailed instructions for the installation, operation, and maintenance of your new shower system. Designed for durability and performance, this system includes a 12-inch high-pressure rain head, a 5-setting handheld spray, a 7.8-inch high-flow tub spout, and a 3-way pressure balance valve kit, all in a sleek brushed nickel finish. Please read this manual thoroughly before installation and retain it for future reference.

## PRODUCT COMPONENTS

---

The Gabrylly Shower System includes the following main components:

- 12-inch Rain Shower Head with 14.8-inch Shower Arm
- 5-setting Handheld Shower Head with 59-inch Shower Hose
- 7.8-inch Tub Spout
- Brass Shower Holder
- Brass Pressure Balance Shower Valve with 2-way Diverter and Stopper



*Image: Overview of the Gabrylly Shower System in brushed nickel, showing the rain head, handheld spray, control valve, and tub spout.*

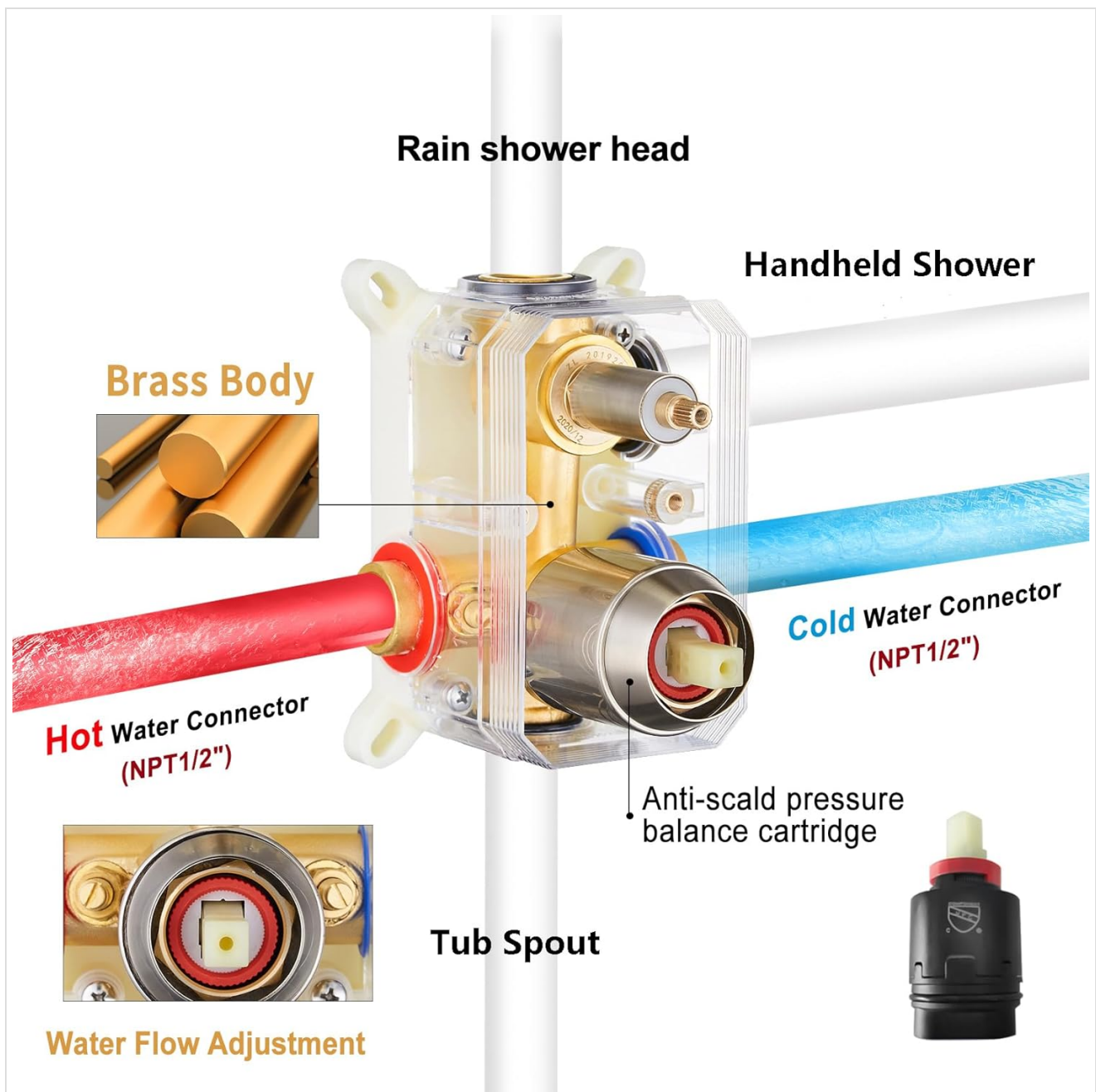
## SETUP AND INSTALLATION

---

Professional installation is recommended for this shower system. Ensure all local plumbing codes are met. The standard US NPT 1/2 thread is compatible with most pipe types. All threaded fitting connections are made of brass to prevent breakage or leakage.

### Key Installation Considerations:

- **Rough-in Valve:** The pressure balance valve is constructed of solid brass, designed to prevent bursting or water leakage in cold environments.
- **Water Flow Adjustment:** The pressure-balanced valve features adjustable hot and cold water flow rate settings. This allows for customization and simplifies cartridge replacement by enabling you to close the setting without turning off the main water supply.



*Image: Detailed diagram illustrating the internal components of the brass pressure balance valve, including hot and cold water connectors, anti-scald cartridge, and water flow adjustment.*

**Product Dimensions:**

Refer to the diagram below for precise product dimensions to ensure proper fit and installation planning.

# Product Size

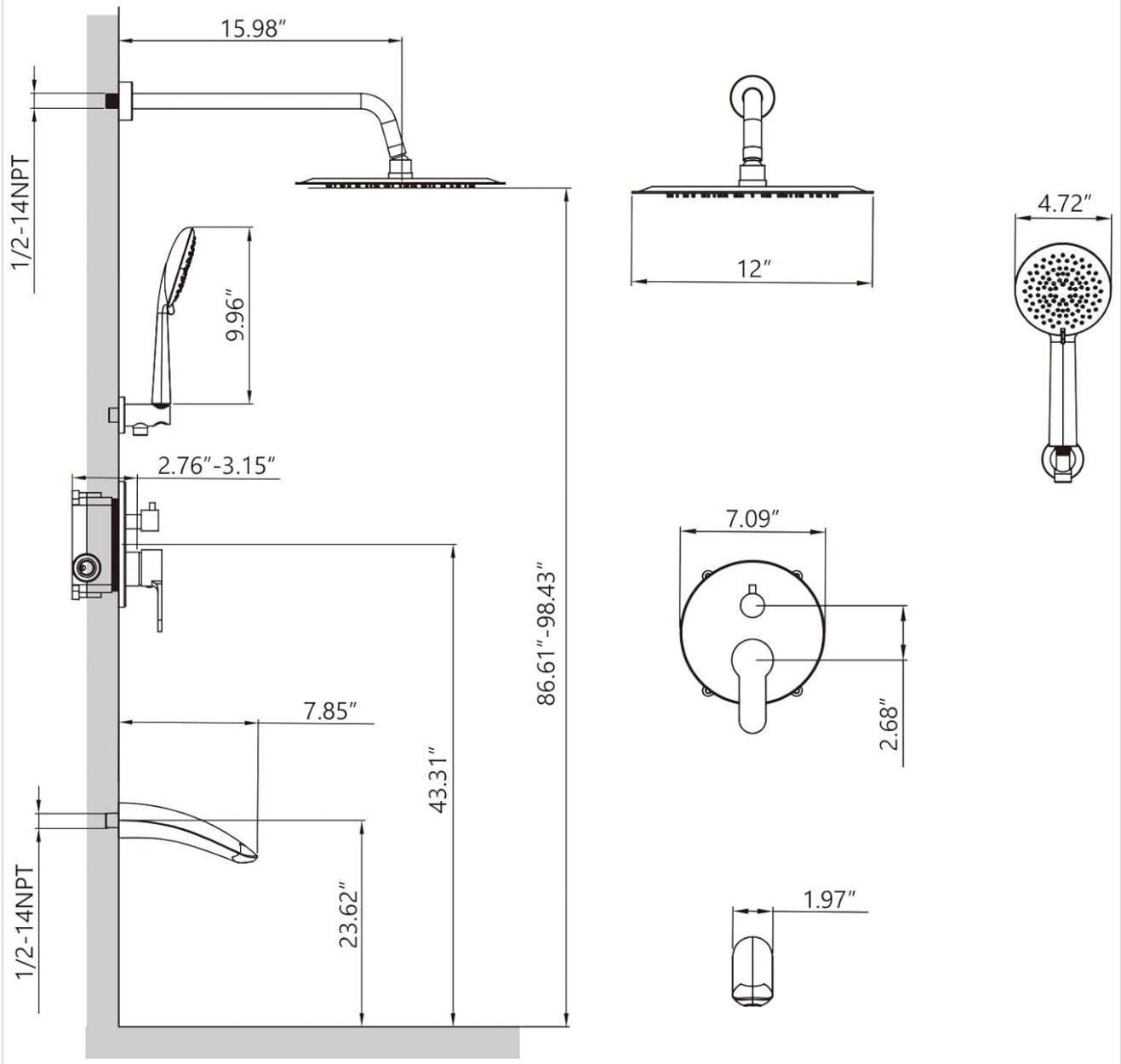


Image: Technical drawing detailing the dimensions of the rain shower head, shower arm, handheld shower, tub spout, and control valve for accurate installation.

## OPERATING INSTRUCTIONS

The Gabrylly Shower System offers versatile showering options controlled by the main valve.

- **Temperature Control:** Use the main handle on the valve to adjust water temperature. The pressure balancing valve prevents sudden temperature fluctuations, ensuring a consistent and safe shower experience.
- **Diverter Function:** The 2-way diverter allows you to switch between the 12-inch rain shower head, the 5-setting handheld shower head, or the 7.8-inch tub spout.

### Rain Shower Head:

The 12-inch ultra-thin stainless steel rain shower head utilizes pressurized technology to deliver excellent performance, even in areas with low water pressure. Its silicone nozzles feature a self-cleaning function.

# 12 Inches Rain Shower Head



*Image: A 12-inch round rain shower head mounted on a wall, demonstrating the wide, gentle water flow.*

## **Handheld Shower Head:**

The handheld shower head offers 5 distinct spray settings for a personalized experience: rain shower, rain shower with massage, massage, fast massage, and full body spray.

# 5 -Setting High Pressure Handheld Shower Head



*Image: A handheld shower head spraying water, highlighting its multiple spray patterns.*

## **Tub Spout:**

The 7.8-inch high-flow tub spout, made from high-quality stainless steel, provides a waterfall-like flow to quickly fill your bathtub, reducing temperature loss.

# High Flow Rate Tub Spout

Can quickly fill a standard tub,  
3.5 GPM @ 40 PSI



*Image: A 7.8-inch tub spout extending from the wall, with water cascading into a white bathtub.*

## MAINTENANCE

---

Regular maintenance will ensure the longevity and optimal performance of your Gabrylly Shower System.

- **Cleaning:** The silicone nozzles on the rain shower head are self-cleaning. For general cleaning of the brushed nickel finish, use a soft cloth and mild soap. Avoid abrasive cleaners or harsh chemicals that can damage the finish.
- **Anti-Fingerprint Finish:** The brushed nickel finish is designed to be anti-fingerprint and resistant to corrosion, ensuring a lasting aesthetic.
- **Valve Cartridge:** If the valve cartridge needs replacement, utilize the adjustable water flow rate settings to close the water supply to the valve without needing to turn off the main switch.

## TROUBLESHOOTING

---

If you encounter any issues with your shower system, refer to the following common troubleshooting tips:

- **Low Water Pressure:** Ensure that the main water supply is fully open. Check for any clogs in the shower head nozzles (which are self-cleaning, but can sometimes accumulate mineral deposits).

- **Temperature Fluctuations:** The pressure balancing valve is designed to prevent this. If fluctuations occur, check the hot and cold water supply lines for consistent pressure.
- **Leaks:** Verify all connections are tight and properly sealed with plumber's tape during installation. If leaks persist from the valve, the cartridge may need inspection or replacement.
- **Diverter Not Switching:** Ensure the diverter handle is fully engaged in the desired position. If it feels stiff or doesn't switch completely, there might be an internal issue requiring professional inspection.

## SPECIFICATIONS

Feature	Detail
Brand	GABRYLLY
Model Number	G5309BN-3-12
Color	Brushed Nickel
Material	Brass, Plastic, Stainless Steel
Finish Type	Brushed
Number of Handles	2
Mounting Type	Wall Mount
Rain Head Size	12 inches
Tub Spout Reach	7.8 Inches
Handheld Spray Settings	5 (Rain, Rain with Massage, Massage, Fast Massage, Full Body Spray)
Included Components	12 inch rain shower head X 1, 14.8 inch shower arm X1, 5-setting handheld shower head X 1, 7.8 inch tub spout, brass shower holder, and brass pressure balance shower valve with 2-way diverter

## WARRANTY AND SUPPORT

GABRYLLY is committed to providing high-quality products and excellent customer service. While specific warranty details are not provided in this manual, customer reviews indicate strong after-sales support, including prompt responses and replacement parts for issues like dripping valves.

For any questions, technical assistance, or warranty claims, please contact GABRYLLY customer support through their official channels or the retailer where the product was purchased. Please have your model number (G5309BN-3-12) and purchase information ready.