



Manuals.plus /

› **Sortfle** /

› Sortfle AM22 Smart Blinds Motor User Manual for 1.25 inch (32mm) Shade Tubes

Sortfle AM22

Sortfle AM22 Smart Blinds Motor User Manual

Model: AM22 | Brand: Sortfle

1. INTRODUCTION

This manual provides detailed instructions for the installation, operation, and maintenance of your Sortfle AM22 Smart Blinds Motor. Please read this manual thoroughly before use to ensure proper functionality and longevity of your device.

2. PRODUCT OVERVIEW & COMPONENTS

The Sortfle AM22 Smart Blinds Motor is designed to automate your existing roller sunshades, offering convenience through Bluetooth connectivity, RF remote control, and smart home integration via a Tuya Bluetooth Gateway.

Included Components:

- AM22 Smart Blinds Motor
- 1-Channel RF Remote Control
- 5V 1A Type-C Charging Cable
- Mounting Brackets
- User Manual

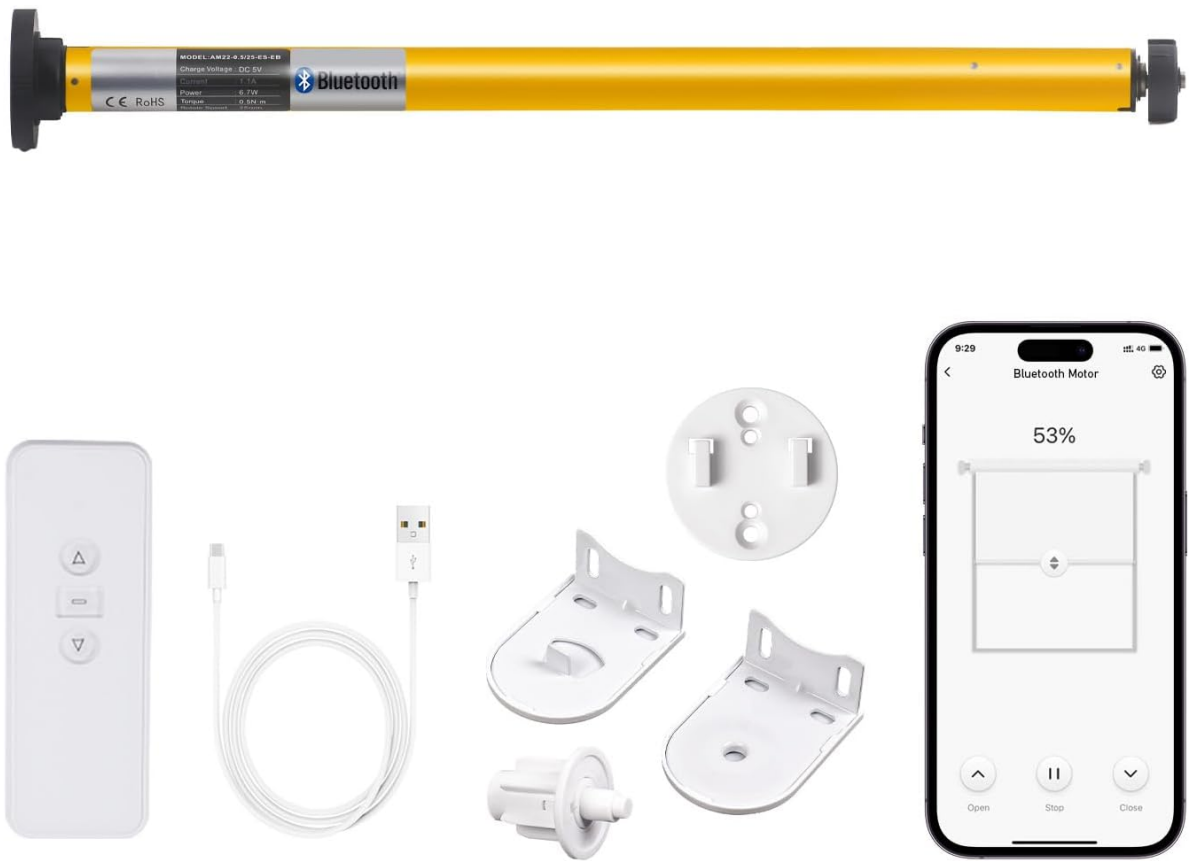
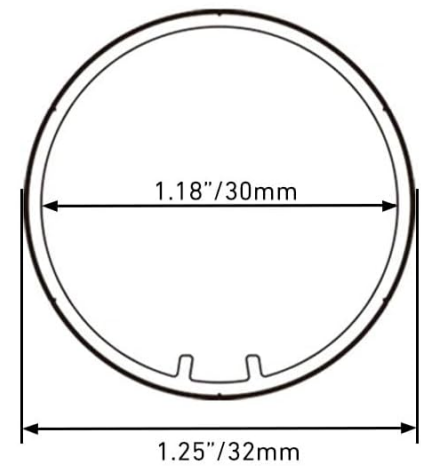
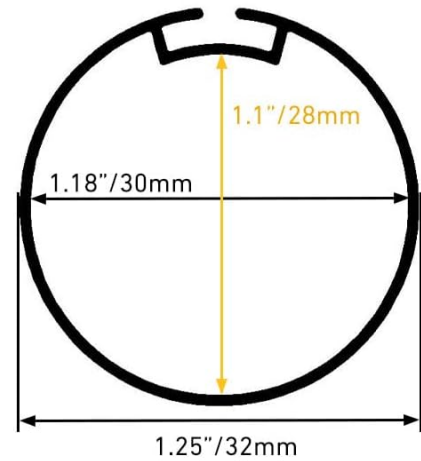
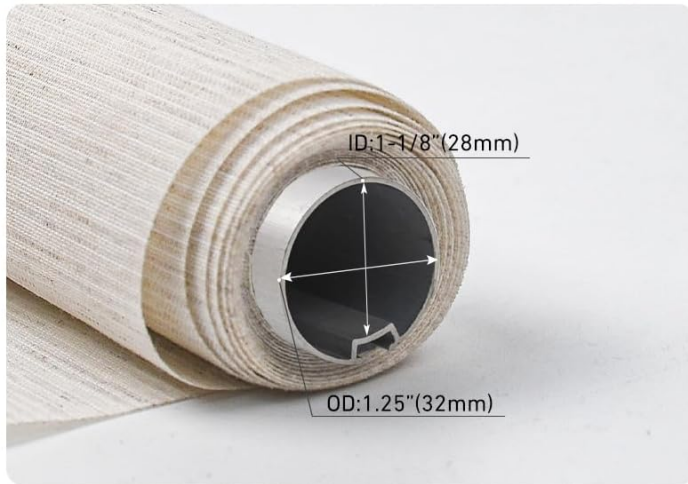


Figure 1: AM22 Smart Blinds Motor, RF remote, charging cable, mounting brackets, and a smartphone displaying the control app.

3. COMPATIBILITY

This tubular motor is specifically designed for 1.25 inch (32mm) roller blind tubes. The motor drive head has a diameter of 1.2 inches (29mm). Please verify your existing shade tube dimensions for compatibility before installation.

Compatible With 32mm Tubes



Please examine carefully if your tube is compatible

Figure 2: Ensure your roller blind tube has an outer diameter (OD) of 1.25 inches (32mm) and an inner diameter (ID) of 1.1 inches (28mm) for proper fit.

4. SETUP & INSTALLATION

4.1 Motor Assembly

1. Attach the crown and drive wheel to the motor shaft. Ensure they are securely fastened.
2. If your existing brackets are not compatible, use the provided brackets or adapters.

Your browser does not support the video tag.

Video 1: This video demonstrates the installation and setup process for the AM25 motor, which is similar to the AM22 model. It covers attaching the crown and drive wheel to the motor.

4.2 Removing Manual Blind Components

Carefully remove the existing manual drive system (e.g., pull cord mechanism) from your roller shade. Ensure the shade fabric remains rolled up to prevent unraveling.

Your browser does not support the video tag.

Video 2: This video illustrates how to motorize existing blinds, shades, and draperies, including the removal of manual components.

4.3 Inserting Motor into Shade Tube

1. Gently insert the assembled motor into the roller blind tube. Ensure a snug fit.
2. Secure the motor and shade tube back into the mounting brackets.

Installation To Roller Shade



Figure 3: Visual guide for inserting the motor into the roller shade tube.

Your browser does not support the video tag.

Video 3: This video provides a step-by-step guide on how to install the smart blinds motor into a roller shade.

5. OPERATION

5.1 Control Modes

The AM22 motor offers flexible control options:

- **Smartphone APP (Bluetooth Direct):** Connect directly via Bluetooth to set motor working mode, rolling shutter limits, and control without a gateway.
- **Tuya Bluetooth Gateway:** Connect the motor to a Tuya Bluetooth Gateway for Alexa/Google

Home voice control and APP timing control.

- **RF433Mhz Remote Control:** Use the included 433Mhz remote for direct control. Multi-channel remotes can control multiple shades simultaneously.



Control Mode Two

The motor connects to the tuya Bluetooth gateway, which allows you to realize Alexa, Googlehome voice control, and directly control your roller Blinds with your stereo, as well as remote control from your cell phone, so you can control the roller shades in your home from the office!

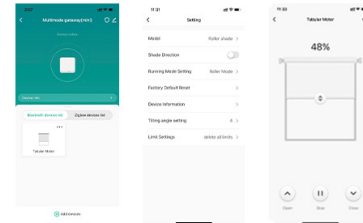


Figure 4: Overview of the three available control methods for the AM22 Smart Blinds Motor.

5.2 App Setup & Limit Setting

1. Plug in the motor's power.
2. Press the program button on the motor head (usually 4 short presses, then hold the 5th press for 3 seconds) to enter Wi-Fi pairing mode. The motor will jog briefly.
3. Open the Smart Life app, tap 'Add Device', and follow the prompts to connect the motor to your 2.4GHz Wi-Fi network.
4. Once connected, use the app interface to raise the blind to your desired upper limit and set 'Limit Up'.
5. Lower the blind to your desired bottom limit and set 'Limit Down'.

Your browser does not support the video tag.

Video 4: This video demonstrates the Zigbee and Bluetooth motor installation and app setup method, including setting limits.

5.3 Remote Control Pairing

1. Press and hold the program button on the motor head for 3 seconds. The motor will jog.
2. Immediately press the 'Up' button on your RF remote control. The motor will jog again, confirming successful pairing.

Your browser does not support the video tag.

Video 5: This video explains how to program the remote to operate motorized blinds.

6. CHARGING

The AM22 motor features a built-in lithium battery, eliminating the need for wiring or wall sockets during installation. It can be used for approximately 4-6 months on a single charge (based on two lifts per day).

- Charge using a universal Type-C 5V/1A charger.
- The motor is compatible with a solar charger (sold separately) for continuous charging.

Your browser does not support the video tag.

Video 6: This video evaluates the performance of an 8.4V solar panel, demonstrating its charging capabilities for tubular motors.

7. MAINTENANCE

- Keep the motor and remote control clean and free from dust.
- Avoid exposing the motor to extreme temperatures or moisture.
- Charge the motor regularly to maintain battery health, especially if not in frequent use.
- If the drive crowns need replacement, refer to the specific instructions for AM25 motors, which may be similar.

Your browser does not support the video tag.

Video 7: This video demonstrates how to replace drive crowns on AM25 motors, which can be a useful reference for similar AM22 maintenance.

8. TROUBLESHOOTING

- **Motor not responding:** Check battery level and ensure the remote is paired correctly. Verify Wi-Fi connection if using app control.
- **Limits not set correctly:** Re-enter limit setting mode via the app and adjust upper and lower positions.
- **Motor making unusual noise:** Ensure the motor is properly seated within the shade tube and that there are no obstructions.

9. SPECIFICATIONS

Feature	Detail
Model Number	AM22-ES-EB-Motor-kit
Brand	Sortfle
Package Dimensions	17 x 3.25 x 2.5 inches
Item Weight	1.75 pounds
Battery	1 Lithium Ion (included)
Charge Voltage	DC 5V
Torque	0.5N/m
Noise Level	Less than 35db
Control Methods	Bluetooth App, RF Remote, Tuya Gateway (for Alexa/Google)
Tube Compatibility	1.25" (32mm) Roller Blind Tube

10. WARRANTY & SUPPORT

For warranty information or technical support, please refer to the product packaging or contact Sortfle customer service directly. Keep your purchase receipt as proof of purchase.