



[Manuals.plus](#) /

> [Bellemave](#) /

> Bellemave Twin Over Twin Bunk Bed with Stairs Instruction Manual (Model FST00134-T-AK1)

## Bellemave FST00134-T-AK1

# Bellemave Twin Over Twin Bunk Bed with Stairs Instruction Manual

Model: FST00134-T-AK1

## INTRODUCTION

---

This manual provides detailed instructions for the assembly, safe operation, and maintenance of your Bellemave Twin Over Twin Bunk Bed with Stairs. Please read all instructions carefully before assembly and use to ensure safety and product longevity. Keep this manual for future reference.

## SAFETY INFORMATION

---

**WARNING: Failure to follow these warnings and instructions could result in serious injury or death.**

- Always assemble according to the included instructions to prevent instability or collapse.
- Keep the area around the bed clear to prevent falls.
- Be cautious of sharp edges and splinters during assembly.
- Do not exceed the maximum weight recommendation of 250 pounds for either bunk.
- Supervise children at all times when they are using the bed.
- The top bunk is intended for children aged 6 years and older.
- Ensure mattresses fit snugly within the bed frame to prevent entrapment.
- Do not allow jumping on the bed.
- Always use the ladder for access to the top bunk.
- Periodically check and ensure that the guardrail, ladder, and other components are in their proper position and are secure.

## PACKAGE CONTENTS

---

Before beginning assembly, ensure all parts are present. Refer to the parts list in your separate assembly

guide. The package should contain the following main components:

- Bed Frames (Headboards, Footboards, Side Rails)
- Guardrails for Upper Bunk
- Wooden Slats for Mattress Support
- Integrated Ladder/Stairs
- Assembly Hardware (screws, bolts, nuts, washers, Allen wrench)
- Instruction Manual

## SETUP AND ASSEMBLY

---

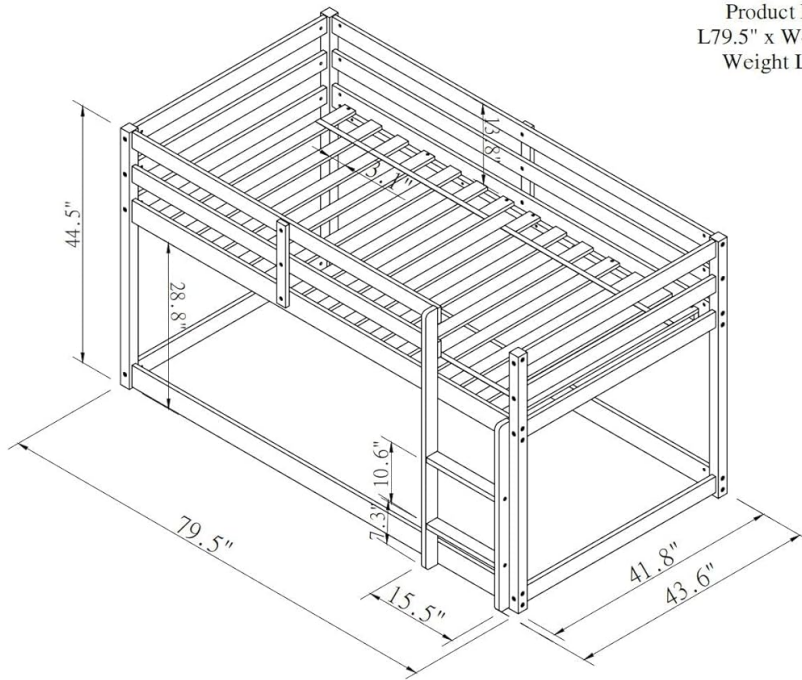
Assembly is required for this bunk bed. It is recommended that two adults assemble this bunk bed to ensure safety and ease of construction. A full set of hardware is provided. Please follow the step-by-step instructions provided in the separate assembly guide included with your purchase.

### General Assembly Steps:

1. **Unpack and Identify:** Carefully unpack all components and lay them out on a clean, soft surface (e.g., a carpet or blanket) to prevent scratches. Identify all parts against the parts list in your assembly guide.
2. **Assemble Main Frames:** Begin by assembling the main bed frames (headboards, footboards, and side rails) for both the upper and lower bunks according to the specific instructions.
3. **Attach Guardrails:** Securely attach the safety guardrails to the upper bunk frame. Ensure they are firmly fastened.
4. **Install Slats:** Install the wooden slats onto both bunk frames. Ensure they are evenly spaced and securely attached to provide proper mattress support.
5. **Attach Ladder/Stairs:** Securely attach the integrated ladder/stairs to the bunk bed structure. Verify that it is stable and can support weight safely.
6. **Final Tightening:** Once the bed is fully assembled, go back and tighten all connections. Avoid over-tightening to prevent damage to the wood.

Product material: Pine wood / PB / Plywood

Product Dimensions  
L79.5" x W43.6" x 44.5"H  
Weight Limit: 200 lb



DN11728

This diagram illustrates the overall dimensions of the Bellemave Twin Over Twin Bunk Bed, including length, width, height, and specific measurements for the ladder and bed levels. Product material: Pine wood / PB / Plywood. Product Dimensions: L79.5" x W43.6" x 44.5"H. Weight Limit: 200 lb.



A front view of the fully assembled Bellemave Twin Over Twin Bunk Bed in white, showcasing its low-profile design, integrated ladder, and safety guardrails on the top bunk.

## OPERATING INSTRUCTIONS

---

This bunk bed is designed for sleeping and resting. To ensure safe operation and use:

- Only one person should occupy the top bunk at a time.
- Ensure mattresses are of the correct size and thickness to fit securely within the bed frame and below the top edge of the guardrails.
- Do not attach or hang items to any part of the bunk bed that are not designed for use with the bed; for example, but not limited to, hooks, belts, or jump ropes.
- Periodically check and ensure that the guardrail, ladder, and other components are in their proper position and are secure.

## MAINTENANCE

---

Proper maintenance will extend the life and safety of your bunk bed:

- **Cleaning:** Clean the bed frame with a soft, damp cloth. Avoid using harsh chemicals, abrasive cleaners, or polishes that may damage the finish.

- **Hardware Check:** Regularly (e.g., monthly) check all bolts, screws, and connections to ensure they remain tight. Re-tighten as necessary to maintain structural integrity.
- **Inspection:** Inspect wooden components for any signs of wear, cracks, splinters, or damage. Replace any damaged parts immediately to prevent injury.
- **Environment:** Keep the bed in a dry environment. Avoid prolonged exposure to direct sunlight or extreme temperature changes, which can affect wood integrity.



A close-up image showing the wooden slats and the connecting strap, which provide mattress support for both the upper and lower bunks. These slats are crucial for proper mattress ventilation and support.

## TROUBLESHOOTING

---

If you encounter any issues with your bunk bed, refer to the following common solutions:

- **Squeaking Noises:** Squeaking often indicates loose connections. Check all bolts and screws throughout the bed frame and re-tighten them. Ensure all wooden slats are properly seated and secured.
- **Instability or Wobbling:** If the bed feels unstable, verify that all frame components are correctly assembled and all hardware is securely fastened. Ensure the bed is placed on a level surface. Adjust if necessary.
- **Difficulty Assembling:** If you are having trouble with assembly, double-check that you are using the correct parts for each step and that all pieces are oriented correctly. Refer to the detailed assembly

guide.

- **Missing or Damaged Parts:** If any parts are missing or damaged upon arrival, do not proceed with assembly. Contact Bellemave customer support immediately for assistance.

## SPECIFICATIONS

---

Feature	Detail
Model Number	FST00134-T-AK1
Brand	Bellemave
Size	Twin Over Twin
Material	Engineered Wood, Pine Wood
Product Dimensions (L x W x H)	79.5" x 43.6" x 44.5"
Item Weight	37 Pounds
Maximum Weight Recommendation	250 Pounds (per bunk)
Included Components	Guardrails, Slats, Ladder/Stairs
Required Assembly	Yes
Color	White
UPC	733805201791

## WARRANTY AND SUPPORT

---

For warranty information, details on returns, or technical support, please refer to the documentation included with your original purchase. You may also visit the official Bellemave website or contact their customer service department directly. Please retain your purchase receipt as proof of purchase for any warranty claims.