

Merax CC00852

Merax 53" Kitchen Cart Island with Power Outlet (Model CC00852) User Manual

Your guide to assembly, operation, and maintenance.

1. SAFETY INFORMATION

Please read all safety instructions before assembling or using the kitchen cart.

- Ensure all parts are properly secured before use.
- Do not allow children to play on, with, or around the cart.
- Be cautious when moving the cart on uneven surfaces to prevent tipping.
- Use the lockable wheels to secure the cart in place when not in use.
- The built-in power outlet is rated for 120V/12A. Do not exceed this rating to prevent electrical overload.

2. SETUP AND ASSEMBLY

This kitchen cart requires assembly. Follow the included assembly instructions carefully. Ensure all components are present before beginning.

2.1 Unpacking and Part Identification

Carefully unpack all components and verify against the parts list provided in your separate assembly guide. Keep all hardware organized.

2.2 Assembly Steps

Refer to the detailed step-by-step instructions and diagrams in your assembly manual for proper construction. Ensure all screws and fasteners are tightened securely.

2.3 Attaching Wheels

The cart is equipped with five concealed wheels. Attach them according to the assembly instructions. Two wheels are lockable; ensure they are positioned for easy access when you need to secure the cart.



Image: Detail of the concealed wheel and side racks, illustrating the mobility feature.

3. OPERATING INSTRUCTIONS

3.1 Using the Drop Leaf Countertop

The kitchen cart features a 50" W x 11.8" D drop leaf. To extend the countertop, simply unfold the leaf and ensure the support mechanism is securely engaged. To fold, release the support and lower the leaf. This provides additional workspace or dining area as needed.

Space-Saving Design

Simply open or close the latch, and it's done in one step.

Max. 29.5" (75cm)



Image: Visual guide for extending and folding the drop leaf countertop.

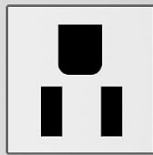
3.2 Utilizing the Built-in Power Outlet

The cart includes a charging station with 3 AC outlets (120V/12A) and 2 USB ports (5V/2A). Connect your kitchen appliances or electronic devices to these outlets for convenient power access. Ensure the total power draw does not exceed 12A.



Built-in Power Outlet

5 charging outlet can be used at same time



120V/12A

3 AC Outlets



5V/2A

2 USB Ports



6.5Ft(2m)

Power Cord

Image: The integrated power strip with three AC outlets and two USB ports.

3.3 Storage Compartments

The cart offers various storage options:

- **Drawers:** Three drawers are provided for utensils and dinnerware.
- **Side Racks:** Five open side racks with bamboo sticks are ideal for organizing spices, bottles, or wine.
- **Internal Storage:** The two barn doors conceal internal storage racks with 2-tier shelves, designed for condiments. Adjustable shelves inside the main cabinet provide flexibility for various item sizes.

Large Capacity, Savvy Design

- 5 Side Storage Racks Provide Flexible Storage
- 50" Large Table Top
- 6 Compartments for Your Every Day Items



Image: Overview of the cart's storage capabilities, including drawers, internal shelves, and side racks.

3.4 Moving and Securing the Cart

The concealed wheels allow for easy movement. To secure the cart in a stationary position, engage the locks on the two lockable wheels. To move, unlock the wheels.

4. MAINTENANCE

4.1 Cleaning

Wipe the surfaces of the kitchen cart with a dry cloth. Avoid using harsh chemicals or abrasive cleaners that may damage the finish. For spills, wipe immediately with a damp cloth and then dry thoroughly.

4.2 General Care

Periodically check all screws and fasteners to ensure they remain tight. Retighten as necessary to maintain

stability. Avoid placing excessively hot items directly on the countertop without protection.

5. TROUBLESHOOTING

5.1 Cart Instability or Tipping

- **Check Wheel Locks:** Ensure the lockable wheels are fully engaged when the cart is stationary.
- **Even Weight Distribution:** Distribute items evenly within the cart, placing heavier items on lower shelves to improve stability.
- **Tighten Fasteners:** Verify that all assembly screws and bolts are securely tightened.

5.2 Wheels Not Rolling Smoothly or Locking

- **Clear Obstructions:** Check for any debris or obstructions around the wheels.
- **Lubrication:** If wheels are stiff, a small amount of silicone lubricant can be applied to the wheel axles.
- **Lock Mechanism:** Ensure the locking mechanism is free of obstruction and fully engages/disengages.

5.3 Power Outlet Not Functioning

- **Check Power Cord:** Ensure the cart's power cord is securely plugged into a functional wall outlet.
- **Overload Protection:** The power outlet has a 12A limit. If too many high-power devices are connected, it may trip. Unplug some devices and try again.
- **Reset Button:** Check if the power outlet has a reset button and press it if necessary.

6. SPECIFICATIONS

Dimensions & Load

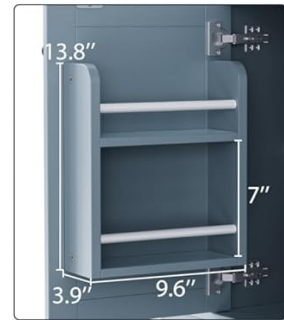
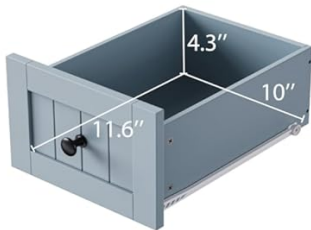
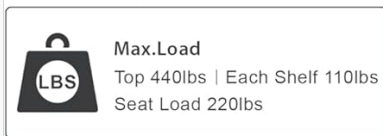
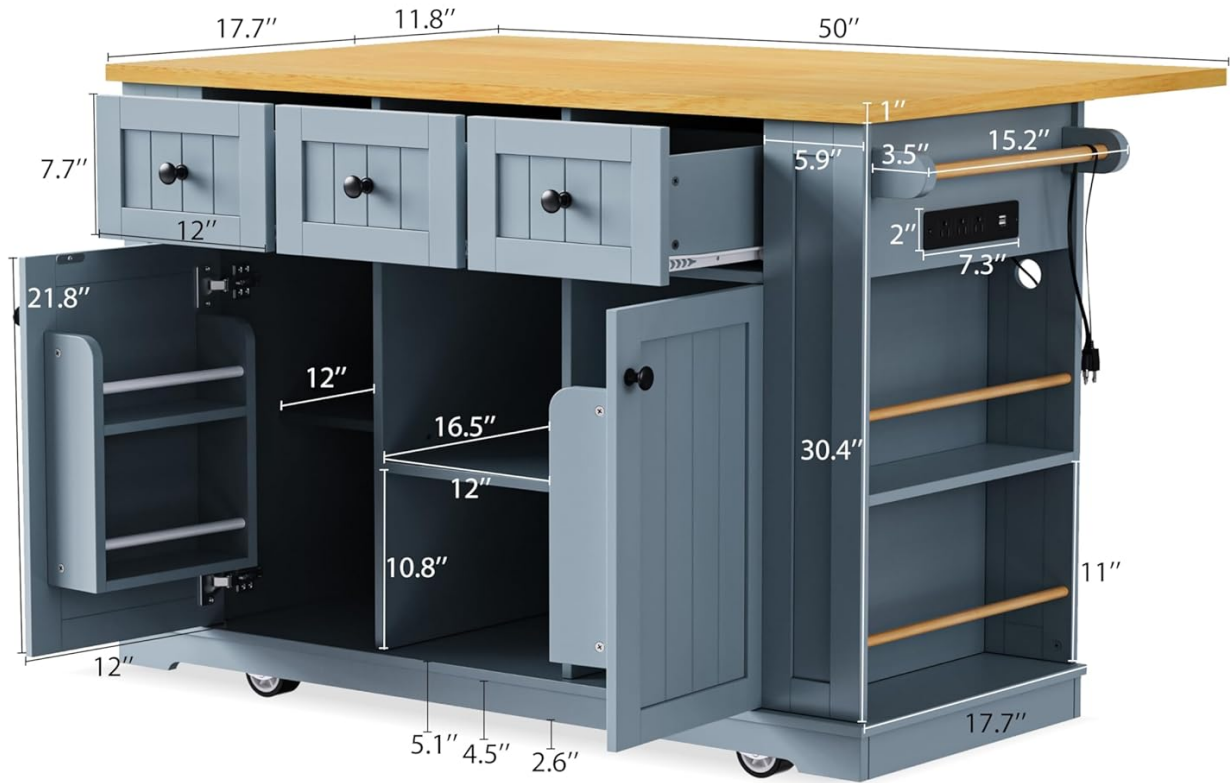


Image: Comprehensive dimensions and load capacities of the Merax Kitchen Cart.

Feature	Detail
Model Number	CC00852
Product Dimensions (D x W x H)	53.14" x 29.52" x 36.4"
Item Weight	128.75 Pounds
Material	Bamboo, Engineered Wood
Maximum Weight Recommendation (Cart)	300 Pounds
Tabletop Load Capacity	Up to 400 Pounds
Power Outlet	3 AC Outlets (120V/12A), 2 USB Ports (5V/2A)
Drop Leaf Dimensions	50" W x 11.8" D
Assembly Required	Yes

Feature	Detail
Color	Grey Blue

7. PRODUCT OVERVIEW VIDEO

Watch this official video for a visual overview of the Merax 53" Kitchen Cart Island, demonstrating its features and functionality.

Your browser does not support the video tag.

Video: A 50-second overview of the Merax 53" Kitchen Cart Island, highlighting its power outlet and seating capabilities.

8. WARRANTY AND SUPPORT

8.1 Customer Support

For any problems, questions, or assistance with your Merax Kitchen Cart, please visit our official website at [Merax.com](https://www.merax.com) or contact us directly via email at csr@merax.com.

8.2 Return Policy

This product is eligible for a 30-day return policy for refund or replacement, as per Amazon's terms. Please refer to your purchase details for specific return instructions.