



[Manuals.plus](#) /

> [NEEWER](#) /

> Neewer Teleprompter with Arca Type Camera Mount, Cold Shoes, RT113 Remote Teleprompter App, Online Teaching/Vlogger/Live Streaming Prompter for iPad Tablet, Assembly Free, X12II User Manual

## NEEWER X12II

# Neewer X12II Teleprompter User Manual

Model: X12II | Brand: NEEWER

## INTRODUCTION

The NEEWER X12 II Teleprompter is designed to enhance video production, live streaming, and vlogging by allowing users to read scripts naturally while maintaining eye contact with the camera. This all-in-one teleprompter requires no assembly and comes with a hard aluminum case for storage and transport. It features a 12-inch ultra-clear beamsplitter, an Arca-type quick release camera mount, and intelligent remote control via the NEEWER Teleprompter App.



Image: The Neewer X12II Teleprompter set up with a camera and tablet, showcasing its compact design and ease of use.

## PACKAGE CONTENTS

Upon opening your NEEWER X12II Teleprompter package, please verify that all the following items are included:

- 1 x X12 II Teleprompter
- 1 x RT113 Remote
- 1 x Cleaning Cloth
- 1 x Carrying Case

## CONVENIENT CARRYING CASE

Keep the teleprompter safe while on the go. It's also easy to carry!



## PACKAGE CONTENTS



1 x Carrying Case



1 x X12 II Teleprompter



1 x Cleaning Cloth



1 x RT113 Remote

Image: A visual representation of the teleprompter, RT113 remote, cleaning cloth, and hard carrying case included in the package.

## SETUP

The NEEWER X12 II Teleprompter is designed for quick and easy setup with no assembly required. Follow these steps to prepare your teleprompter for use:

- 1. Unpack the Teleprompter:** Carefully remove the teleprompter from its hard aluminum carrying case. The unit is pre-assembled and ready to unfold.
- 2. Mount on a Tripod:** Secure the teleprompter to a sturdy tripod using the multiple 1/4" and 3/8" threads on its base. Ensure the tripod can support the combined weight of the teleprompter, camera, and tablet (up to 22lb/10kg).
- 3. Adjust Beamsplitter Angle:** Unfold and adjust the beamsplitter glass to the desired angle, typically 40 degrees, for optimal viewing.
- 4. Install Camera:** The teleprompter features a 4-sided Arca-type dovetail quick release plate for rapid camera mounting. Simply snap your camera onto the plate. The 1/4" screw suits cameras and camcorders up to 22lb/10kg. Adjust the camera's horizontal position (up to 14.6cm) and vertical position (up to 2.6cm) for optimal alignment with the

beamsplitter.

- 5. Insert Tablet/Phone:** Place your tablet or smartphone (up to 7.9"/20cm wide) into the designated slot below the beamsplitter. Ensure it is securely seated.
- 6. Attach Accessories:** Utilize the three cold shoes and two 1/4" threads on the teleprompter's rigid aluminum alloy structure to attach accessories such as LED lights, microphones, or magic arms as needed.

## NO ASSEMBLY NEEDED

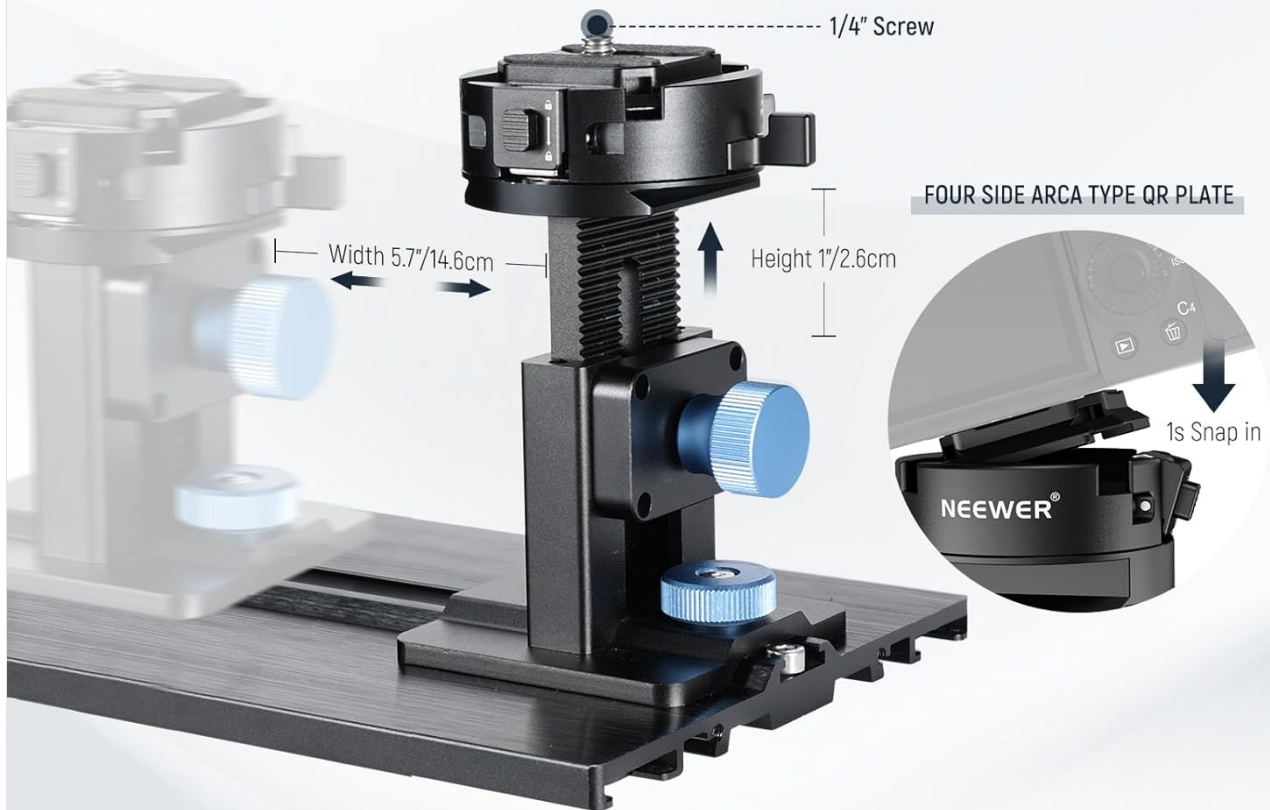
The NEEWER X12 II All in One Teleprompter is upgraded with an installation free design.



Image: Visual guide demonstrating the assembly-free setup process, including unpacking, tripod mounting, and beamsplitter adjustment.

# ARCA TYPE QR CAMERA MOUNT

With 4 sided Arca type dovetails, the square quick release plate allows rapid camera mounting and removal without alignment. suits cameras and camcorders of up to **22lb/10kg**.



## COMPATIBLE WITH



Mirrorless Camera



DSLR Camera



Video Recorder



Video Camera

Image: Detailed view of the Arca Type QR Camera Mount, highlighting its quick release mechanism and adjustable features for various cameras.

## WIDE COMPATIBILITY

Support Tablet Horizontal/Vertical Prompting Up to 7.9"/20cm



Maximum up to 7.8"/20cm

✓ Smartphones ✓ Tablets ✓ ipad

Image: Illustration of the teleprompter's wide compatibility with various tablet and phone sizes, supporting devices up to 7.9 inches (20cm) wide.

# EASY ACCESSORY EXPANSION

multiple 1/4" and 3/8" threads for secure mounting on tripods, light stands, and other supports.



Cold Shoes X3

1/4" threads X2

## MULTIPLE ACCESSORY MOUNTS

three cold shoes and two 1/4" threads attach accessories like LED lights, microphones, and magic arms

## COMPATIBLE WITH



Camera Cage  
CA020



LED Light  
RGB62



Magic Handle  
UA012



Tripod  
LT32



Monitor  
F500



Wireless  
Microphone  
CM31

Image: The teleprompter demonstrating its accessory expansion capabilities, with LED lights and microphones attached to its cold shoes and 1/4" threads.

## Setup Demonstration Video

Your browser does not support the video tag.

Video: A comprehensive demonstration of the Neewer Teleprompter with Arca Type Camera Mount, showing unboxing, setup, and various features in action.

## OPERATING INSTRUCTIONS

The NEEWER X12 II Teleprompter is designed for intuitive operation, primarily controlled via the dedicated app and remote.

### 1. Download the NEEWER Teleprompter App:

Download the official NEEWER Teleprompter App on your tablet or smartphone. The app is compatible with iOS 11.0 and Android 6.0 or later versions.

[Download for iOS](#)

[Download for Android](#)

## 2. **Pair the RT113 Remote:**

Insert AAA batteries (not included) into the RT113 remote. Pair the remote with your tablet via Bluetooth connection within the NEEWER Teleprompter App or directly through your device's Bluetooth settings.

## 3. **Load Your Script:**

Input or import your script into the NEEWER Teleprompter App. Ensure the text is clearly visible and formatted as desired.

## 4. **Control Script Playback:**

Use the RT113 remote to control the script. The quiet buttons allow you to:

- Play/Pause the script scrolling.
- Adjust the scroll speed to match your speaking pace.
- Turn script pages (forward/backward).
- Change font size for optimal readability.

## 5. **Beamsplitter Display:**

The 12-inch multicoated beamsplitter glass with 71% light transmittance ensures clear reflection of your script, allowing for a reading range of up to 10ft/3m. The reflected text will appear in reverse on the tablet, but correctly oriented when viewed through the beamsplitter.

# INTELLIGENT CONTROL

Wirelessly control via NEEWER Teleprompter APP and the included NEEWER RT113 remote.



Adjust  
Scroll Speed



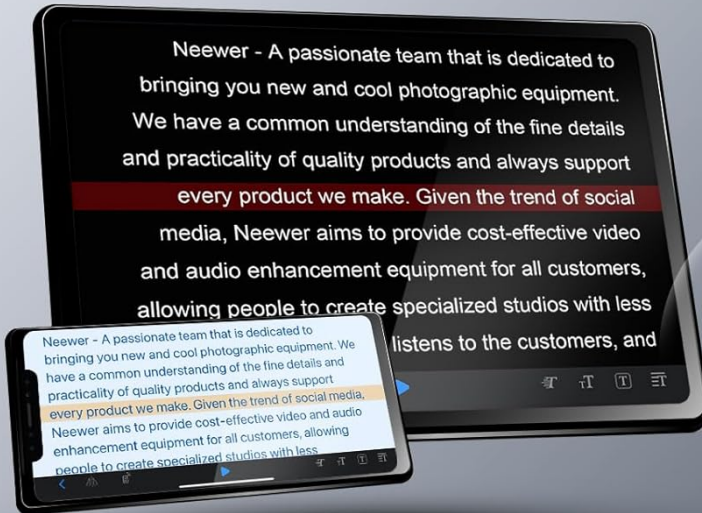
Page  
Up/Down



Play/Pause



Change  
Font Size



49ft/15m  
Control Range



iOS



Android



NEEWER  
Teleprompter

Pair with the upgraded "NEEWER Teleprompter" app.



Image: The RT113 remote control and the NEEWER Teleprompter App interface, illustrating the various functions for script management.

# HIGH DEFINITION DISPLAY

The clear beamsplitter ensures easy reading.



71%  
Light Transmittance UP TO 71%

Display Size 12"

Reading Range 10ft/3m

Viewable Area 23x22.5cm

Note: Remove the protective layer of film on the glass before use.

Image: A visual representation of the 12-inch ultra-clear beamsplitter, demonstrating its high light transmittance and clear text reflection for easy reading.

## MAINTENANCE

Proper maintenance will ensure the longevity and optimal performance of your NEEWER X12 II Teleprompter:

- **Cleaning the Beamsplitter:** Use the provided cleaning cloth or a soft, lint-free microfiber cloth to gently wipe the beamsplitter glass. For stubborn smudges, a small amount of lens cleaning solution can be applied to the cloth (not directly to the glass). Avoid abrasive materials or harsh chemicals.
- **General Cleaning:** Wipe down the aluminum alloy structure and fabric components with a dry, soft cloth to remove dust and fingerprints.
- **Storage:** When not in use, store the teleprompter in its hard aluminum carrying case to protect it from dust, moisture, and physical damage.
- **Battery Replacement:** Replace the AAA batteries in the RT113 remote when its performance degrades or it stops

responding.

## TROUBLESHOOTING

If you encounter issues with your NEEWER X12 II Teleprompter, refer to the following common troubleshooting tips:

- **Text is blurry or unclear:**
  - Ensure the protective film has been removed from the beamsplitter glass.
  - Clean the beamsplitter glass with the provided cleaning cloth.
  - Adjust the brightness and contrast settings on your tablet/smartphone.
  - Ensure your camera lens is properly aligned and focused through the beamsplitter.
- **Remote control not responding:**
  - Check if the batteries in the RT113 remote are correctly inserted and have sufficient charge. Replace if necessary.
  - Ensure the remote is properly paired with your tablet/smartphone via Bluetooth. Try re-pairing if connection is lost.
  - Make sure there are no obstructions between the remote and your device.
- **Tablet/phone not fitting or unstable:**
  - Verify that your device's width is within the supported range (up to 7.9"/20cm).
  - Ensure the tablet/phone is securely placed in the holder and the locking mechanism (if any) is engaged.
- **Camera not stable or difficult to mount:**
  - Ensure the camera is properly seated on the Arca-type quick release plate and the locking lever is engaged.
  - Check that your camera's weight does not exceed the maximum load capacity of 22lb/10kg.
  - Confirm the tripod is stable and capable of supporting the total setup weight.

For further assistance, please contact NEEWER customer support.

## SPECIFICATIONS

<b>Item Type</b>	Teleprompter
<b>Main Material</b>	Aluminum Alloy
<b>Compatibility</b>	Camera / Phone / Tablet
<b>Load Capacity</b>	22lb / 10kg
<b>Application</b>	Speech / Vlogging
<b>Mounting Points</b>	Cold Shoe, 1/4", 3/8"
<b>Main Features</b>	No Assembly
<b>Weight</b>	3.8lb / 1.7kg
<b>Folded Size</b>	14" (L) x 11.2" (W) x 4.5" (H)

<b>Package Dimensions</b>	17.8 x 16.18 x 6.65 inches
---------------------------	----------------------------

## WARRANTY AND SUPPORT

NEEWER products are designed for reliability and performance. For information regarding warranty coverage, product registration, and technical support, please refer to the official NEEWER website or contact their customer service directly. You can visit the [NEEWER Store on Amazon](#) for more product information and support resources.