



Manuals.plus /

- › Adetu /
- › Adetu 3 Inch Gimbal LED Recessed Lighting Instruction Manual

Adetu 3IN-W

Adetu 3 Inch Gimbal LED Recessed Lighting Instruction Manual

Model: 3IN-W | Brand: Adetu

1. PRODUCT OVERVIEW

The Adetu 3 Inch Gimbal LED Recessed Lights are designed for versatile indoor lighting applications, offering adjustable directionality and multiple color temperature options. These energy-efficient lights are suitable for various settings, including kitchens, living rooms, bedrooms, and offices.



Figure 1: The Adetu 3 Inch Gimbal LED Recessed Light, showcasing its adjustable design and included junction box for easy installation.

2. KEY FEATURES

- **Adjustable Directional Lighting:** The gimbal design allows for 360° horizontal rotation and 90° vertical tilt, enabling precise light direction to highlight specific areas or objects.

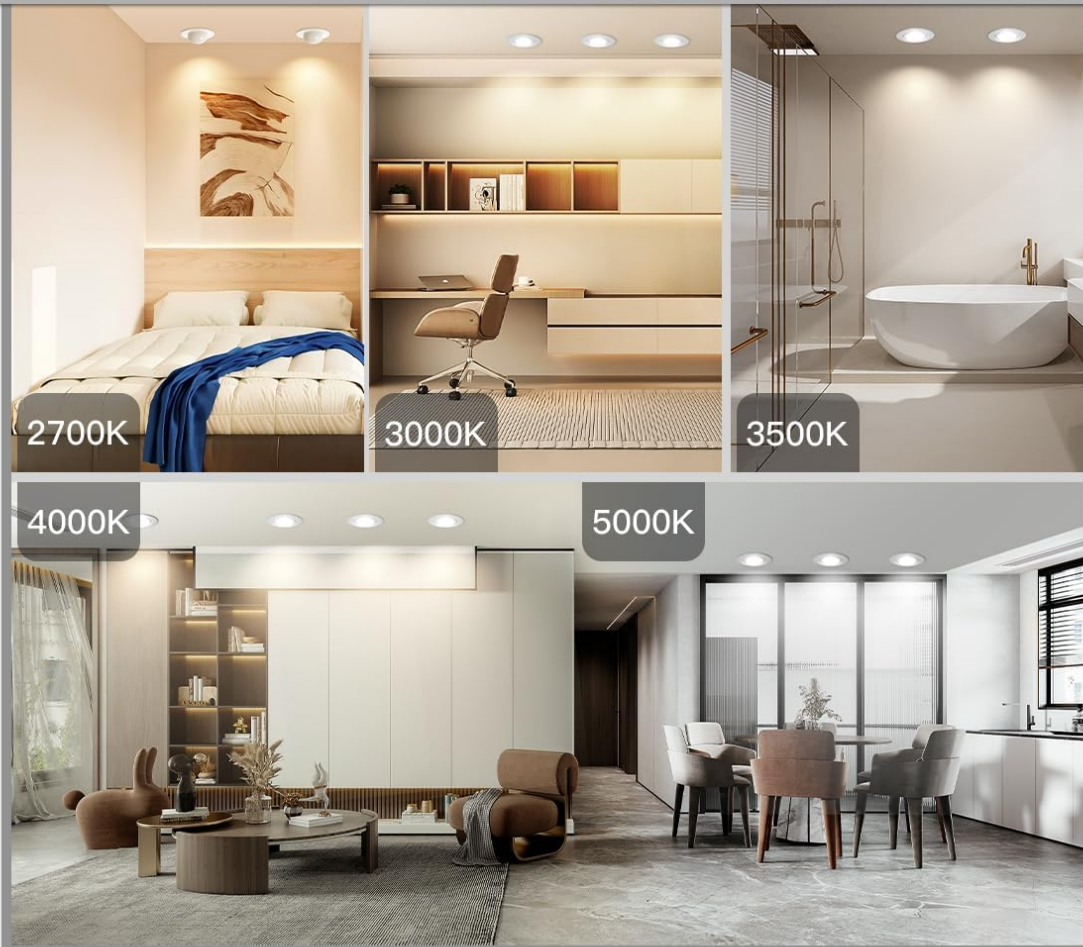


Figure 2: Illustrates the 90° tilt and 360° rotation capabilities of the light fixture, along with its air-tight design.

- **5 Color Temperature Options:** A convenient slider switch on the junction box allows selection from five color temperatures: 2700K (soft white), 3000K (warm white), 3500K (neutral white), 4000K (cool white), and 5000K (daylight). This flexibility ensures the perfect ambiance for any room.

More Colors for Your Choice

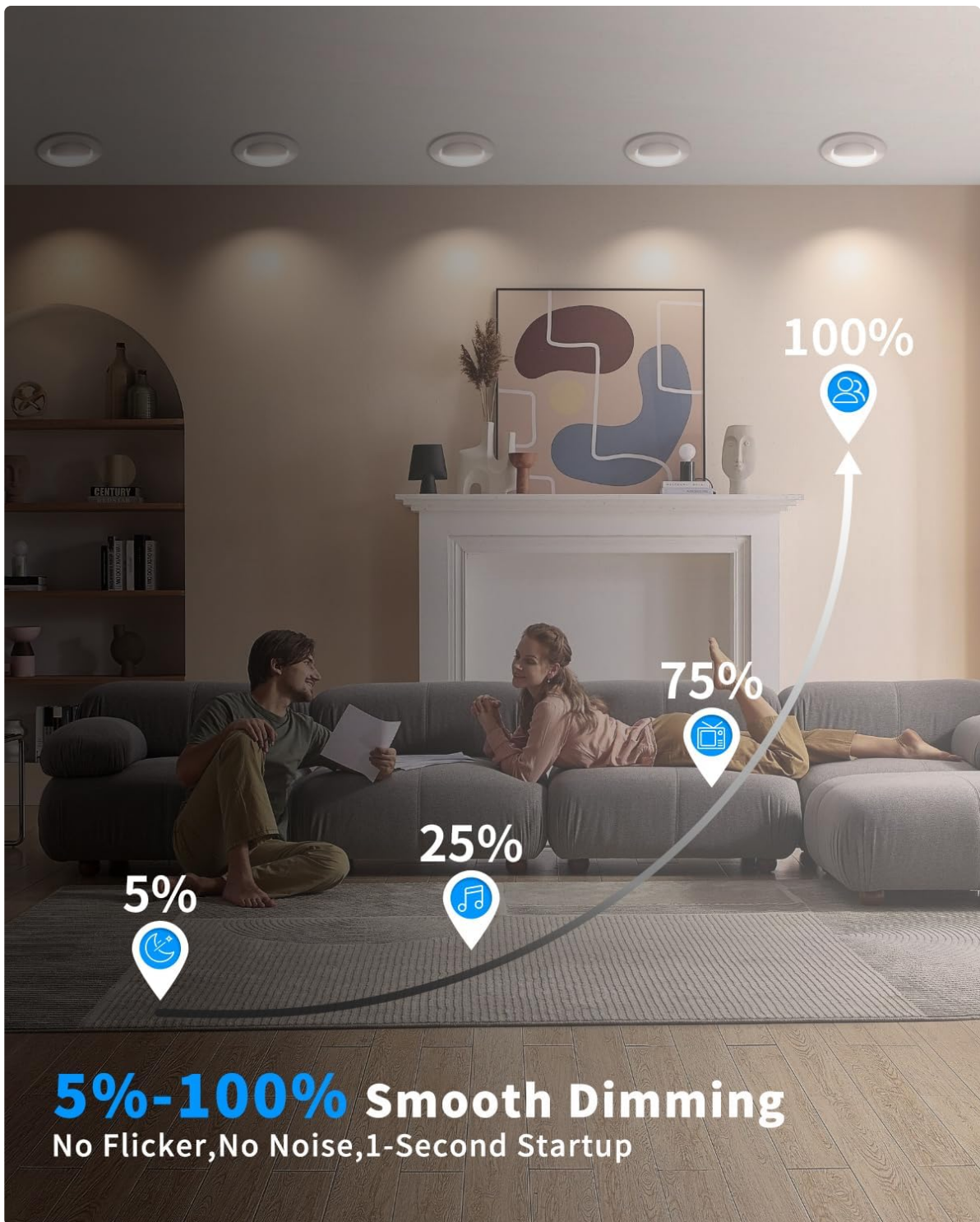
Free to choose the lighting ambience you want



Selecting Color Temperature
Via the Junction Box.



- Figure 3: Demonstrates the five selectable color temperatures and their suitability for different room environments.
- **Smooth Dimmable Performance:** Designed for 5%-100% smooth dimming, these lights provide versatile brightness control without flickering or humming, compatible with most standard LED dimmers.



5%-100% Smooth Dimming

No Flicker, No Noise, 1-Second Startup

Figure 4: Visual representation of the light's smooth dimming range, from a low 5% to full 100% brightness.

- **High Brightness & Energy Efficiency:** Each 7-watt light produces 800 lumens, offering significant energy savings (up to 88%) compared to traditional lighting.
- **Certified Safety & Durability:** IC rated, ETL & Energy Star certified, and featuring UL-certified wire terminals, these lights ensure thermal protection and meet high safety standards. Constructed with a casting aluminum heatsink and a metal driver box for enhanced durability and heat dissipation.



Figure 5: Highlights the integrated closed structure, casting aluminum heatsink, metal driver box, and UL-certified connecting wire for safety and durability.

- **High Color Rendering Index (CRI):** With a CRI of $Ra \geq 90$, these lights accurately reproduce true colors, making objects appear more vibrant and natural.

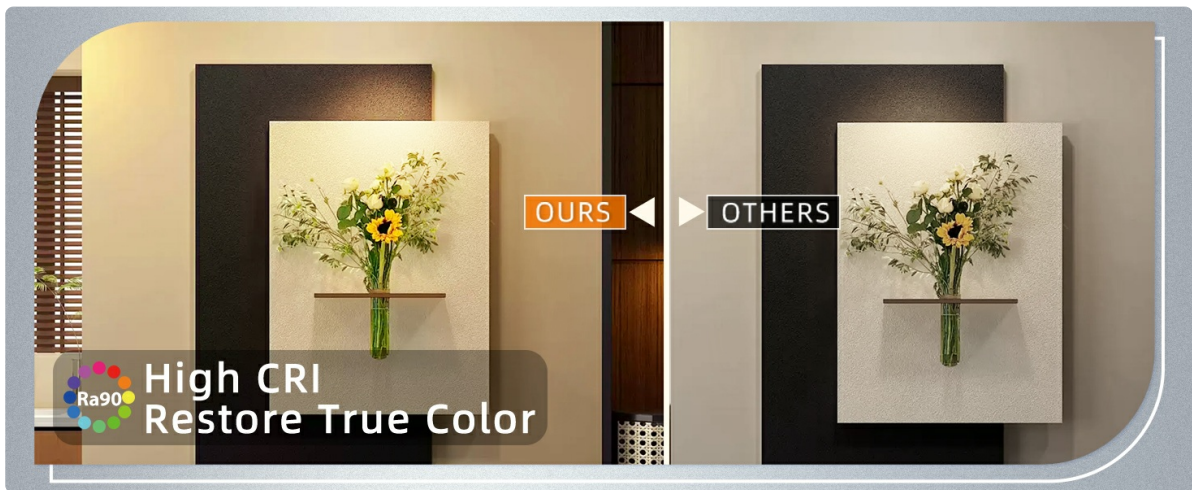
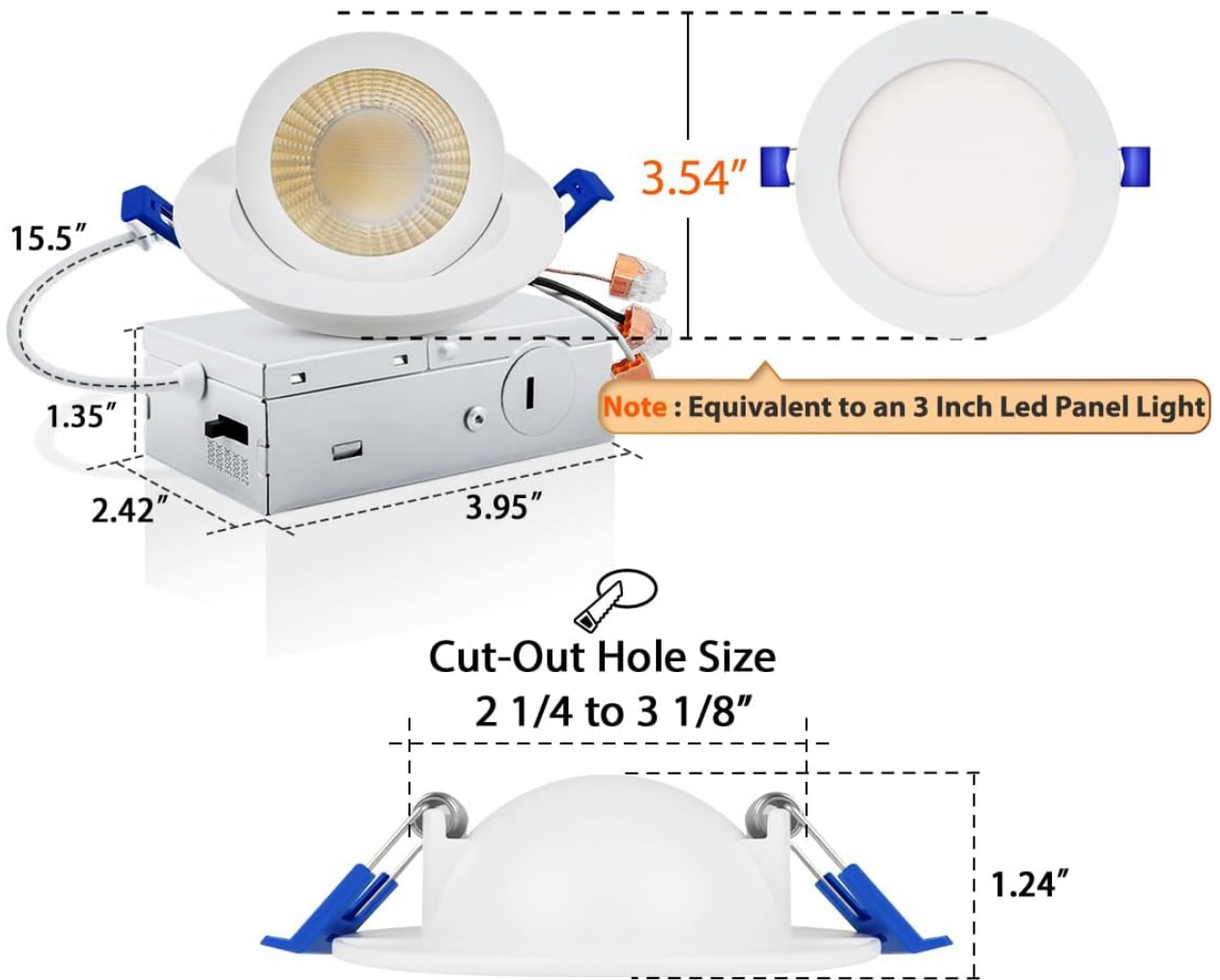


Figure 6: Demonstrates how a high CRI ($Ra90$) restores true colors compared to lights with lower CRI.

3. SPECIFICATIONS

Parameter	Value
Brand	Adetu
Model Number	3IN-W
Color	White-3 inch
Light Source Type	LED
Wattage	7 Watts
Brightness	800 Lumens
Color Temperature (CCT)	2700K, 3000K, 3500K, 4000K, 5000K (Selectable)
Dimmable	Yes (5%-100% smooth dimming)
Adjustability	360° Rotation, 90° Tilt
Installation Type	Flush Mount
Certifications	IC Rated, ETL, Energy Star, UL-certified wire terminal
Product Dimensions	1 x 1 x 1 inches (Light fixture)
Cut-Out Hole Size	2.56 to 3.15 inches (65 - 80 mm)
Included Components	Junction Box, Spring Clips



Parameter

Rated Power	7W	Service Life	50.000h
Lumens	980LM	CRI	Ra ≥ 90
Input Voltage	AC90-135V 50/60Hz		
CCT	5CCT(2700K/3000K/3500K/4000K/5000K)		

Figure 7: Detailed dimensions and electrical parameters of the Adetu 3 Inch Gimbal LED Recessed Light.

4. SAFETY INFORMATION

Please read all instructions carefully before installation and use. Retain this manual for future reference.

- **WARNING:** Risk of electric shock. Disconnect power at the fuse or circuit breaker before installing or servicing.
- This product must be installed in accordance with the applicable installation code by a person familiar with the construction and operation of the product and the hazards involved.
- Ensure the power supply voltage matches the light fixture's requirements (120 Volts DC).
- Do not modify or alter the wiring or components of the fixture.
- The junction box is thermally protected and IC rated, allowing direct contact with insulation.
- Suitable for damp locations.

5. INSTALLATION INSTRUCTIONS

Installation is designed to be straightforward. Follow these steps for a secure and proper setup:

1. **Prepare the Ceiling:** Turn off power at the circuit breaker. Use the provided cutting template (if available, or measure carefully) to mark and cut a hole in the ceiling. The recommended hole size is between 2.56 to 3.15 inches (65-80 mm).
2. **Open Junction Box:** Open the junction box and remove the appropriate knock-out.
3. **Wire Connections:** Connect the electrical wires from the power source to the wires in the junction box using the provided wire connectors.
 - Connect the black (live) wire from the power source to the black wire of the junction box.
 - Connect the white (neutral) wire from the power source to the white wire of the junction box.
 - Connect the green (ground) wire from the power source to the green wire of the junction box.

Color Temperature Selection: Before closing the junction box, use the slider switch located on the side of the junction box to select your desired color temperature (2700K, 3000K, 3500K, 4000K, or 5000K). This setting can be changed later by accessing the junction box.

4. **Secure Junction Box:** Place the wired junction box into the ceiling hole.
5. **Connect Light to Junction Box:** Connect the cable from the light fixture to the junction box connector. Ensure a tight connection.
6. **Install Light Fixture:** Push the spring clips on the light fixture upwards and insert the fixture into the ceiling hole. The clips will secure the light firmly against the ceiling.
7. **Restore Power:** Turn on power at the circuit breaker.

Install in Few Minutes



<p>1</p>	<p>2</p>	<p>3</p> <p>White-neutral wire Black-live wire Green-ground Wire</p>
<p>Cut a hole with 1:1 size of the cutting template</p>	<p>Open the junction box and remove knock-out on the side. Run wire from the power source through the hole.</p>	<p>Use the connector to tuck the wires according to the color. (If the light is color selectable (CCT), flip the switch on the side of the junction box to locate the setting that you like.)</p>
<p>4</p>	<p>5</p>	<p>6</p>
<p>Connect (tightly by hand) the junction box to the light panel.</p>	<p>Put the box in the ceiling hole. Push up the spring clips.</p>	<p>Push the light in to the ceiling and power on.</p>

Figure 8: Visual guide for installing the Adetu Gimbal LED Recessed Light, showing hole cutting, wiring, and fixture insertion.

Unlimited Installation

Ideally fit soffit to doubledrywall ceilings



Figure 9: The light fixture is designed for versatile installation, fitting various ceiling thicknesses including double drywall (0.75"), single drywall (0.37"), and soffit (0.12").

6. OPERATING INSTRUCTIONS

Once installed, operating your Adetu Gimbal LED Recessed Lights is simple:

- **Power On/Off:** Use your standard wall switch to turn the lights on or off.
- **Adjusting Color Temperature (CCT):** The color temperature is set via a slider switch on the junction box during installation. To change it, you will need to temporarily remove the light fixture from the ceiling to access the junction box and adjust the switch.
- **Dimming:** These lights are designed for smooth dimming from 5% to 100%. Use a compatible LED dimmer switch for optimal performance. Refer to the compatibility list for recommended dimmers.

Lutron		Leviton	Legrand	Maxxima	GE
SCL-153P	DV-600P	663-P	RHCL-453P	MEW-DM650	GE-18020
AY-600P	GL-600H	6683	CDLV703-PW	MEW-DM600	GE-18023
CN-600P	MACL-153M	6684	D703-PTC	Cooper	
D-603PH	AYCL-153P	IPI06	DLV703-PLA		DLC03P
LGCL-153PL	TG-600PHLH	6674	HCL453PTCCCV6	9530WS	
DV-603PG	TGCL-153P	6672	H730PTCCCV6		
TTCL-100H	DVCL-153PL	6613-P	Keygma	Lumary-WIFI	
TT-100H	DVCL-153P	6631		KD-1A	L-DS100
TT-300	GTJ-250M	6674-POW	Gosund-WIFI	Bestten	
PO-6WCL	S-600P	DD00R-DL			Gosund-DS1
MACL-LFQ	CTCL-153P	RNL06-9LW			
TGCL-153PH-LA	SCL-153P-BL	DSL06-1L2			

Note: This product does not come with a dimmer. The dimming list is provided for reference only.

Figure 10: A list of compatible dimmer switches from various brands. Note that the product does not include a dimmer.

- **Adjusting Light Direction:** The gimbal design allows for 360° rotation and 90° tilt. Gently push or pull the inner light module to direct the light beam as desired.

7. MAINTENANCE

Adetu LED recessed lights are designed for long-lasting performance with minimal maintenance.

- **Cleaning:** Ensure the power is off before cleaning. Use a soft, dry cloth to wipe the surface of the light fixture. Avoid abrasive cleaners or solvents that may damage the finish.
- **LED Lifespan:** The LED chips have a long lifespan of approximately 50,000 hours, reducing the need

for frequent bulb replacement.

- **Heat Dissipation:** The fixture is constructed with a casting aluminum heatsink and a metal driver box for efficient heat dissipation, contributing to its durability.

8. TROUBLESHOOTING

If you encounter issues with your Adetu recessed lights, refer to the following common problems and solutions:

Problem	Possible Cause	Solution
Light does not turn on.	No power supply; loose wiring; faulty switch.	Check circuit breaker. Ensure all wire connections are secure. Test the switch.
Light flickers or hums.	Incompatible dimmer switch; loose connection.	Ensure you are using a compatible LED dimmer. Check wiring connections.
Incorrect color temperature.	CCT switch on junction box is set incorrectly.	Access the junction box and adjust the CCT slider switch to the desired setting.
Light is not dimming smoothly.	Incompatible dimmer switch.	Replace with a recommended compatible LED dimmer switch.

If the problem persists after attempting these solutions, please contact Adetu customer support.

9. PRODUCT VIDEO

Watch the official product video for a visual guide on features and installation:

Your browser does not support the video tag.

Video: "3 Inch 5CCT Gimbal Led Recessed Light" by Adetu-USA. This video demonstrates the adjustable features, color temperature options, and installation process of the Adetu 3-inch gimbal LED recessed lights.

10. WARRANTY AND SUPPORT

Adetu recessed lighting products are guaranteed. For any quality problems or suggestions, please contact Adetu customer support. The product is IC rated, ETL & Energy Star certified, and the wire terminal is UL-certified, ensuring safety and quality.

For further assistance, please visit the official Adetu store or contact their customer service department.

Product Certification

Quality and safety assured

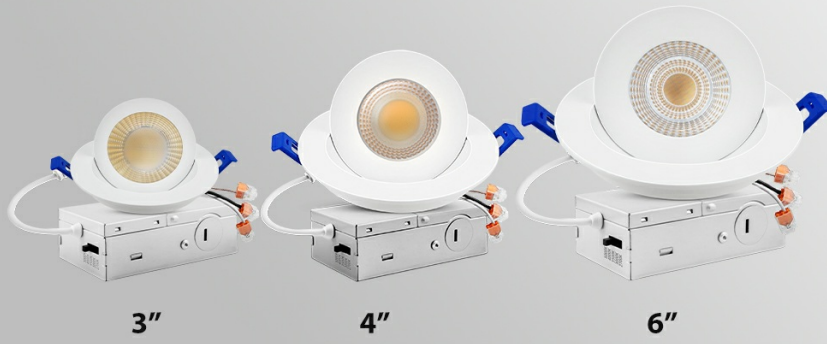


Figure 11: Adetu recessed lights are ETL and Energy Star certified, ensuring quality and safety standards are met.