

Maozhren B0DCS3MP9

Maozhren TV Stand Legs Replacement for Insignia TVs

Model: B0DCS3MP9

Brand: Maozhren

INTRODUCTION

This instruction manual provides essential information for the proper installation and use of your Maozhren TV Stand Legs Replacement. These legs are designed to provide stable support for compatible Insignia televisions. Please read this manual thoroughly before installation to ensure correct setup and optimal performance.

IMPORTANT COMPATIBILITY NOTES

These TV stand legs are NOT universal. Compatibility must be verified before purchase and installation.

- **TV Leg Size:** Each leg measures approximately 10 inches (25.5 cm) in length and 1.96 inches (5 cm) in width.
- **Hole Configuration:** Ensure your TV's bottom mounting holes are identical on both the right (R) and left (L) sides. The holes must be arranged perpendicular to the screen.
- **Hole Spacing:** Measure the distance between the two mounting holes on your TV. The leg is suitable only if the hole spacing is between 0.39 inches (10mm) and 0.78 inches (20mm). If the distance is smaller or larger than these measurements, the legs will not fit.

Critical Steps Before Purchase

Guaranteed fit only when both match! (shape & distance)

⚠ Verify TV bottom hole shape

✔ Fit for



✘ Not for



⚠ Measure the hole distance, must be between 0.39in/10mm - 0.78in/20mm



✔ 18mm/0.7in



✘ 27mm/1.06in

Figure 1: Critical steps before purchase, illustrating correct and incorrect TV bottom hole shapes and measurement for hole distance (0.39in/10mm - 0.78in/20mm).

Please Check Before Purchase

Unequal "L" and "R" won't fit.

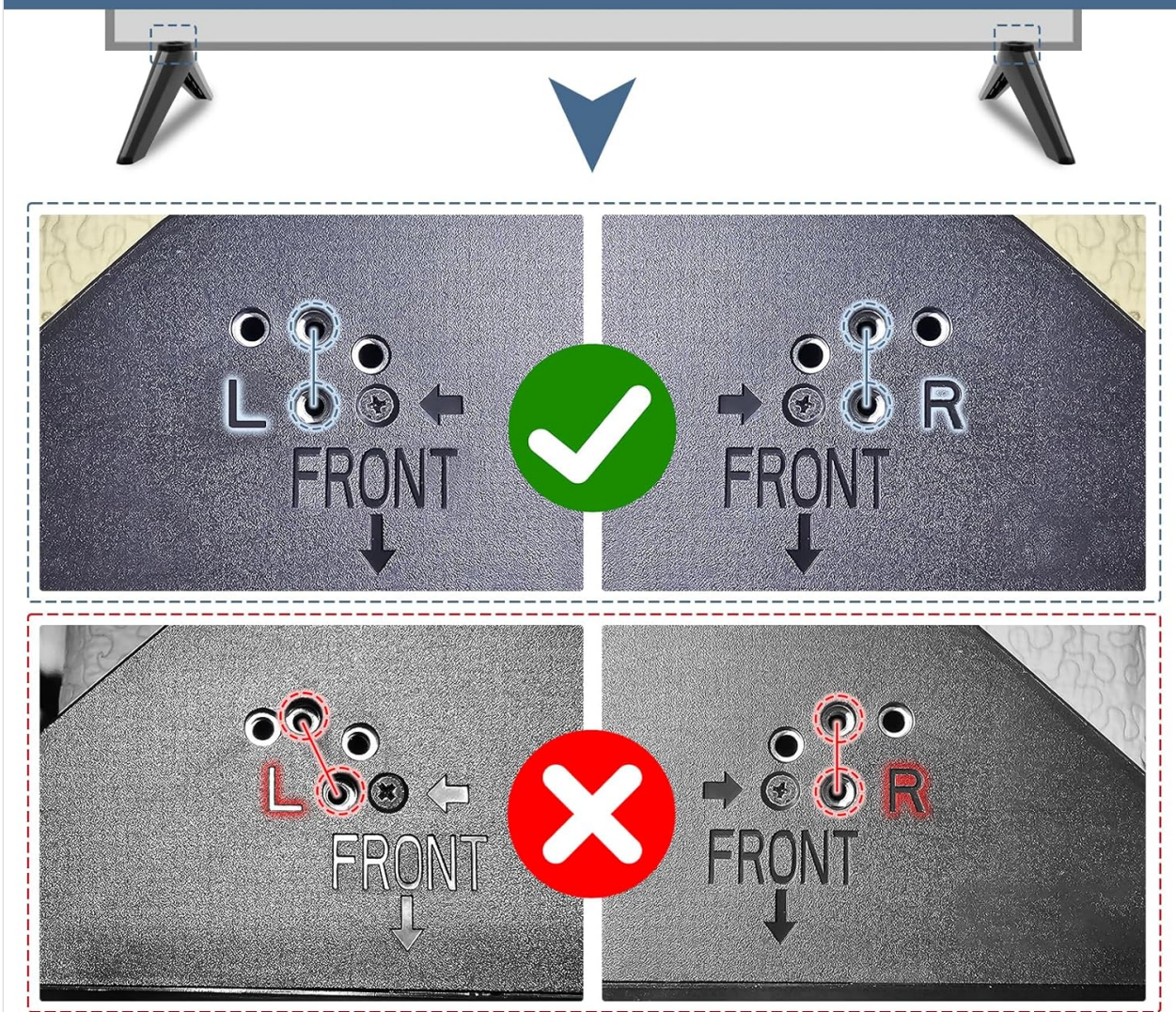


Figure 2: Visual guide for checking TV bottom hole arrangement. Both 'L' and 'R' sides must have identical and perpendicularly arranged holes for proper fit.

PACKAGE CONTENTS

Verify that all items are present in the package:

- 1 x Set of replacement legs for Insignia TV (black)
- 1 x Screw set (upgraded anti-rust kit)
- 1 x Instructions

SETUP AND INSTALLATION

Follow these steps to install the TV stand legs:

1. **Prepare the TV:** Carefully place your TV face down on a clean, soft, and flat surface to prevent screen damage during installation.
2. **Attach the Legs:** Insert the TV base stand legs into the bottom holes on your TV. Ensure the legs are oriented correctly (left leg on the left side, right leg on the right side).

3. **Secure with Screws:** Use the provided screws to secure each leg. Tighten the screws firmly but do not overtighten to avoid damaging the TV or the legs. Ensure the screws are fully tightened for stability.
4. **Position the TV:** Once both legs are securely attached, carefully lift the TV and place it on a stable, flat surface.

With 4mm Foot Pad No More Scratches

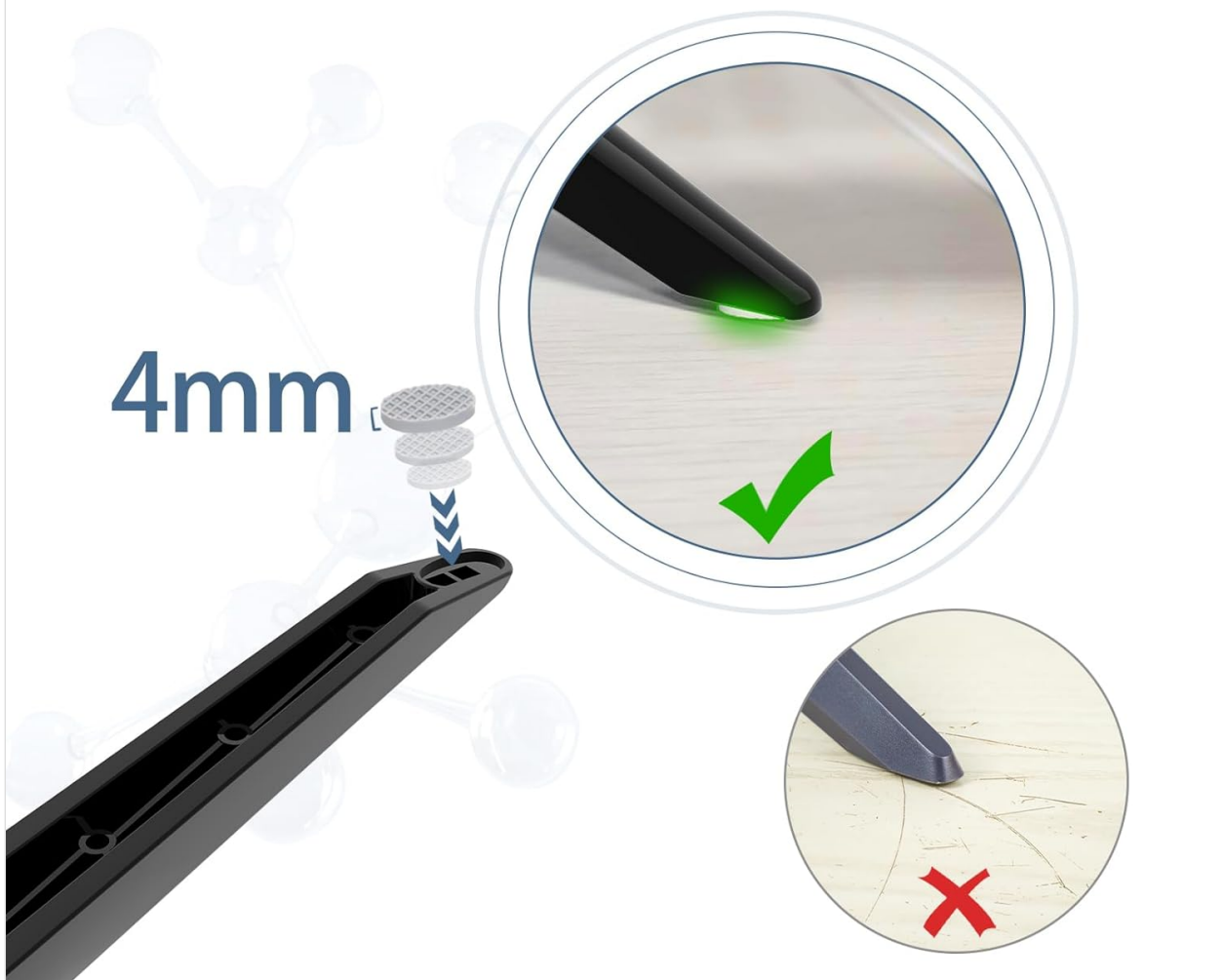


Figure 3: The TV stand legs allow for drill-free installation, protecting your walls from damage associated with wall mounts.

Installation Video Guide

Your browser does not support the video tag.

Video 1: This video demonstrates the installation process for TV stand legs, showing how to attach them to the television using screws.

OPERATING AND STABILITY

Once installed, the TV stand legs provide a stable base for your television. The design aims to position the TV at an optimal height for viewing. The legs are made of high-quality ABS material for secure and steady support.

Product Size

Please check if your table fit or not

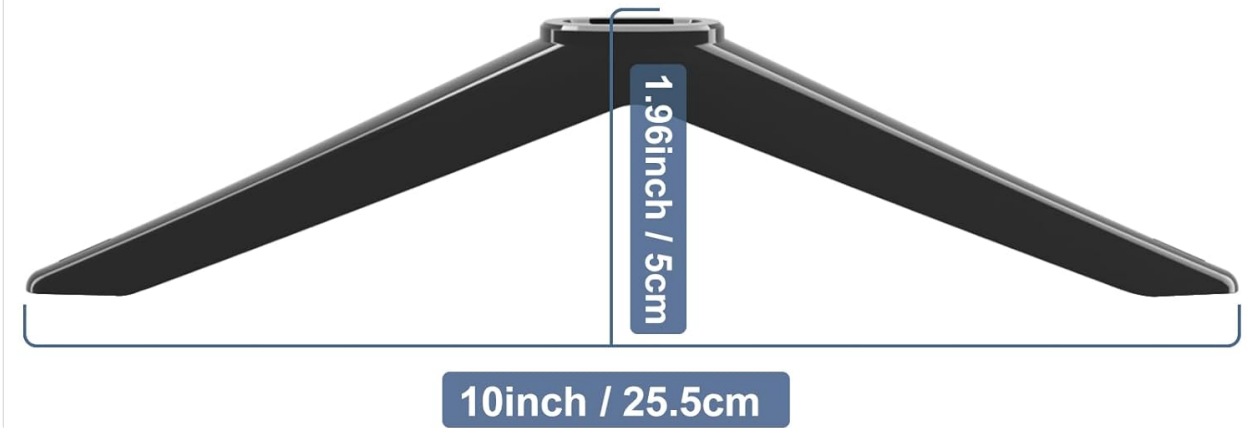


Figure 4: The legs feature a 4mm foot pad to prevent slipping and protect furniture surfaces from scratches.

MAINTENANCE

To maintain the appearance and functionality of your TV stand legs:

- Clean the legs periodically with a soft, dry cloth. Avoid abrasive cleaners or solvents.
- Regularly check the screws to ensure they remain tight and secure.

TROUBLESHOOTING

If you encounter issues during installation or use, consider the following:

- **Legs do not fit:** Double-check the compatibility notes in this manual. Ensure your TV's bottom hole configuration and spacing match the requirements. These legs are specifically designed for certain Insignia TV models and are not universal.
- **TV feels unstable:** Verify that all screws are fully tightened. Ensure the TV is placed on a flat, level, and sturdy surface.
- **Missing parts:** Refer to the 'Package Contents' section. If any parts are missing, contact Maozhren customer support.

SPECIFICATIONS

Attribute	Value
Brand	Maozhren

Model	B0DCS3MP9
Material	Acrylonitrile Butadiene Styrene (ABS)
Color	Black
Item Weight	7 ounces
Product Dimensions	10 x 1.96 inches (approximate leg size)
Mounting Type	Tabletop Mount
Movement Type	Fixed
Compatible Devices	Insignia Televisions (specific models based on hole spacing)



Figure 5: Product dimensions for the TV stand legs.

WARRANTY AND SUPPORT

For warranty information or customer support, please visit the official Maozhren Store on Amazon or contact

their customer service directly. Keep your purchase receipt for any warranty claims.

[Visit the Maozhen Store](#)

© 2025 Maozhen. All rights reserved.