



Manuals.plus /

› SINWE /

› SINWE P99 Podcast Equipment Pack User Manual

SINWE P99

SINWE P99 Podcast Equipment Pack User Manual

Model: P99

1. INTRODUCTION

The SINWE P99 Podcast Equipment Pack is an all-in-one audio solution designed for podcasting, live streaming, DJing, singing, and gaming. This comprehensive kit integrates an audio interface with a mixer and a high-quality condenser microphone, providing superior sound quality and intuitive control. This manual provides detailed instructions for setting up, operating, and maintaining your SINWE P99 equipment to ensure optimal performance.

2. PACKAGE CONTENTS

Please verify that all items listed below are included in your package. If any items are missing or damaged, please contact customer support.

- SINWE P99 Audio Interface / Mixer
- Condenser Microphone
- Adjustable Microphone Arm Stand
- Pop Filter
- Microphone Shock Mount
- Windscreen Foam Cover
- USB Connection Cable
- Audio Cables (e.g., 3.5mm TRRS cables for smartphone connection)
- User Manual



Image 1: Overview of the SINWE P99 Podcast Equipment Pack, showing the audio interface, condenser microphone, pop filter, and adjustable arm stand.

3. PRODUCT OVERVIEW

3.1 Audio Interface / Mixer

The P99 audio interface serves as the central hub for your audio setup. It features various controls for microphone gain, tonal adjustments (treble, mid-range, bass), monitor volume, and recording level. It also includes dedicated buttons for sound effects, voice changes, and noise reduction.



Fine-tune Your Audio

Microphone volume control
& pitch & auto-tune

Microphone
Gain

adjustable
tones
(Treble, Mid-range, Bass)

Monitor

12-step
auto-tune

Image 2: Detailed view of the SINWE P99 audio interface, highlighting microphone gain, adjustable tones, monitor controls, and 12-step auto-tune feature.

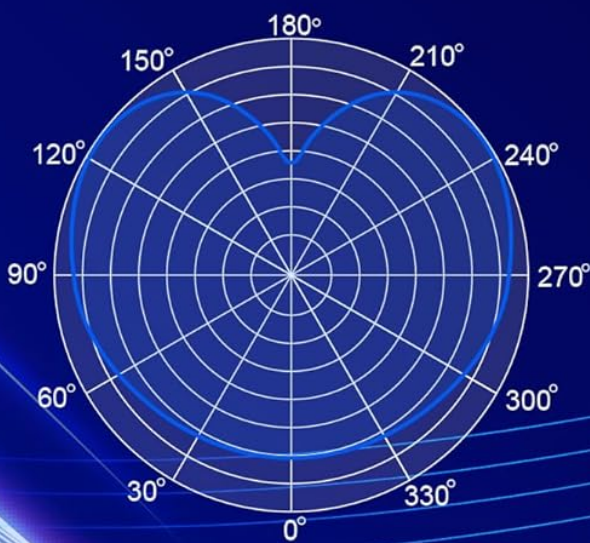
3.2 Condenser Microphone

The included condenser microphone features a 16mm diaphragm and a cardioid polar pattern. This design ensures high sensitivity and excellent signal-to-noise ratio, capturing sound primarily from the front while minimizing background noise.

NEW Upgraded Microphone For Podcast

The one labeled MC-98 is the front side
Cardioid pickup needs to be frontal to your mouth

16mm
Condenser Microphone



Cardioid PolarPattern



Image 3: Close-up of the 16mm condenser microphone, illustrating its cardioid polar pattern for focused sound capture.

4. SETUP INSTRUCTIONS

The SINWE P99 is designed for plug-and-play operation, requiring no phantom power or complex driver installations.

1. **Assemble the Microphone:** Attach the microphone to the shock mount, then secure the shock mount to the adjustable arm stand.

Position the pop filter in front of the microphone.

2. **Connect the Microphone:** Plug the microphone cable into one of the "MIC" input ports on the SINWE P99 audio interface.
3. **Connect to Device:**
 - **For PC/Laptop:** Connect the audio interface to your computer using the provided USB cable. The device should be automatically recognized.
 - **For Smartphone/Tablet:** Use the appropriate audio cable to connect the audio interface's "LIVE OUTPUT" to your smartphone's 3.5mm jack. An OTG adapter (not included) may be required for smartphones without a 3.5mm jack.
4. **Connect Headphones/Speakers:** Plug your headphones into the "HEADSET" or "EARPHONE" jack for monitoring your audio.
5. **Power On:** Press the power button on the audio interface.

Available for common devices and software



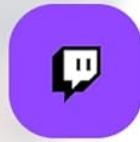
YouTube



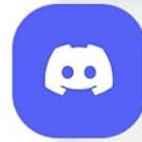
Facebook



TikTok



Twitch



Discord



OBS



Computer



PC



Tablet



Smartphone



Image 4: Rear view of the SINWE P99 audio interface, showing various input and output ports for microphones, headphones, auxiliary devices, and live output to PC/smartphone.

5. OPERATING INSTRUCTIONS

5.1 Basic Audio Adjustments

- **Microphone Gain:** Use the "MIC +" knob to adjust the microphone input sensitivity.
- **Tonal Adjustments:** Use the "TREBLE+", "ALTO+", and "BASS+" knobs to fine-tune the high, mid, and low frequencies of your voice.
- **Monitor Volume:** Adjust the "MONITOR+" knob to control the volume of your headphones or connected speakers.
- **Recording Volume:** Adjust the "RECORD+" knob to set the overall recording output level.
- **Echo:** Use the "ECHO +" knob to add reverberation to your voice.

5.2 Sound Effects and Voice Changes

The P99 offers a range of built-in sound effects and voice modulation options to enhance your content.

- **Custom Sound Effects:** The interface includes 4 customizable sound effect pads (labeled CUSTOM A, B, C, D). You can record and assign your own short audio clips to these buttons.
- **Integrated Audio Effects:** Access 5 integrated audio effects (e.g., Studio, Room, KTV, MC, Voice Only) to change the acoustic environment or isolate vocals.
- **Voice Changer:** Transform your voice with 5 unique effects, including male voice, female voice, and monster sounds.
- **12-Level Vocal Corrector:** Utilize the 12-step auto-tune feature for pitch correction.
- **Noise Reduction:** Press the "DENOISE" button to activate intelligent noise reduction, minimizing ambient sounds.
- **Loopback Function:** The "LOOP BACK" button allows the audio output from your computer or connected device to be routed back into the recording, useful for playing background music or game audio during streams.



Image 5: Illustration of the SINWE P99's soundpads, reverb modes, 12-step auto-tune, and loopback function.

5.3 Wireless Audio Input (Bluetooth)

The P99 supports wireless audio input via Bluetooth 5.0, primarily for backing tracks or background music.

1. **Activate Bluetooth:** Ensure Bluetooth is enabled on your smartphone, tablet, or PC.
2. **Pair Device:** On your device, search for available Bluetooth devices and select "SINWE P99" to pair.
3. **Play Audio:** Once connected, audio played on your paired device will be routed through the P99 audio interface.

WIRELESS AUDIO INPUT VIA BLUETOOTH

For backing track input only



Phone



Pad



PC/Laptop



Image 6: Diagram showing wireless audio input via Bluetooth from a smartphone to the SINWE P99 audio interface.

6. COMPATIBILITY

The SINWE P99 is compatible with a wide range of devices and software, making it versatile for various applications.

- **Operating Systems:** Windows, macOS, Android, iOS.

- **Devices:** PC, Laptops, Smartphones, Tablets, Speakers.
- **Software/Platforms:** OBS Studio, Discord, Twitch, TikTok, YouTube, Facebook, Streamlabs, Streamyard, Zoom.

It supports simultaneous connection to 2 devices and 2 platforms.



Image 7: Visual representation of the SINWE P99's compatibility with various streaming platforms (YouTube, Facebook, TikTok, Twitch, Discord, OBS) and devices (Computer, PC, Tablet, Smartphone).

7. MAINTENANCE

To ensure the longevity and optimal performance of your SINWE P99 Podcast Equipment Pack, follow these maintenance guidelines:

- **Cleaning:** Use a soft, dry cloth to wipe down the audio interface and microphone. Avoid using liquid cleaners or abrasive materials.
- **Storage:** Store the equipment in a cool, dry place away from direct sunlight and extreme temperatures.
- **Cable Care:** Avoid bending or crimping cables excessively. Disconnect cables by pulling the plug, not the cable itself.
- **Microphone Protection:** Always use the pop filter and windscreen foam to protect the microphone from moisture and dust.

8. TROUBLESHOOTING

If you encounter issues with your SINWE P99, refer to the following common troubleshooting steps:

Problem	Possible Cause	Solution
No sound from microphone	Microphone not connected properly; Microphone gain too low; Muted in software.	Ensure microphone cable is securely plugged in. Increase "MIC +" gain. Check software settings to ensure microphone is selected and not muted.
No sound from headphones/speakers	Headphones/speakers not connected; Monitor volume too low; Incorrect output device selected.	Verify headphone/speaker connection. Increase "MONITOR+" volume. Check your computer's sound settings to ensure the P99 is selected as the output device.
Poor audio quality / Noise	Incorrect gain settings; Environmental noise; Cable interference.	Adjust "MIC +" gain to an appropriate level (avoid peaking). Activate "DENOISE" function. Ensure cables are not near power sources or other interfering electronics.
Bluetooth not connecting	Bluetooth not enabled on device; P99 not in pairing mode; Interference.	Ensure Bluetooth is active on your device. Restart both the P99 and your device. Try pairing in a different location to rule out interference.

If the problem persists, please refer to the customer support section.

9. SPECIFICATIONS

Feature	Detail
Model Number	P99
Brand	SINWE
Connectivity Technology	Auxiliary, Bluetooth, USB
Number of Channels	2
Audio Input	Microphone inputs, Auxiliary inputs
Audio Output	3.5mm Audio Jacks (Headset, Earphone, Live Output), USB
Power Source	Electric Cable (USB 5V-1A)
Sampling Rate	120 KHz
Item Weight	1.53 Kilograms
Package Dimensions	40 x 23.4 x 8.5 cm
Supported OS	Android, Windows, iOS, macOS
Supported Software	Twitch, OBS, Discord, Facebook, YouTube, TikTok

10. WARRANTY AND SUPPORT

SINWE is committed to providing reliable customer support and product satisfaction.

- **Warranty:** The product includes a 365-day replacement policy.
- **Technical Support:** Lifetime technical support is available for your equipment.
- **Customer Service:** Dedicated customer support is available 24/7 to assist with any questions or issues.
- **Resources:** User guides and video resources are available to help optimize your experience.



Image 8: Overview of SINWE's customer support offerings, including 365-day replacement and lifetime technical support.

