



[Manuals.plus](#) /

> [Merax](#) /

> Merax House Shaped Junior Bunk Bed Frame Twin Over Twin with Slide and Storage Stairs User Manual

Merax Merax

Merax House Shaped Junior Bunk Bed Frame User Manual

Model: Merax | Brand: Merax

INTRODUCTION

This manual provides detailed instructions for the assembly, operation, and maintenance of your Merax House Shaped Junior Bunk Bed Frame. Designed for safety and functionality, this twin-over-twin bunk bed features a unique house-shaped roof, a slide, and integrated storage stairs. Please read all instructions carefully before beginning assembly and retain this manual for future reference.

SAFETY INFORMATION

Your safety is paramount. Please adhere to the following guidelines:

- **Read All Instructions:** Ensure you understand all assembly steps and safety warnings before use.
- **Adult Assembly Required:** This product must be assembled by adults.
- **Weight Limits:** Do not exceed the recommended weight limits for each bunk. (Specific weight limits are not provided; refer to product packaging or manufacturer for details).
- **Guardrails:** The top bunk is equipped with full-length guardrails. Ensure they are always securely in place.
- **Mattress Size:** Use only mattresses of the specified size to prevent gaps that could entrap a child.
- **No Horseplay:** Prohibit horseplay on or under the bed.
- **Slide Safety:** Ensure the slide is used appropriately and supervise children during use.
- **Regular Checks:** Periodically check all fasteners and tighten them as necessary.
- **Ventilation:** Ensure adequate ventilation around the bed.

COMPONENTS LIST

The Merax House Shaped Junior Bunk Bed Frame includes the following main components. A detailed list of all hardware and individual parts will be provided in the packaging.

- Twin over Twin Wood Bunk Bed Frame
- Integrated Slide
- Storage Staircase Unit
- Full-Length Guardrails
- Bed Slats for both bunks
- Assembly Hardware (bolts, screws, nuts, etc.)
- Assembly Tools (e.g., Allen wrench)

SETUP AND ASSEMBLY

Assembly of the Merax House Shaped Junior Bunk Bed Frame is required. Please follow the step-by-step instructions provided in your product packaging. Ensure all parts are present before you begin.



Image: The fully assembled Merax House Shaped Junior Bunk Bed Frame, showcasing its white finish, house-shaped roof, slide, and integrated storage stairs. The bed is shown in a room setting with bedding and toys.

General Assembly Steps (Refer to packaged instructions for specifics):

1. **Unpack and Identify:** Carefully unpack all components and verify against the parts list.
2. **Assemble Bed Frames:** Construct the upper and lower bed frames according to the diagrams.
3. **Attach Guardrails:** Securely attach the full-length guardrails to the upper bunk.
4. **Assemble Storage Stairs:** Build the storage staircase unit, ensuring drawers or shelves are correctly installed.
5. **Attach Slide:** Securely fasten the slide to the bed frame.
6. **Install Slats:** Place and secure the bed slats for both the upper and lower bunks.
7. **Final Tightening:** Once fully assembled, re-tighten all bolts and screws to ensure stability.

Note: A mattress is not included with this bed frame. Please ensure you have the correct twin-size mattresses for both bunks.

OPERATING INSTRUCTIONS

The Merax House Shaped Junior Bunk Bed Frame is designed for comfortable and functional use.

Using the Bunk Beds:

- The top bunk is intended for sleeping and should only be accessed via the integrated staircase.
- The bottom bunk provides a comfortable sleeping area.
- The space beneath the bottom bunk can be utilized for play or for placing an additional mattress for overnight guests, as per the functional design.

Utilizing Storage Stairs:



Image: A detailed view of the integrated storage staircase, highlighting the three functional drawers built into the steps, designed for organizing clothes, toys, or other items.

- The staircase features integrated storage compartments (drawers or shelves) within each step.
- These compartments are ideal for storing clothes, toys, books, or other personal items, helping to maximize space and maintain tidiness.
- Ensure items stored do not obstruct the opening or closing of the compartments.

Using the Slide:

- The slide is intended for recreational use by children.
- Always ensure the area around the slide exit is clear to prevent injury.
- Supervise children during slide use.

MAINTENANCE

Proper maintenance will ensure the longevity and safety of your bunk bed.

- **Cleaning:** Wipe the wood surfaces with a dry, soft cloth. For stubborn marks, a slightly damp cloth followed by a dry cloth can be used. Avoid harsh chemicals or abrasive cleaners.
- **Hardware Checks:** Periodically inspect all bolts, screws, and fasteners to ensure they are tight. Re-tighten any loose hardware to maintain structural integrity.
- **Structural Integrity:** Regularly check for any signs of damage, cracks, or splinters in the wood. Address any issues promptly to prevent further damage or injury.
- **Avoid Excessive Moisture:** Keep the bed away from areas of high humidity or direct water exposure to prevent wood warping or damage.

TROUBLESHOOTING

If you encounter any issues with your bunk bed, consider the following common solutions:

- **Squeaking Noises:** Squeaking often indicates loose hardware. Re-tighten all bolts and screws, especially those connecting the main frame components.
- **Instability/Wobbling:** Ensure the bed is placed on a level surface. Check that all assembly steps were followed correctly and all fasteners are fully tightened.
- **Drawers Sticking:** Check for any obstructions in the drawer glides. Ensure the drawers are properly aligned within their tracks.
- **Missing Parts:** If you find any parts missing during assembly, refer to the contact information in the Support section to request replacements.

SPECIFICATIONS

Key specifications for the Merax House Shaped Junior Bunk Bed Frame:

UNIT INCH

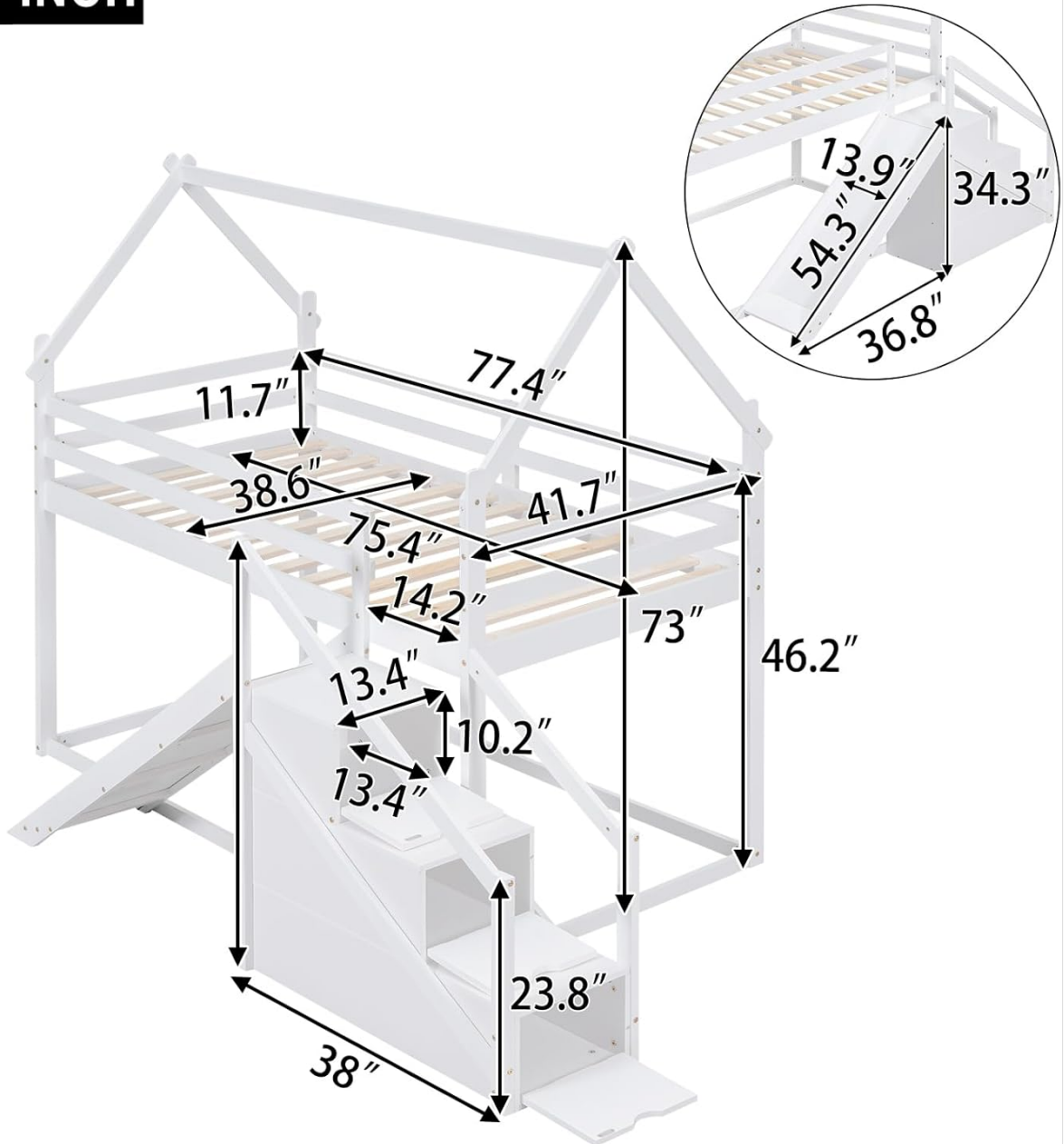


Image: A technical diagram illustrating the precise dimensions of the bunk bed frame, including length, width, height, and specific measurements for the slide and storage stairs in inches.

Feature	Detail
Size	Twin Over Twin
Product Dimensions	77.4"L x 41.7"W x 73"H
Special Feature	No Box Spring Needed, Storage Drawer
Color	White
Finish Type	Painted
Included Components	Twin over Twin Wood Bunk Bed with Slide and Staircase
Brand	Merax
Furniture Finish	Pine

Assembly Required	Yes
Item Weight	90 pounds
Model Number	Merax

WARRANTY INFORMATION

Specific warranty details for the Merax House Shaped Junior Bunk Bed Frame are not provided in this document. Please refer to the warranty card included with your product packaging or contact Merax customer support directly for information regarding warranty coverage and terms.

SUPPORT

For further assistance, missing parts, or inquiries, please contact Merax customer support. You can often find contact information on the manufacturer's website or within your product packaging.

Visit the official Merax Store: [Merax Store on Amazon](#)