



Manuals.plus /

› HASANEN /

› HASANEN Automatic Sliding Gate Opener Motor Kit 4400lb (Model CE-WWHZBY-693-US) Instruction Manual

HASANEN CE-WWHZBY-693-US

HASANEN Automatic Sliding Gate Opener Motor Kit

MODEL: CE-WWHZBY-693-US (4400LB CAPACITY)

1. Introduction

This manual provides essential instructions for the installation, operation, and maintenance of your HASANEN Automatic Sliding Gate Opener Motor Kit. Please read this manual thoroughly before beginning installation or operation to ensure proper function and safety. This kit is designed to automate sliding gates with a maximum weight capacity of 4400lb (2000kg).

2. Safety Instructions

- **General Safety:** Always ensure the power supply is disconnected before performing any installation, maintenance, or repair work. Keep children and pets away from the gate area during operation.
- **Temperature Protection:** The motor is equipped with a temperature protection feature. If the motor temperature becomes too high, it will automatically cut off the power supply to prevent damage.
- **Anti-Bump Design:** This system prevents the gate from going off track. If the gate reaches its limit, pressing the remote button in the opposite direction will engage the motor to correct its position.
- **Automatic Limitation:** The motor includes an opening and closing limiter. When the gate reaches its programmed open or closed position, the motor will stop automatically, enhancing safety.
- **Infrared Anti-Trap Function:** An infrared sensor probe is included. If an obstruction is detected during gate movement, the gate will reverse direction to prevent accidents.
- **Manual Override:** In case of power failure, use the provided clutch keys to manually disengage the motor and operate the gate by hand.

3. Package Contents

Verify that all components listed below are present in your package:

- 1 x Motor Unit

- 2 x Remote Controls (batteries not included)
- 6 x 1m M12 Rails
- 2 x Stopper Supports
- 2 x Limiters
- 2 x Clutch Keys
- 3 x Mounting Plates
- 4 x Mounting Screws for Limiter
- 4 x Install Screws
- 2 x Screw Kits (various screws and washers)



Figure 3.1: Overview of all included components for the HASANEN Automatic Sliding Gate Opener Motor Kit, including the motor unit, remote controls, rails, and various mounting hardware.

4. Setup and Installation

Installation should be performed by individuals with appropriate technical knowledge. Ensure all safety precautions are followed.

1. **Mounting the Motor:** Securely mount the motor unit on a stable, level surface next to the gate. Use the provided mounting plates and screws. Ensure the motor gear aligns correctly with the gate's rack.
2. **Installing the Rails:** Attach the 1-meter M12 rails to the gate, ensuring they are level and securely fastened. The rails should mesh smoothly with the motor's gear.
3. **Connecting Power:** Connect the motor to a 110V/50Hz power supply. It is recommended to have this

done by a qualified electrician.

4. **Installing Limiters:** Attach the limiters at the desired open and closed positions of the gate. These will signal the motor to stop.
5. **Infrared Sensor Installation (Optional but Recommended):** Install the infrared sensor probe across the gate's path to enable the anti-trap function.



Figure 4.1: The main motor unit of the gate opener, featuring a warning label and the manual override keyhole. This unit houses the motor and control electronics.



Figure 4.2: A detailed view of the motor's drive gear, which engages with the M12 rails to move the sliding gate.

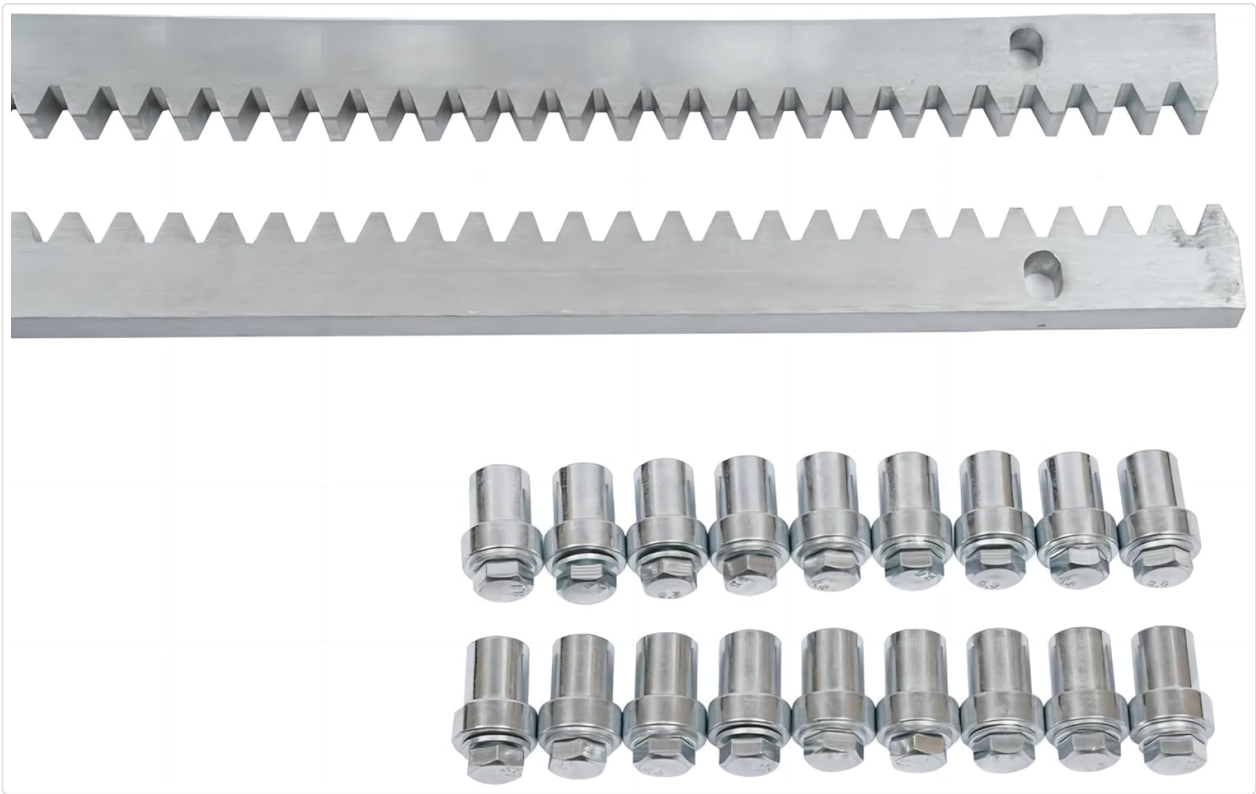


Figure 4.3: The M12 rails and associated mounting hardware. These rails attach to the gate and are driven by the motor gear.

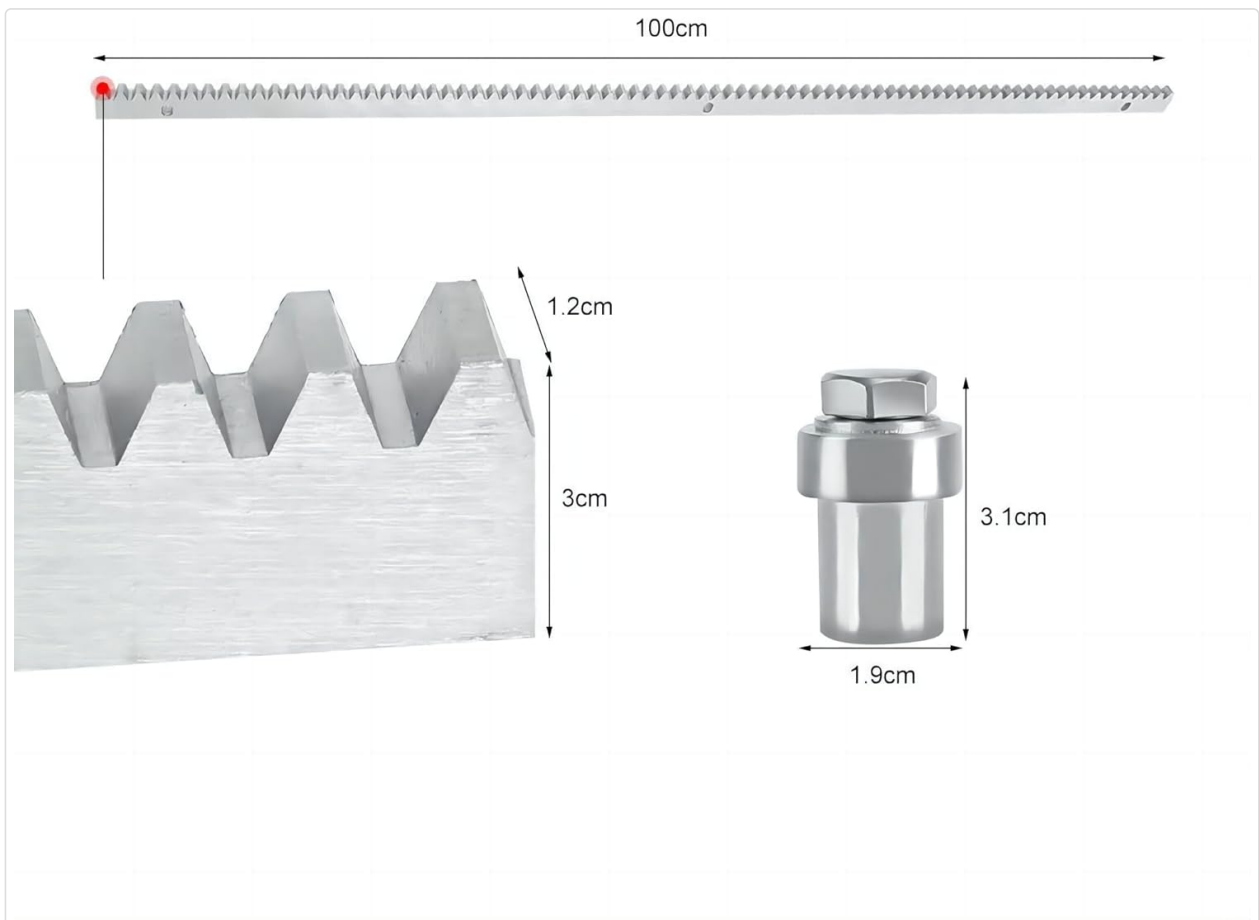


Figure 4.4: Detailed dimensions of a single M12 rail segment (100cm length, 3cm height, 1.2cm tooth height) and a mounting bolt (3.1cm height, 1.9cm diameter).

5. Operating Instructions

- **Remote Control Operation:** Use the provided remote controls to open and close the gate. Typically,

one button opens the gate, and another closes it. Refer to the remote control's specific instructions for pairing and function.

- **Automatic Closing Function:** The system features an adjustable automatic closing function. The gate can be set to close automatically after 5, 10, or 15 seconds. This setting is usually configured during installation or via the control panel.
- **Manual Override:** In the event of a power outage, insert the clutch key into the motor's coupling box and turn it to disengage the motor. This allows the gate to be opened or closed manually. Remember to re-engage the motor once power is restored.
- **Anti-Trap Feature:** If the infrared sensor detects an obstruction while the gate is closing, the gate will automatically reverse direction to prevent injury or damage.

6. Maintenance

Regular maintenance ensures the longevity and reliable operation of your gate opener.

- **Cleanliness:** Keep the motor unit, rails, and gate path clear of debris, dirt, and vegetation. Obstructions can hinder gate movement and damage the motor.
- **Lubrication:** Periodically check and lubricate the gate's wheels, hinges, and the motor gear/rack system as recommended by the gate manufacturer.
- **Component Inspection:** Regularly inspect all mounting hardware, electrical connections, and the condition of the rails for any signs of wear, corrosion, or damage. Tighten any loose fasteners.
- **Sensor Check:** Ensure the infrared sensors are clean and properly aligned for optimal anti-trap functionality.

7. Troubleshooting

If you encounter issues with your gate opener, refer to the following common problems and solutions:

- **Gate Not Responding to Remote:**
 - Check remote control batteries.
 - Ensure the motor unit has power.
 - Verify the remote is paired correctly with the receiver.
- **Gate Stops Mid-Operation or Reverses:**
 - Check for obstructions in the gate's path, especially near infrared sensors. Clean sensors if dirty.
 - Inspect the rails for damage or debris.
 - The motor may have overheated; allow it to cool down.
- **Gate Does Not Close Fully or Opens Too Far:**
 - Adjust the limiters to the correct open and closed positions.
- **Motor Runs but Gate Does Not Move:**
 - Check if the manual override clutch is engaged. If disengaged, re-engage it.
 - Inspect the motor gear and gate rack for damage or misalignment.

8. Specifications

Technical specifications for the 750W (4400lb) model:

Specification	Value
Motor Speed	1400 r/min
Output Torque	36 NM
Operating Speed	12 m/min
Working Environment	-25°C to +70°C (-13°F to 158°F)
Waterproof Grade	IP44
Maximum Application Weight	2000 kg (4400 lb)
Motor Size (Approx.)	27.4 x 19.8 x 33 cm (10.8 x 7.8 x 13.0 inches)
Working Voltage	110V/50Hz
Working Current	3A
Power	750W
Item Weight	33.1 pounds
Product Dimensions	10.6 x 6.1 x 13.2 inches

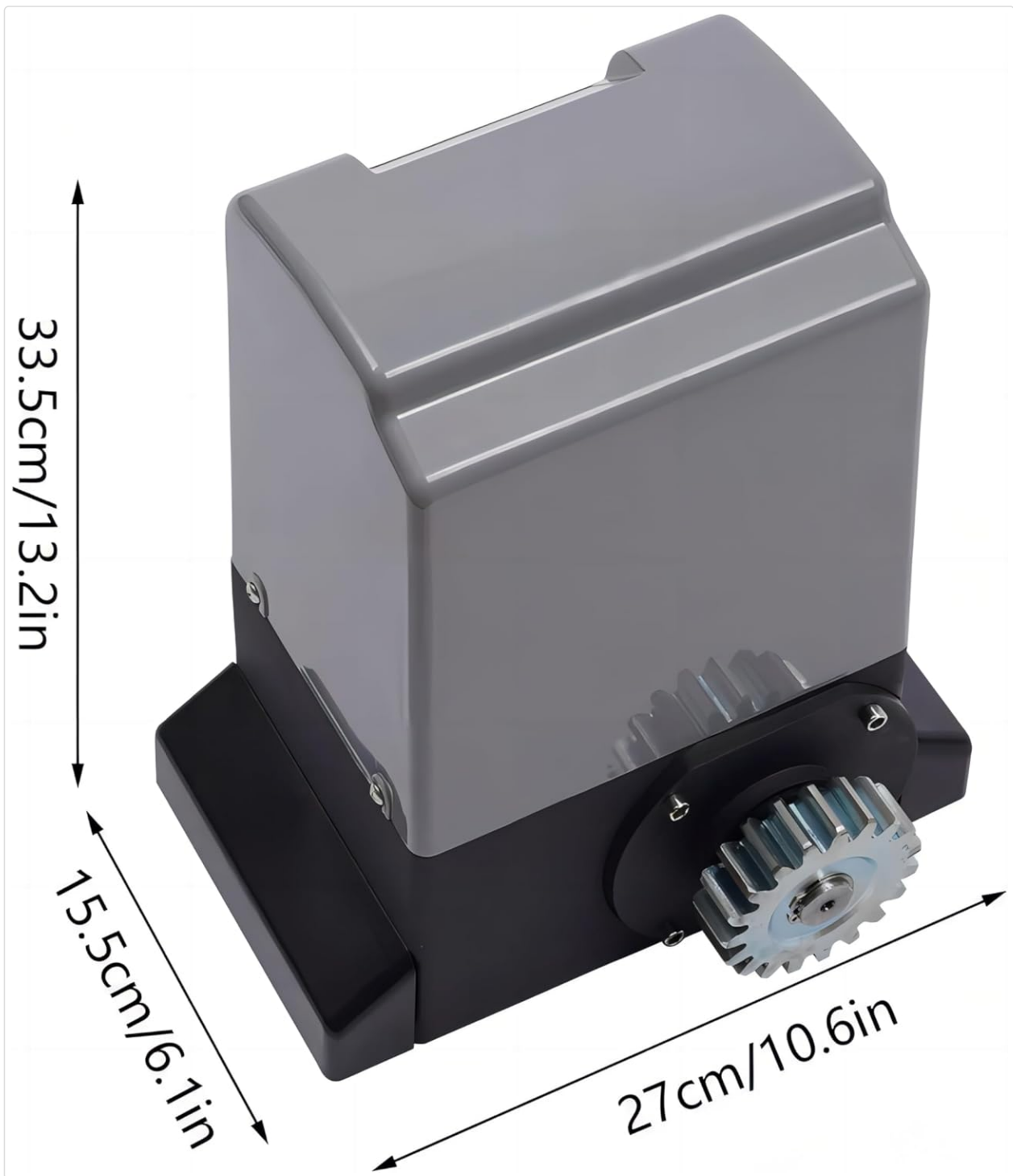


Figure 8.1: Key dimensions of the motor unit: approximately 33.5cm (13.2in) height, 15.5cm (6.1in) depth, and 27cm (10.6in) width.

9. Warranty and Support

Specific warranty details are not provided in this manual. For warranty information, technical support, or replacement parts, please contact the HASANEN customer service or your point of purchase. Keep your purchase receipt as proof of purchase.