

GarveeHome 7WkJRWsNBrJSP3zinSN4Cg0H0p

GarveeHome 30-Inch 400 CFM Range Hood Insert User Manual

Model: 7WkJRWsNBrJSP3zinSN4Cg0H0p

1. IMPORTANT SAFETY INFORMATION

Please read all instructions carefully before installing or operating this appliance. Retain this manual for future reference.

- Always disconnect power to the range hood before servicing or cleaning.
- Installation must be performed by a qualified technician in accordance with all local codes and standards.
- Ensure proper ventilation for combustion gases from fuel-burning equipment to prevent back-drafting.
- Do not operate any fan with a damaged cord or plug. Discard fan or return to an authorized service facility for examination and/or repair.
- Never leave surface units unattended at high settings. Boil-overs cause smoking and greasy spill-overs that may ignite.
- Clean grease filters frequently. Grease should not be allowed to accumulate on fan or filter.

2. PRODUCT OVERVIEW

The GarveeHome 30-inch Range Hood Insert is designed to efficiently remove smoke, grease, and odors from your kitchen. It features a powerful 400 CFM motor, durable stainless steel construction, LED lighting, and user-friendly controls.



Image 2.1: Front view of the GarveeHome 30-inch Range Hood Insert, showing its sleek design and active ventilation.

Key Features:

- **Powerful Ventilation:** 400 CFM motor for efficient air purification.
- **Premium Construction:** Crafted from durable 430-grade stainless steel.
- **Convertible Design:** Supports both ducted and ductless (recirculating) installation.
- **Efficient Filtration:** Equipped with removable and dishwasher-safe baffle filters.
- **User-Friendly Controls:** Intuitive push-button and touch controls with 3-speed settings.
- **Bright Illumination:** Integrated LED lighting for enhanced visibility over the cooking surface.



Image 2.2: Overview of key features including 400 CFM airflow, stainless steel material, and ducted/ductless convertible options.

3. SETUP AND INSTALLATION

This range hood insert can be installed in either ducted or ductless (recirculating) configurations. Ensure the cabinet opening matches the product dimensions for a proper fit.

3.1 Dimensions

Refer to the diagram below for precise measurements to ensure compatibility with your cabinet and cooking area.

SIZE

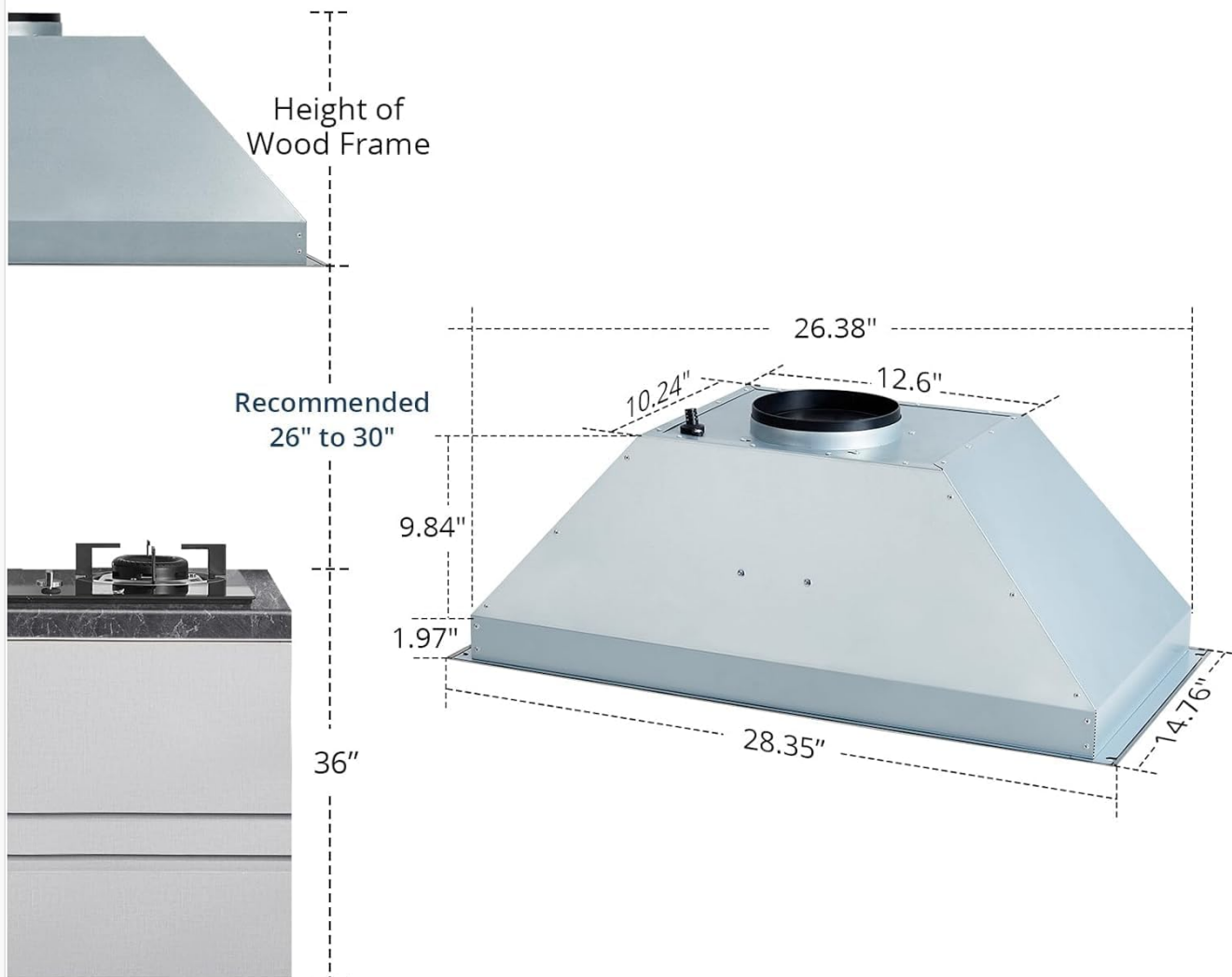


Image 3.1: Dimensional drawing of the range hood insert, showing overall width, depth, height, and ducting connection points. Product dimensions are approximately 30.71"D x 12.6"W x 17.72"H.

3.2 Ducted vs. Ductless Installation

Choose the appropriate installation method based on your kitchen's ventilation system. For ductless operation, a charcoal filter (not included) is required to purify air before recirculation.

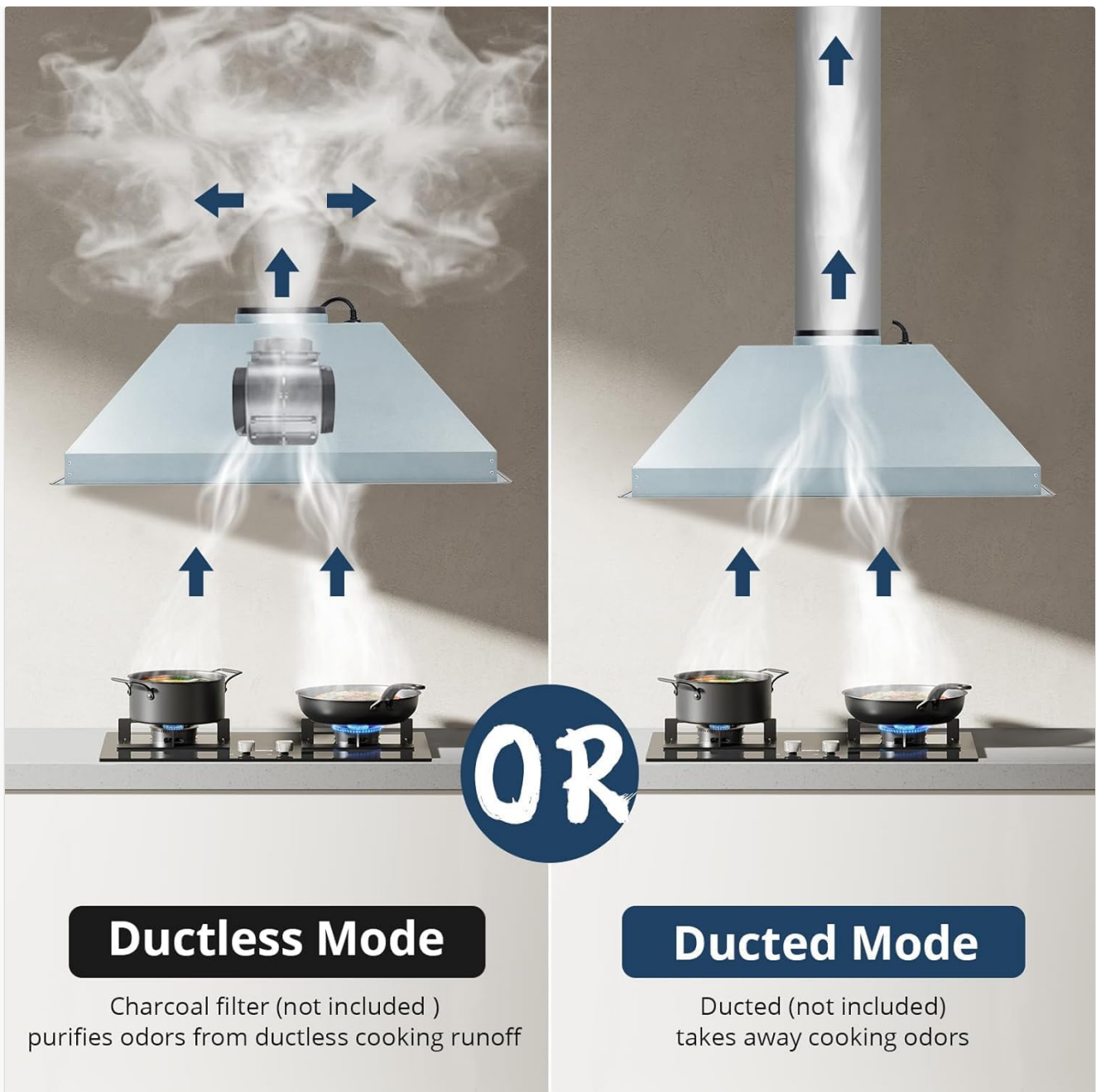


Image 3.2: Comparison of Ducted Mode (exhausts cooking odors outside) and Ductless Mode (purifies odors with a charcoal filter for recirculation).

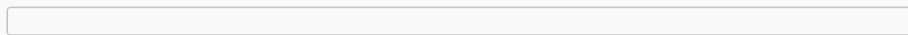


Image 3.3: Visual representation of non-ducted (recirculating with charcoal filter) and ducted (exhausting outside) range hood configurations.

For detailed installation steps, consult the separate installation guide provided with your product or seek assistance from a qualified professional.

4. OPERATING INSTRUCTIONS

The GarveeHome range hood features intuitive controls for fan speed and lighting.

4.1 Control Panel

The control panel includes push buttons and touch controls for easy operation.



Image 4.1: Exploded view highlighting the control features: 430 Grade Stainless Steel, LED Lights, ON/OFF button, Push Button controls, and indicators for High, Medium, and Low fan speeds.



Image 4.2: A user interacting with the range hood's touch control panel to adjust settings.

4.2 Fan Speed Settings

Select from three fan speeds to match your cooking needs, from light simmering to heavy frying.

- **Low Speed:** Ideal for light cooking, simmering, or maintaining air quality.
- **Medium Speed:** Suitable for general cooking and moderate smoke/odor removal.
- **High Speed:** Use for heavy frying, grilling, or when significant smoke and odors are present.



3 Speed Setting

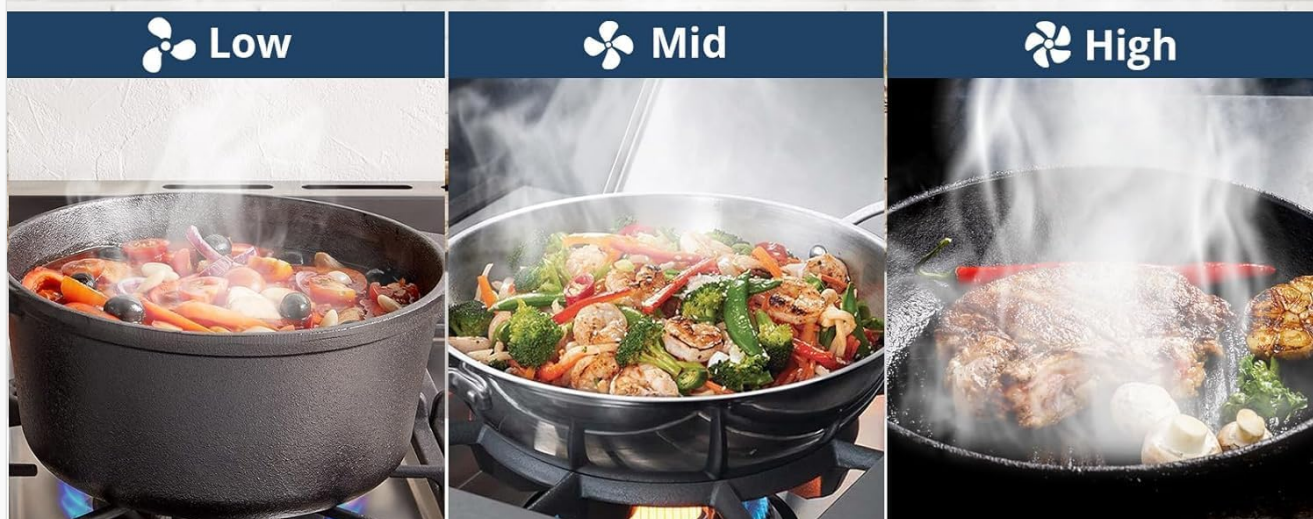


Image 4.3: Visual representation of the three fan speed settings (Low, Mid, High) and their corresponding effectiveness for different cooking intensities.

4.3 LED Lighting

Press the light button to turn the LED lights on or off, providing clear illumination of your cooking surface.

5. MAINTENANCE

Regular maintenance ensures optimal performance and longevity of your range hood.

5.1 Cleaning Baffle Filters

The stainless steel baffle filters effectively trap grease and should be cleaned regularly to maintain airflow and prevent grease buildup.

- **Frequency:** Clean filters every 3-6 weeks, depending on cooking frequency and type.
- **Removal:** Carefully slide or unlatch the filters from their housing.
- **Cleaning Method:** Filters are dishwasher-safe. Alternatively, wash by hand with hot water and a degreasing detergent.
- **Reinstallation:** Ensure filters are completely dry before reinserting them into the range hood.

5.2 Exterior Cleaning

Wipe the exterior stainless steel surfaces with a soft cloth and a non-abrasive stainless steel cleaner. Avoid harsh chemicals or abrasive pads that could scratch the finish.

6. TROUBLESHOOTING

Before contacting customer support, review the following common issues and solutions.

Problem	Possible Cause	Solution
Range hood does not turn on	No power supply; circuit breaker tripped; loose wiring	Check power connection; reset circuit breaker; verify wiring connections (consult a technician if unsure)
Poor suction performance	Clogged filters; improper ducting; motor issue	Clean or replace filters; check ductwork for obstructions or leaks; contact support if motor is suspected
Excessive noise or vibration	Loose components; fan imbalance; improper installation	Ensure all screws are tightened; check for foreign objects in fan; verify proper installation (consult a technician)
Lights not working	Faulty LED bulb; loose connection	Replace LED bulb (if replaceable); check light connections



Image 6.1: Illustration comparing the range hood's noise level (55dB) to common household sounds like a refrigerator (45dB) and a vacuum cleaner (65dB).

7. SPECIFICATIONS

Detailed technical specifications for the GarveeHome 30-inch Range Hood Insert.



Product Dimension:	28.35" × 14.76" × 11.81"
Material:	430 Stainless Steel
Airflow:	400CFM
Motor Power:	200W
Light:	2*2W LED
Voltage:	120V
Frequency:	60Hz
Filter:	2*Steel Baffle Filter
Switch:	Touch Screen Controll
Noise Level:	55dB

Image 7.1: A summary of product specifications including dimensions, material, airflow, motor power, lighting, voltage, frequency, filter type, switch type, and noise level.

Specification	Value
Model Number	7WkJRWsNBrJSP3zinSN4Cg0H0p
Air Flow Capacity	400 Cubic Feet Per Minute (CFM)
Material	Stainless Steel (430 Grade)
Noise Level	45 dB (minimum) - 55 dB (maximum)
Mounting Type	Built-In Mount
Controls Type	Push Button, Touch
Voltage	110V - 120V
Number of Speeds	3
Light Source Type	LED (2 x 2W)
Filter Type	Baffle (2 x Steel Baffle Filter)
Ventilation Type	Ductless/Recirculating, Ducted
Product Dimensions	30.71"D x 12.6"W x 17.72"H
Item Weight	26.2 pounds

8. WARRANTY INFORMATION

GarveeHome products are manufactured to high-quality standards. For specific warranty details, including coverage period and terms, please refer to the warranty card included with your purchase or contact GarveeHome customer support. Keep your proof of purchase for warranty claims.

9. CUSTOMER SUPPORT

If you have any questions, require technical assistance, or need to report an issue with your GarveeHome Range Hood Insert, please contact our customer support team. Refer to the contact information provided in your product packaging or visit the official GarveeHome website for the most up-to-date support details.

For online resources, you may visit the [GarveeHome Store on Amazon](#).

