

Manuals+

[Q & A](#) | [Deep Search](#) | [Upload](#)

manuals.plus /

› [SINWE](#) /

› [SINWE P99-2MIC Podcast Equipment Bundle User Manual](#)

SINWE P99-2MIC

SINWE P99-2MIC Podcast Equipment Bundle User Manual

Model: P99-2MIC

1. INTRODUCTION

This manual provides detailed instructions for the setup, operation, and maintenance of your SINWE P99-2MIC Podcast Equipment Bundle. This all-in-one audio interface and microphone kit is designed to facilitate high-quality audio recording and live streaming for up to two individuals, compatible with smartphones and PCs.

Please read this manual thoroughly before using the product to ensure proper function and to maximize your audio experience.

2. PACKAGE CONTENTS

Verify that all items listed below are included in your package:

- 1 x SINWE P99 Audio Interface (Live Sound Card)
- 2 x Condenser Microphones
- 2 x Double-Layer Pop Filters
- 2 x Adjustable Suspension Scissor Arm Stands
- 2 x Shock Mounts
- 2 x Anti-wind Foam Caps
- 1 x Power Cable (USB-C to USB-A)
- Necessary Audio Cables (e.g., 3.5mm TRRS cables for smartphone connection)



Image: All components of the SINWE P99-2MIC Podcast Equipment Bundle, including the audio interface, two microphones, stands, pop filters, and cables.

3. PRODUCT OVERVIEW

The SINWE P99-2MIC bundle is an integrated solution for audio production, featuring a sound card with various controls and two high-quality condenser microphones.

3.1. P99 Audio Interface (Sound Card)

The P99 audio interface serves as the central hub for your audio setup, offering comprehensive control over sound input, output, and effects.

- **Input Controls:** Adjust microphone gain, music volume, and monitor levels.
- **Output Controls:** Manage recording volume and live output.
- **Sound Effects:** Includes 4 customizable sound effects, 5 built-in special audio effects, and 5 voice transformation options.
- **Audio Enhancement:** Features 12-step auto-tune, adjustable tones (Treble, Mid-range, Bass), and noise

reduction.

- **Connectivity:** Supports USB, AUX, and Bluetooth for versatile device connection.

Multifunctional Sound card

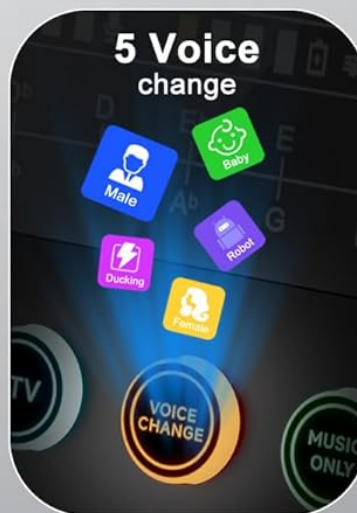


Image: Close-up view of the SINWE P99 audio interface, highlighting its various controls and buttons for sound effects and adjustments.

3.2. Condenser Microphones

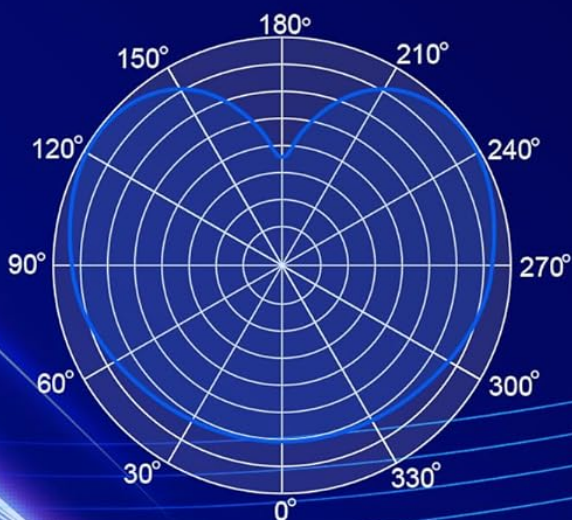
The bundle includes two condenser microphones designed for clear vocal capture.

- **High Sensitivity:** Ensures detailed sound recording.
- **Cardioid Polar Pattern:** Primarily picks up sound from the front, reducing unwanted background noise.
- **Professional Sound Chipset:** Supports 120kHz sample rate and 24-bit bitrate for high-fidelity audio.

NEW Upgraded Microphone For Podcast

The one labeled MC-98 is the front side
Cardioid pickup needs to be frontal to your mouth

16mm
Condenser Microphone



Cardioid Polar Pattern



Image: Detailed view of the condenser microphone, illustrating its 16mm capsule and cardioid polar pattern for directional sound pickup.

4. SETUP INSTRUCTIONS

Follow these steps to set up your SINWE P99-2MIC Podcast Equipment Bundle.

4.1. Microphone Assembly

1. Attach the adjustable suspension scissor arm stand to a stable surface using its clamp.
2. Mount the shock mount onto the end of the scissor arm stand.
3. Carefully place the condenser microphone into the shock mount.
4. Attach the double-layer pop filter to the stand, positioning it in front of the microphone.
5. Place the anti-wind foam cap over the microphone for additional protection and sound dampening.
6. Repeat for the second microphone.

4.2. Connecting to the P99 Audio Interface

1. Connect each microphone to the "MIC" input ports on the P99 audio interface using the provided XLR to 3.5mm cables (or similar, depending on microphone connector).
2. Connect your headphones to the "HEADSET" or "EARPHONE" jack for monitoring.
3. Connect the power cable (USB-C) to the "Charging 5V-1A" port on the P99 and the other end to a USB power source or your computer.

4.3. Connecting to Recording/Streaming Devices

The P99 audio interface offers multiple connectivity options:

- **PC/Laptop Connection (USB):** Connect the "OTG/PC Live" port on the P99 to your computer using a USB cable. The device is plug-and-play and should be recognized automatically.
- **Smartphone/Tablet Connection (OTG/Live Output):** Use the "OTG/PC Live" port for direct digital connection to compatible smartphones/tablets. An OTG adapter may be required for devices without a 3.5mm jack (not included). Alternatively, use the "LIVE OUTPUT" port with a 3.5mm TRRS cable to connect to your smartphone's headphone jack.
- **External Audio Input (AUX-IN):** Connect external audio sources (e.g., music player) to the "AUX-IN" port using a 3.5mm audio cable.
- **Bluetooth Input:** For wireless backing tracks, activate Bluetooth on the P99 and pair it with your smartphone or tablet. This is for input only, not for recording.

Available for common devices and software



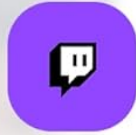
YouTube



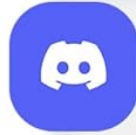
Facebook



TikTok



Twitch



Discord



OBS



Computer



PC



Tablet



Smartphone



Image: Rear view of the SINWE P99 audio interface, showing the various input and output ports for microphones, headphones, live output, PC/OTG, charging, and AUX-in.

WIRELESS AUDIO INPUT VIA BLUETOOTH

For backing track input only



Phone



Pad



PC/Laptop



Image: Illustration of a smartphone wirelessly connected to the SINWE P99 via Bluetooth for backing track input.

5. OPERATING INSTRUCTIONS

This section details the basic operation of your P99 audio interface.

5.1. Power On/Off

- Press and hold the power button (usually located centrally) to turn the device on or off.

5.2. Adjusting Audio Levels

Use the dedicated knobs on the P99 to control various audio levels:

- **MIC Gain:** Adjusts the input sensitivity of the microphones. Start with a lower setting and increase gradually to avoid distortion.
- **MUSIC:** Controls the volume of external audio input (e.g., from AUX-IN or Bluetooth).
- **MONITOR:** Adjusts the volume of your headphones for monitoring your audio.
- **RECORD:** Controls the overall output level sent to your recording device.
- **ECHO:** Adjusts the reverb effect level applied to your voice.



Image: Close-up of the SINWE P99 audio interface showing knobs for Microphone Gain, adjustable tones (Treble, Mid-range, Bass), Monitor, and the 12-step auto-tune feature.

5.3. Monitoring Your Audio

Always monitor your audio through headphones to ensure optimal sound quality and to detect any issues during recording or live streaming.

5.4. Recording and Streaming

Once connected to your computer or smartphone, select the P99 audio interface as your input device in your preferred recording or streaming software (e.g., OBS Studio, Zoom, TikTok, YouTube, Discord, Streamlabs).

BEST FOR BEGINNERS

One set for all needs to start
podcasting/ live streaming



Podcasting
Live Streaming



Music
Production

Image: Graphic illustrating the SINWE P99's compatibility with various streaming platforms (YouTube, Facebook, TikTok, Twitch, Discord, OBS) and devices (Computer, PC, Tablet, Smartphone).

6. ADVANCED FEATURES

The P99 audio interface includes several advanced features to enhance your audio production.

6.1. Customizable Sound Effects

The P99 features 4 customizable sound effect buttons (Custom A, B, C, D). You can record and assign your own short audio clips or jingles to these buttons for quick playback during live sessions.

4 Customize Your Sound Effect

Immerse Yourself in a Unique Gaming Experience

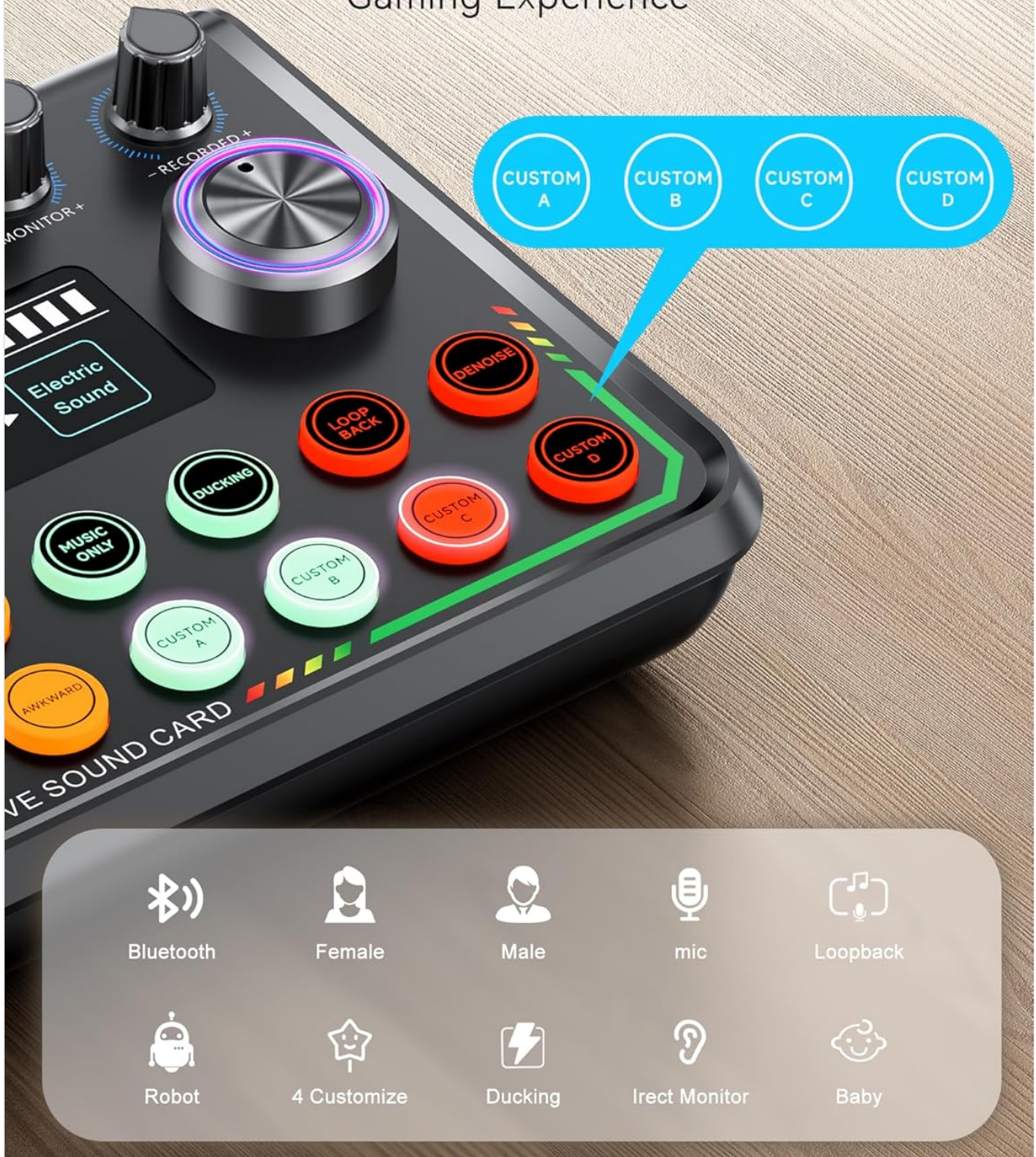


Image: Close-up of the SINWE P99 audio interface, highlighting the four customizable sound effect buttons (Custom A, B, C, D) and other special effects.

6.2. Special Audio Effects and Voice Transformations

Utilize the built-in special audio effects and voice changers to add creativity to your content:

- **Built-in Effects:** Access 5 preset special audio effects.

- **Voice Changer:** Transform your voice with 5 unique options, including male, female, and monster sounds.
- **Auto-tune:** Apply a 12-step auto-tune effect for vocal pitch correction.
- **Adjustable Tones:** Fine-tune your vocal sound with Treble, Mid-range, and Bass controls.

6.3. Noise Reduction (DENOISE)

Activate the "DENOISE" function to reduce unwanted background noise, such as fan or keyboard sounds, for clearer audio.

6.4. Loopback Function

The loopback feature allows the audio output from your computer to be routed back into the P99 for recording or streaming, enabling you to capture game audio, music, or other computer sounds along with your microphone input.

7. MAINTENANCE

Proper maintenance ensures the longevity and optimal performance of your equipment.

- **Cleaning:** Use a soft, dry cloth to wipe down the audio interface and microphones. Avoid liquid cleaners or abrasive materials.
- **Storage:** Store the equipment in a cool, dry place away from direct sunlight and extreme temperatures.
- **Cable Care:** Handle cables carefully. Avoid sharp bends or excessive pulling to prevent damage.
- **Microphone Protection:** Always use the anti-wind foam caps and pop filters to protect the microphones from dust and moisture.

8. TROUBLESHOOTING

Refer to this section for solutions to common issues.

8.1. No Sound from Microphone

- **Check Connections:** Ensure microphones are securely plugged into the "MIC" ports on the P99.
- **Adjust MIC Gain:** Increase the "MIC Gain" knob on the P99.
- **Software Settings:** Verify that the P99 is selected as the input device in your computer's sound settings and your recording/streaming software.
- **Microphone Orientation:** Ensure you are speaking into the front of the condenser microphone (the side with the brand logo or indicator).

8.2. No Sound in Headphones

- **Check Headphone Connection:** Ensure headphones are fully plugged into the "HEADSET" or "EARPHONE" jack.
- **Adjust MONITOR Volume:** Increase the "MONITOR" knob on the P99.
- **Headphone Functionality:** Test headphones with another device to confirm they are working.

8.3. Distorted or Unclear Audio

- **Reduce MIC Gain:** If audio is distorted, the MIC Gain may be too high. Reduce it gradually.
- **Check Pop Filter:** Ensure the pop filter is correctly positioned to prevent plosive sounds.
- **Activate Noise Reduction:** Use the "DENOISE" function to minimize background noise.

- **Cable Integrity:** Inspect all audio cables for damage.

8.4. Device Not Recognized by Computer

- **USB Connection:** Ensure the USB cable is connected to the "OTG/PC Live" port on the P99 and a functional USB port on your computer.
- **Restart Devices:** Try restarting both the P99 and your computer.
- **Try Different USB Port/Cable:** Test with a different USB port or cable.

9. SPECIFICATIONS

Feature	Specification
Model Number	P99-2MIC
Item Weight	1.98 pounds
Product Dimensions	4.72 x 7.67 x 1.96 inches
Microphone Type	Condenser (Cardioid)
Sample Rate	120kHz
Bitrate	24-bit
Connectivity Technology	AUX, Bluetooth, USB
Number of Channels	3
Compatible Devices	Personal Computer, Smartphone, Tablet
Operating System	Android, Windows, iOS, macOS
Power Source	Corded Electric
Battery Type	1 Lithium Polymer battery required (internal)

10. WARRANTY AND SUPPORT

For warranty information, please refer to the documentation included with your purchase or contact SINWE customer support directly. SINWE is committed to providing quality products and support.

If you encounter any issues not covered in this manual or require further assistance, please contact SINWE customer service through their official website or the platform where you purchased the product.