

## ECONTROLLY 65U8H

# ECONTROLLY TV Stand Legs Instruction Manual

Model: 65U8H / 65U8HQTUK

Brand: ECONTROLLY

## 1. INTRODUCTION

Thank you for choosing ECONTROLLY TV Stand Legs. This product is designed to provide a stable tabletop mounting solution for your Hisense 65-inch 4K Quantum Dot QLED Smart Google TV models 65U8H and 65U8HQTUK. These legs feature soft non-slip pads to protect your furniture surfaces and ensure the television remains securely in place. Please read this manual carefully before installation to ensure proper setup and safe use.

## 2. PACKAGE CONTENTS

Please verify that all components are present before beginning installation. If any parts are missing or damaged, contact customer support.

- 1 Pair of TV Stand Legs (Left and Right)
- Mounting Screws (Quantity as required for TV model)



Image: A pair of ECONTROLLY TV stand legs shown with the accompanying mounting screws.

### 3. SAFETY INFORMATION

---

- Always ensure the TV is placed on a stable, level surface after installation.
- Do not exceed the maximum supported weight or screen size specified in the specifications.
- Keep small parts, such as screws, away from children to prevent choking hazards.
- Exercise caution when handling the television during installation to prevent injury or damage.
- If you are unsure about any step, seek assistance from a qualified professional.

### 4. SETUP AND INSTALLATION

---

Follow these steps to correctly install the TV stand legs:

1. **Prepare the TV:** Carefully place your Hisense 65U8H or 65U8HQTUK TV face down on a soft, clean, and flat surface (e.g., a blanket or foam) to prevent screen damage. Ensure the surface

is large enough to support the entire TV.

2. **Identify Mounting Points:** Locate the screw holes on the bottom rear of your TV where the stand legs are to be attached. These are typically near the edges of the TV.
3. **Attach the Legs:** Align each TV stand leg with the corresponding mounting holes on the TV. Ensure the non-slip pads on the base of the legs are facing downwards.
4. **Secure with Screws:** Insert the provided mounting screws into the holes and tighten them securely with a screwdriver. Do not overtighten, as this may damage the TV or the stand legs.
5. **Verify Stability:** Once both legs are attached, carefully lift the TV and place it upright on your desired tabletop surface. Gently test its stability to ensure it does not wobble. The integrated soft non-slip pads will help prevent scratching and slipping.



Image: Close-up view of the non-slip pad on the TV stand leg, demonstrating its protective function on various surfaces like glass, wood, and marble.

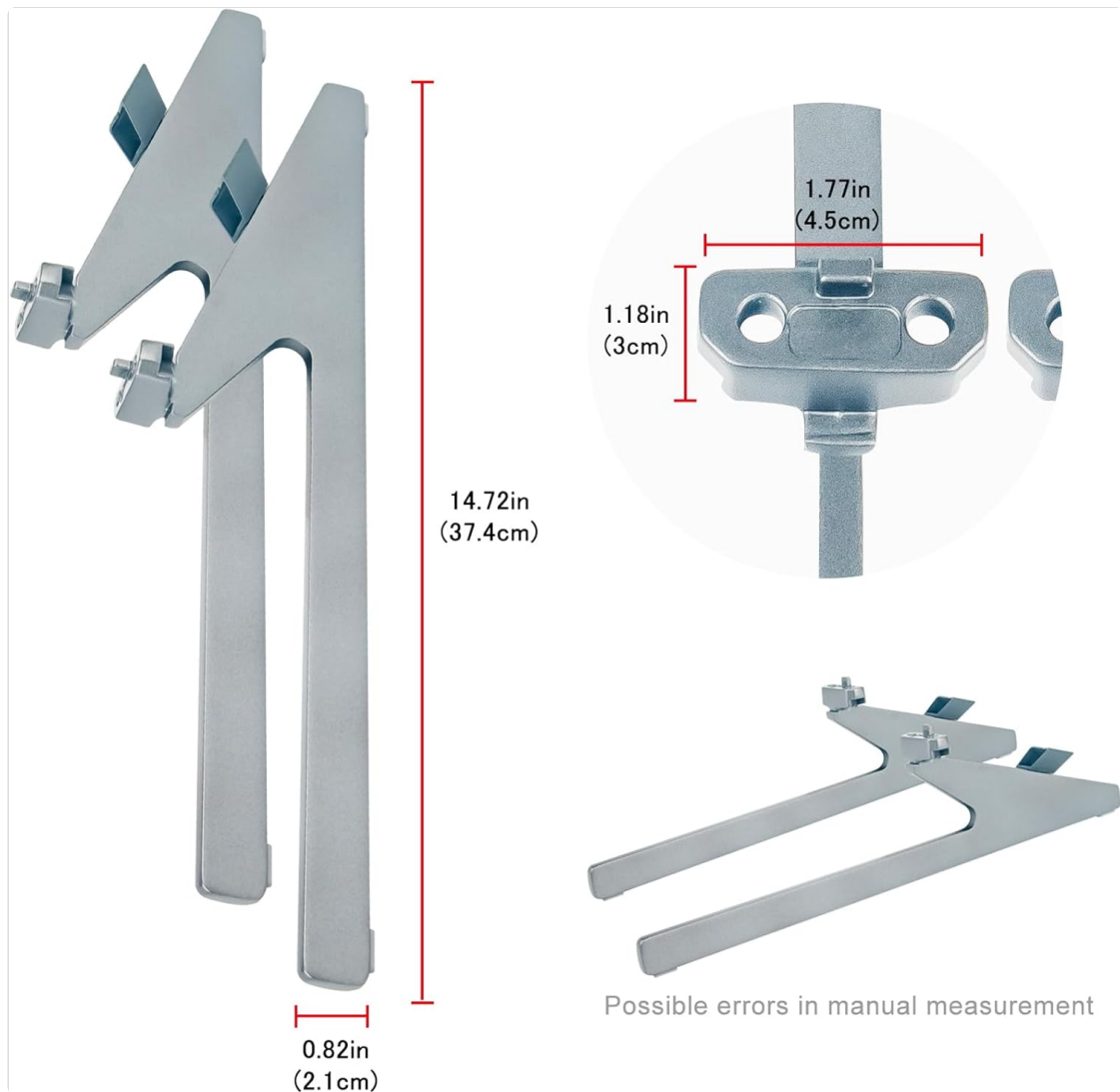


Image: Diagram showing the dimensions of the TV stand legs, including height (14.72in / 37.4cm), width (0.82in / 2.1cm), and mounting plate dimensions (1.77in / 4.5cm by 1.18in / 3cm).

## 5. OPERATING

Once installed, the TV stand legs require no specific operation. Ensure the television is always placed on a flat, stable surface. Avoid moving the TV frequently without proper support to prevent accidental falls or damage.

## 6. MAINTENANCE

- **Cleaning:** Wipe the TV stand legs with a soft, dry cloth. Avoid using abrasive cleaners or solvents that could damage the finish.
- **Regular Check:** Periodically check the tightness of the mounting screws to ensure the TV remains securely attached to the legs.
- **Pad Inspection:** Inspect the non-slip pads for wear or damage. If they become worn, they may lose their effectiveness.

## 7. TROUBLESHOOTING

- **TV is wobbly:** Ensure all screws are tightened securely. Verify that the TV is placed on a completely flat and stable surface.
- **Legs do not fit:** Double-check that your TV model is compatible with these stand legs (Hisense 65U8H / 65U8HQTUK). Ensure the legs are oriented correctly.
- **Missing parts:** Refer to the "Package Contents" section. If parts are missing, contact customer support immediately.

## 8. SPECIFICATIONS

| Attribute                     | Detail                   |
|-------------------------------|--------------------------|
| Brand                         | ECONTROLLY               |
| Compatible TV Models          | Hisense 65U8H, 65U8HQTUK |
| Mounting Type                 | Tabletop Mount           |
| Movement Type                 | Fixed                    |
| Material                      | Composite                |
| Color                         | Gray                     |
| Maximum Supported Screen Size | 65 Inches                |
| Minimum Supported Screen Size | 65 Inches                |
| Item Weight                   | 400 Grams                |
| Manufacturer                  | Shengxingwang Factory    |

## 9. WARRANTY AND SUPPORT

For warranty information or technical support, please contact the seller or manufacturer directly through your purchase platform. Keep your purchase receipt or order number handy for faster service.

