

[Manuals.plus](#) /

› [Faber](#) /

› Faber Artemis 75cm Filterless Kitchen Chimney User Manual

Faber Artemis 75cm

Faber Artemis 75cm Filterless Kitchen Chimney User Manual

Model: Artemis 75cm (325.0719.728)

1. PRODUCT OVERVIEW

This manual provides essential information for the safe and efficient use of your Faber Artemis 75cm Filterless Kitchen Chimney. Please read it thoroughly before installation and operation.

The Faber Artemis chimney is a wall-mounted, slant body design with a T-shape panel, offering a powerful 1200 m³/hr suction capacity. It features filterless technology, an autoclean alarm, mood lighting, and intuitive touch and gesture controls for a clean and comfortable kitchen environment.



Image 1.1: Front view of the Faber Artemis 75cm Filterless Kitchen Chimney.



Image 1.2: The Faber Artemis Chimney featuring Direct Flow Design for enhanced suction.

2. SAFETY INSTRUCTIONS

To ensure safe operation and prevent damage, please adhere to the following safety guidelines:

- Ensure the electrical supply matches the voltage specified on the product label (230 Volts).
- Do not allow children to operate or play with the appliance.
- Always disconnect the power supply before cleaning or maintenance.
- Maintain adequate ventilation in the room when the chimney is in use, especially if other fuel-burning appliances are present.
- Do not flambé under the chimney.
- Regularly clean the oil collector to prevent fire hazards.
- Installation should be performed by a qualified technician.

3. SETUP AND INSTALLATION

Proper installation is crucial for the optimal performance and safety of your chimney. It is highly recommended to have this appliance installed by a certified professional.

3.1 Unpacking

- Carefully remove the chimney from its packaging.
- Inspect for any signs of damage during transit. Contact your dealer immediately if damage is found.
- Ensure all components listed in the packing contents are present.

3.2 Mounting

The Faber Artemis is a wall-mounted canopy hood. Ensure the wall structure is strong enough to support the chimney's weight (approximately 16.4 kg).

- Determine the appropriate mounting height above your cooking surface, typically 65-75 cm for electric hobs and 70-80 cm for gas hobs.
- Mark drilling points on the wall according to the provided template (if included) or the chimney's mounting brackets.
- Drill holes and insert wall plugs. Secure the mounting bracket to the wall.
- Carefully lift and attach the chimney to the mounting bracket.



Direct Flow Design



Results in 20% more suction.

As compared to other Faber Autoclean Chimneys

Image 3.1: Front view of the chimney, illustrating its design for wall mounting.

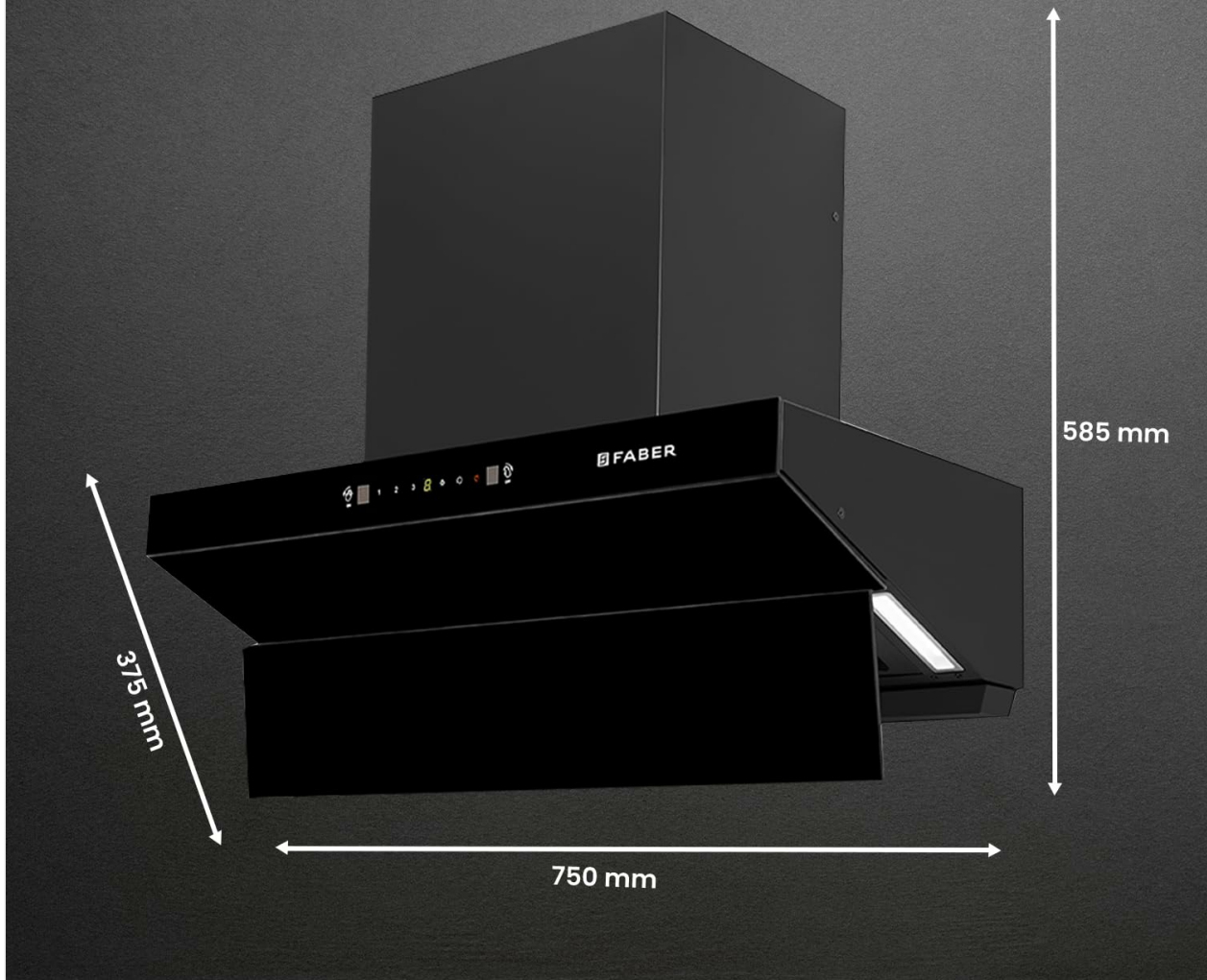


Image 3.2: Key dimensions of the Faber Artemis Chimney for installation planning.

3.3 Electrical Connection

- Ensure the main power supply is switched off before making any electrical connections.
- Connect the chimney to a grounded electrical outlet. The appliance operates on 230 Volts.
- Avoid using extension cords or adapters.

3.4 Ducting (Ductless/Recirculating)

This model is designed for ductless/recirculating ventilation. It purifies the air and releases it back into the kitchen. No external ducting is required.

4. OPERATING INSTRUCTIONS

Your Faber Artemis chimney features an enhanced control panel with touch and gesture display for easy operation.

4.1 Power On/Off

- To power on, touch the power icon on the control panel.
- To power off, touch the power icon again.

4.2 Suction Speed Control

The chimney offers 3 speed settings to adjust suction based on cooking intensity.

- **Speed 1:** For light cooking or simmering.
- **Speed 2:** For moderate cooking.
- **Speed 3:** For heavy frying or intense cooking with significant smoke and odors.

Adjust the speed by touching the corresponding speed number on the control panel or using gesture control.

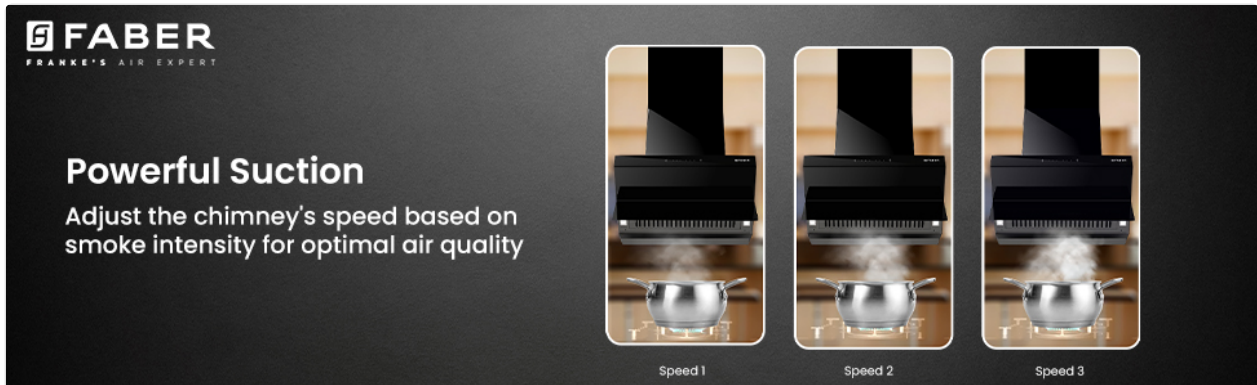


Image 4.1: Illustration of the chimney's powerful suction at various speed settings.

4.3 Touch & Gesture Control

The control panel allows operation via touch or hand gestures.

- **Touch Control:** Tap the icons on the panel to activate functions like power, speed, and light.
- **Gesture Control:** Wave your hand in front of the sensor (refer to the specific gesture patterns in the quick start guide) to control power and speed without touching the panel.

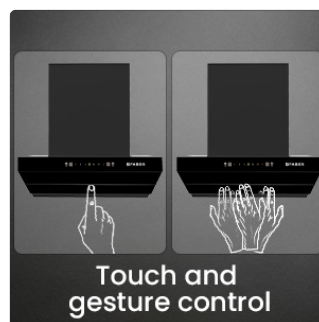


Image 4.2: Icons representing touch and gesture control features.

4.4 LED Lighting (Moodlight)

The chimney is equipped with 2 LED rectangle lights, which can also function as a mood light.

- Touch the light icon on the control panel to turn the lights on or off.
- Some models may offer adjustable brightness or color temperature; refer to the quick start guide for specific features.

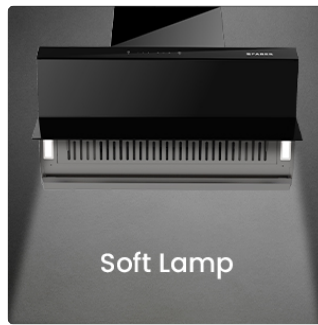


Image 4.3: Icon indicating the LED lamp feature.

5. MAINTENANCE

Regular maintenance ensures the longevity and efficiency of your Faber Artemis chimney.

5.1 Filterless Technology

Your chimney features advanced filterless technology, eliminating the need for traditional filters. This design directs smoke and oil particles directly into an oil collector, simplifying maintenance.

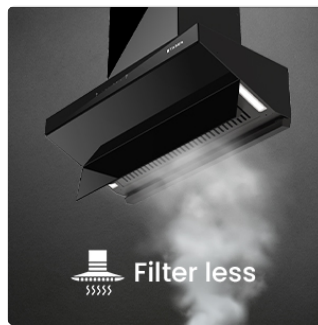


Image 5.1: Icon representing the filterless technology.

5.2 Autoclean Function and Alarm

The chimney is equipped with an autoclean function and an alarm to remind you when cleaning is due.

- When the autoclean alarm sounds or illuminates, it indicates that the internal components require cleaning.
- To initiate the autoclean cycle, press the dedicated autoclean button on the control panel. The chimney will run a self-cleaning process, typically involving heating the internal components to melt and collect oil into the oil collector.
- Allow the cycle to complete.

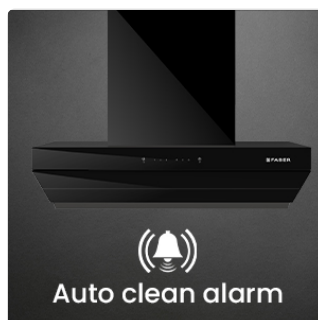


Image 5.2: Icon indicating the autoclean alarm feature.



Image 5.3: Icon representing the autoclean technology.

5.3 Cleaning the Oil Collector

- After the autoclean cycle, or when the oil collector is visibly full, carefully remove it from the chimney.
- Empty the collected oil into a suitable container.
- Wash the oil collector with warm, soapy water. Rinse thoroughly and dry completely before reinserting.

5.4 Exterior Cleaning

- Wipe the exterior surfaces (metal and tempered glass) with a soft, damp cloth and a mild detergent.
- Do not use abrasive cleaners, scouring pads, or harsh chemicals, as these can damage the finish.
- Ensure no water enters the electrical components.

6. TROUBLESHOOTING

Before contacting customer service, please refer to the following common issues and solutions:

Problem	Possible Cause	Solution
Chimney does not turn on.	No power supply.	Check if the power cord is properly plugged in and the circuit breaker is not tripped.
Low suction power.	Oil collector is full or dirty.	Clean the oil collector. Run the autoclean cycle.
Unusual noise during operation.	Loose components or foreign objects.	Turn off the chimney and inspect for any loose parts or obstructions. If noise persists, contact service.
LED lights not working.	Light bulb failure or electrical issue.	Check if the light function is activated. If not, contact customer service for bulb replacement or electrical inspection.

If the problem persists after attempting these solutions, please contact Faber customer service.

7. SPECIFICATIONS

Feature	Detail
Brand	Faber

Feature	Detail
Model Name	Artemis 75cm
Model Number	325.0719.728
Type	Wall Mounted, Slant Body with T Shape Panel
Product Dimensions (D x W x H)	37.5D x 75W x 58.5H Centimeters
Air Flow Capacity	1200 Cubic Meters Per Hour (m ³ /hr)
Filter Type	Filterless
Controls Type	Touch & Gesture Display
Number Of Speeds	3
Special Features	Auto Clean, Built-In Oil Collector, LED Lighting, Noise Reduction, Autoclean Alarm, Moodlight, Logo Illumination
Noise Level	58 Decibels
Light Source	2 LED Rectangle Lights
Motor Wattage	180 Watts
Voltage	230 Volts
Material Type	Metal, Tempered Glass
Item Weight	16400 Grams
Included Components	Chimney

8. WARRANTY & SUPPORT

8.1 Warranty Information

Your Faber Artemis 75cm Filterless Kitchen Chimney comes with the following warranty:

- **Motor:** 12 Years Warranty
- **Comprehensive:** 2 Years Warranty

The warranty covers manufacturing defects under normal domestic use. Please retain your purchase invoice for warranty claims. The warranty does not cover damage due to improper installation, misuse, or unauthorized repairs.

8.2 Customer Support

For any queries, service requests, or technical assistance, please contact Faber customer care:

- **Customer Care Number:** 1800-209-3484
- **Manufacturer/Importer Contact:** Franke Faber India Pvt Ltd, 1086/1/2, SANASWADI, TAL - SHIRUR,

PUNE - 412208, MAHARASHTRA, INDIA

You can also visit the official Faber website for more information and support resources.
