

## WOODTIME FC-XZC-KF210106-06HYA

# WOODTIME Vanity Set with Mirror and Stool Instruction Manual

Model: FC-XZC-KF210106-06HYA

## 1. INTRODUCTION

Thank you for choosing the WOODTIME Vanity Set. This manual provides detailed instructions for the assembly, operation, and maintenance of your new vanity set. Please read this manual thoroughly before assembly and use to ensure proper function and longevity of the product.

The WOODTIME Vanity Set includes a dressing table with a mirror, five drawers, and shelves, accompanied by a cushioned stool. It is designed to provide ample storage and a comfortable space for your daily routine.

## 2. SAFETY INFORMATION

- Assemble with two adults to ensure stability and prevent injury.
- Prevent tipping, falling, and unintended movement by following all installation instructions carefully.
- Always follow the provided installation product manual step-by-step.
- Keep small parts away from children during assembly.
- Do not overload drawers or shelves to maintain stability.

## 3. PACKAGE CONTENTS

Before beginning assembly, verify that all components listed in the separate assembly guide are present and undamaged. The package typically includes:

- Vanity Desk components (MDF panels, hardware)
- Mirror
- Cushioned Stool components
- Drawers and drawer slides

- Shelves
- Assembly hardware (screws, cam locks, dowels, crystal knobs)
- Assembly Instruction Manual



Figure 3.1: Overview of the WOODTIME Vanity Set components.

## 4. ASSEMBLY INSTRUCTIONS

Assembly of the WOODTIME Vanity Set is designed to be straightforward. Each step is illustrated in the separate product manual, and all parts are numbered or labeled. Please follow the instructions carefully.

1. **Prepare the Area:** Clear a spacious area for assembly. Lay out all parts and hardware.
2. **Assemble the Base:** Begin by assembling the main desk frame according to the diagrams.
3. **Install Drawers:** Attach the drawer slides to the desk and assemble the drawer boxes. Insert the drawers into their respective slots.
4. **Attach Shelves:** Secure the open shelves to the designated areas on the vanity.
5. **Mount Mirror:** Carefully attach the mirror to the vanity desk. Ensure it is securely fastened.
6. **Assemble Stool:** Put together the cushioned stool using the provided hardware.
7. **Final Checks:** Ensure all screws are tightened and the vanity is stable.

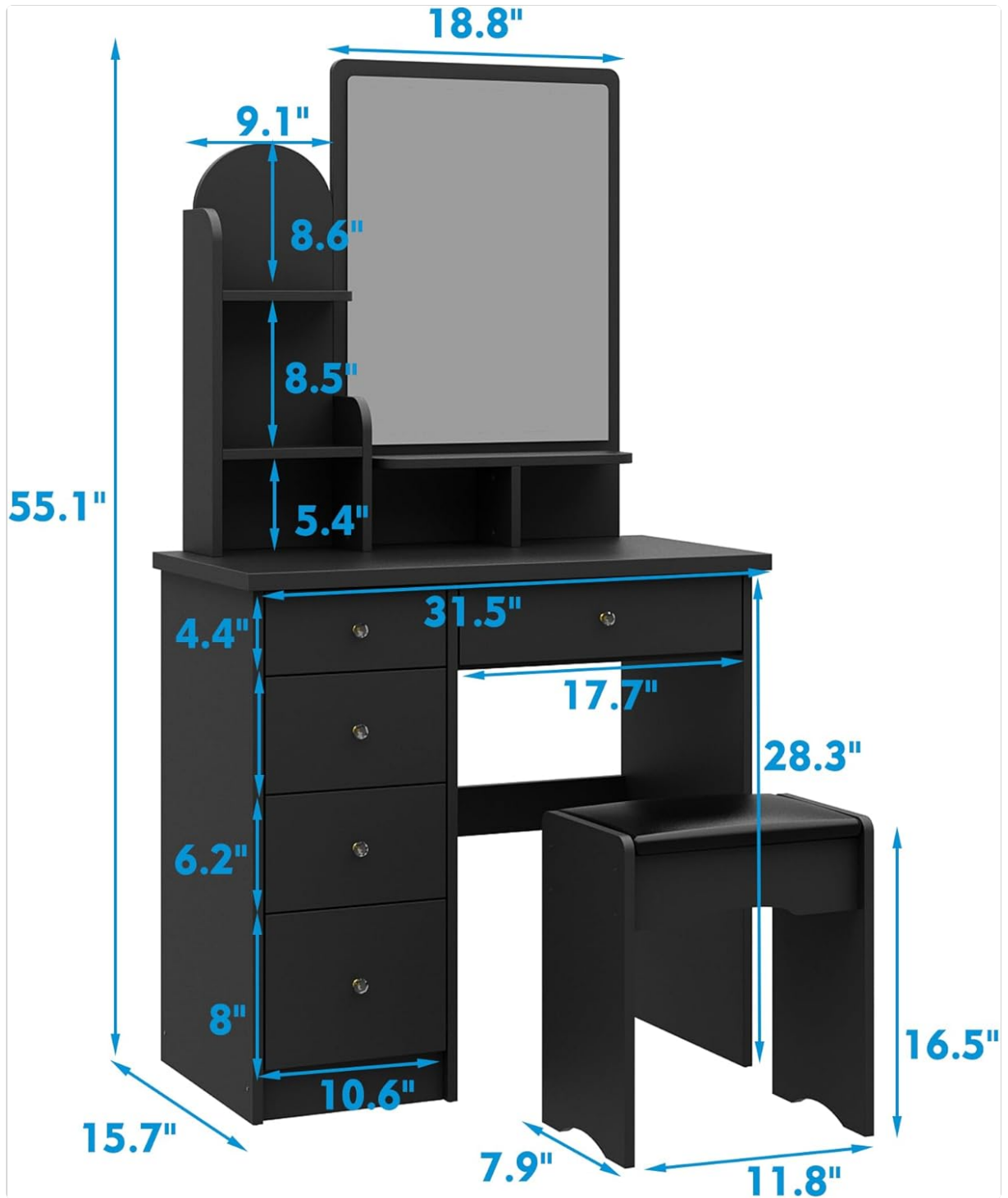


Figure 4.1: Detailed dimensions of the vanity set for assembly reference.



# Smooth slides

Figure 4.2: Illustration of smooth drawer slides for easy operation.



# Crystal knobs

Figure 4.3: Detail of the crystal knobs used on the drawers.

## 5. OPERATING INSTRUCTIONS

---

The WOODTIME Vanity Set is designed for ease of use and organization.

- **Mirror Usage:** The large HD mirror provides a clear reflection for makeup application and grooming.
- **Drawer Storage:** Utilize the five drawers for organized storage of cosmetics, jewelry, and other personal items. The smooth slides ensure easy opening and closing.
- **Open Shelves:** The integrated open shelves are suitable for displaying frequently used items, decorative pieces, or additional storage.
- **Cushioned Stool:** The included stool offers comfortable seating during use.



# HD mirror

Figure 5.1: The HD mirror provides a clear reflection for daily use.



# Open shelves

Figure 5.2: The open shelves offer convenient access to items.

## 6. MAINTENANCE AND CARE

To ensure the longevity and appearance of your vanity set, follow these care guidelines:

- **Cleaning:** The surface of the vanity desk is smooth and scratch-resistant. Wipe surfaces with a soft, damp cloth. Avoid abrasive cleaners or harsh chemicals.
- **Spills:** Promptly wipe up any spills to prevent staining or damage to the engineered wood.
- **Mirror Care:** Clean the mirror with a glass cleaner and a soft, lint-free cloth.
- **Stool Cushion:** For the faux leather stool cushion, wipe with a damp cloth and mild soap if necessary. Avoid excessive moisture.
- **Hardware:** Periodically check and tighten all screws and fasteners to maintain structural integrity.
- **Placement:** Avoid placing the vanity in direct sunlight or near heat sources to prevent material degradation.

## 7. TROUBLESHOOTING

If you encounter any issues with your WOODTIME Vanity Set, refer to the following common solutions:

- **Wobbly Structure:** Ensure all cam locks and screws are fully tightened. Re-check assembly steps if necessary.
- **Drawers Not Sliding Smoothly:** Verify that drawer slides are correctly installed and free from obstructions. Lubricate slides with a silicone-based lubricant if needed.
- **Missing Parts:** If any parts were missing upon delivery, contact WOODTIME customer support with your purchase details.
- **Surface Damage:** For minor scratches, furniture repair pens or kits designed for engineered wood can be used.

## 8. SPECIFICATIONS

Feature	Detail
Brand	WOODTIME
Model Number	FC-XZC-KF210106-06HYA
Product Dimensions	31.5"W x 15.7"D x 55.1"H
Frame Material	Engineered Wood
Seat Material Type	Faux Leather
Color	Black
Number of Drawers	5
Assembly Required	Yes (Assembly instructions provided)

## 9. WARRANTY AND SUPPORT

WOODTIME products are manufactured with quality and customer satisfaction in mind. For any questions regarding assembly, missing parts, or product defects, please contact WOODTIME customer support. Refer to your purchase documentation for specific warranty details and contact information.

You can visit the official WOODTIME store for more information: [WOODTIME Store](#)