



[Manuals.plus](#) /

> [Merax](#) /

> Merax Twin Over Full Bunk Bed with Trundle Instruction Manual

Merax Twin Over Full Bunk Bed with Trundle

Merax Twin Over Full Bunk Bed with Trundle Instruction Manual

Model: Twin Over Full Bunk Bed with Trundle

INTRODUCTION

This manual provides detailed instructions for the assembly, operation, maintenance, and safety of your Merax Twin Over Full Bunk Bed with Trundle. Please read all instructions carefully before assembly and use to ensure safe and proper operation of the product.



Image: The Merax Twin Over Full Bunk Bed with Trundle, featuring a white wooden frame, a twin bed on top, a full bed on the bottom, and a pull-out trundle bed. The bed is shown in a furnished bedroom.

IMPORTANT SAFETY INFORMATION

- **Weight Capacity:** Do not exceed the specified weight capacity for each bed. Exceeding capacity can lead to product failure and injury. The upper bed supports up to 300 pounds, and the lower bed supports up to 350 pounds.
- **Assembly:** Proper assembly is crucial for stability and safety. Ensure all parts are securely fastened according to the instructions.
- **Pinch Points:** Be aware of potential pinch points, especially around the ladder and moving parts of the trundle.
- **Trundle Use:** Trundle wheels should be used carefully. Avoid sudden movements or excessive force when pulling out or pushing in the trundle.
- **Material Handling:** Handle pine wood and MDF components with care to avoid sharp edges or splinters during assembly.

- **Guardrails:** The upper bunk is equipped with a full-length guardrail. Ensure it is always properly installed and maintained to prevent falls.
- **Mattress Thickness:** Recommended mattress thickness for both beds is 6 to 8 inches.

COMPONENTS LIST

Before beginning assembly, verify that all parts listed in your packaging are present and undamaged. Refer to the included assembly instructions for a detailed list of hardware and wooden components.

- Upper Bed Frame Components
- Lower Bed Frame Components
- Trundle Bed Frame Components
- Ladder
- Guardrails
- Wood Slats for Mattress Support
- Assembly Hardware (screws, bolts, nuts, etc.)
- Assembly Tools (e.g., Allen wrench)

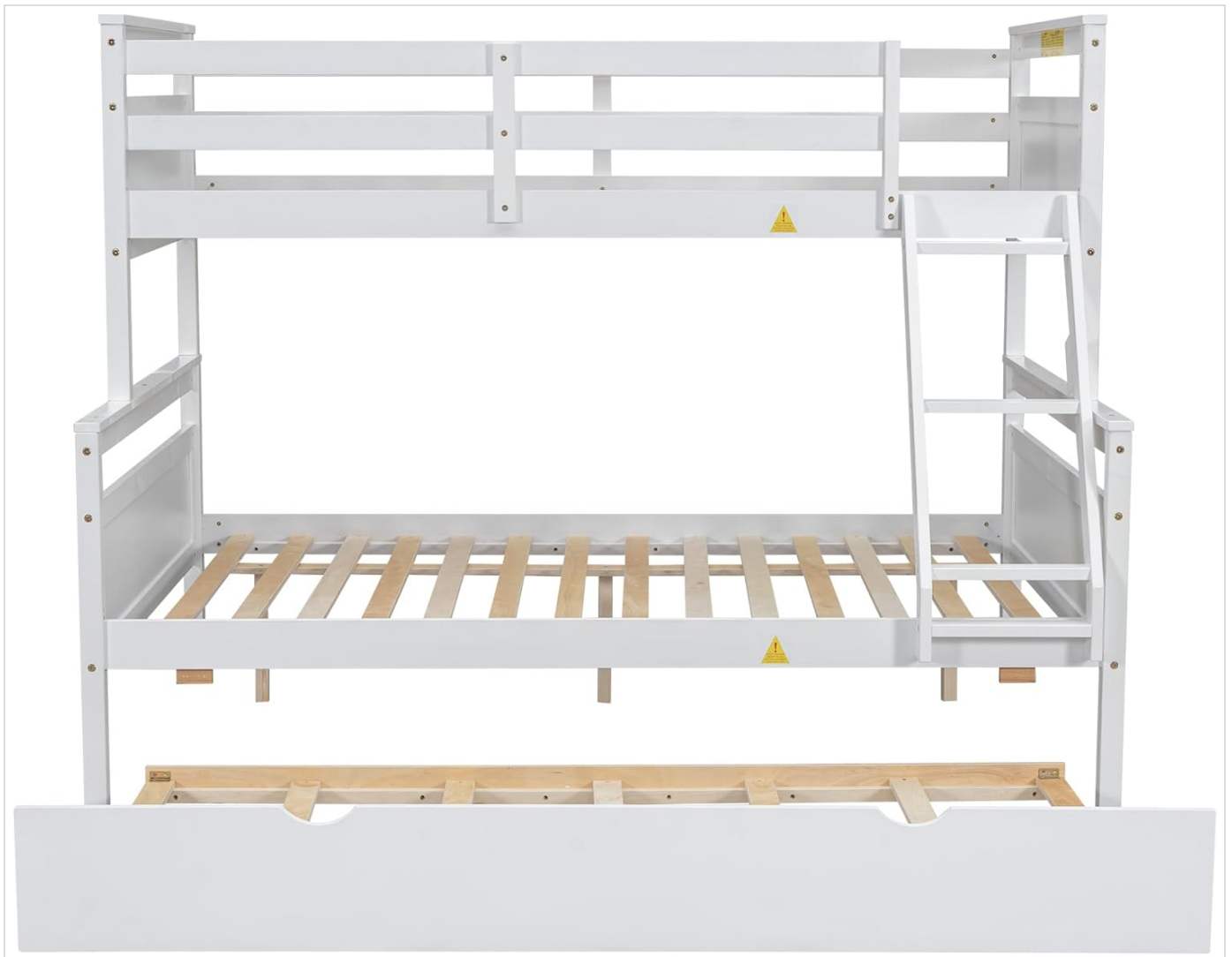


Image: A detailed view of the wooden slats that support the mattresses and the frame of the pull-out trundle bed, highlighting the structural components.

SETUP AND ASSEMBLY

Assembly of the Merax Twin Over Full Bunk Bed with Trundle requires careful attention to detail. It is recommended to have two adults for assembly. Please follow the step-by-step instructions provided in the separate assembly guide included with your product packaging.

1. **Unpack Components:** Lay out all components on a clean, soft surface (e.g., a rug or blanket) to prevent scratches.
2. **Identify Parts:** Match each part to the corresponding label in the assembly guide.
3. **Assemble Lower Bed:** Begin by assembling the frame of the full-size lower bed.
4. **Assemble Upper Bed:** Assemble the frame of the twin-size upper bed.
5. **Attach Ladder and Guardrails:** Securely attach the ladder and full-length guardrails to the upper bunk.
6. **Assemble Trundle:** Construct the trundle bed frame and install its wheels.
7. **Integrate Trundle:** Slide the assembled trundle under the lower bed.
8. **Final Checks:** Ensure all bolts and screws are tightened. Do not overtighten.

Note: The bunk bed is designed to be convertible into two separate beds. If you wish to use them as individual beds, follow the specific instructions in your assembly guide for separation.



Image: The Merax bunk bed disassembled into two individual beds, a twin and a full, with the trundle bed extended from beneath the full bed, demonstrating its convertible feature.



Image: An angled view of the Merax Twin Over Full Bunk Bed, showing the trundle bed partially pulled out from underneath the lower full bed, ready for use.

OPERATION

Using the Bunk Bed

- **Upper Bunk:** Only one person should occupy the upper bunk at a time. Ensure the user is capable of safely climbing the ladder.
- **Lower Bunk:** The full-size lower bunk can accommodate one or two individuals, respecting the weight limit.
- **Ladder Use:** Always use the ladder to access the upper bunk. Do not jump on or off the bunk beds.

Using the Trundle Bed

- **Pulling Out:** Gently pull the trundle bed from underneath the lower bunk using the designated handle or cutout. The wheels allow for smooth movement.
- **Pushing In:** To store, push the trundle back under the lower bunk until it is fully recessed.
- **Storage:** The trundle area can also be used for additional storage when not in use as a bed, ideal for toys, clothes, or linens.



Image: A side view of the Merax Twin Over Full Bunk Bed, showing the trundle bed partially extended from beneath the lower full bed, illustrating its functional design.

MAINTENANCE

- **Cleaning:** Wipe down the wooden surfaces with a soft, damp cloth. Avoid harsh chemicals or abrasive cleaners that may damage the finish.
- **Hardware Check:** Periodically check all bolts and screws to ensure they remain tight. Retighten as necessary to maintain structural integrity.
- **Slat Inspection:** Inspect the wooden slats regularly for any signs of damage or wear. Replace any broken slats immediately to ensure proper mattress support.
- **Trundle Wheels:** Keep trundle wheels clean and free of debris to ensure smooth operation.

TROUBLESHOOTING

Problem	Possible Cause	Solution
Bed feels wobbly or unstable.	Loose hardware.	Check and tighten all bolts and screws. Ensure all connections are secure.
Trundle does not slide smoothly.	Debris in wheels or track; damaged wheels.	Clean wheels and area under the bed. Inspect wheels for damage and replace if necessary.

Problem	Possible Cause	Solution
Squeaking noises.	Loose connections; friction between wood parts.	Retighten all hardware. Apply a small amount of wax or silicone spray to friction points if needed.
Missing parts during assembly.	Packaging error.	Contact Merax customer support with your purchase details and the specific missing part number.

SPECIFICATIONS

Brand: Merax

Model: Twin Over Full Bunk Bed with Trundle

Color: White

Finish Type: Wood

Product Dimensions (L x W x H): 78.7" x 57.4" x 63"

Item Weight: Approximately 103 pounds

Material: High quality pine and MDF

Upper Bed Weight Capacity: 300 pounds

Lower Bed Weight Capacity: 350 pounds

Recommended Mattress Thickness: 6" to 8"

Special Features: Convertible to 2 separated beds, Full-length guardrails, Inclined ladder, Twin Size Trundle

Assembly Required: Yes

size:inch

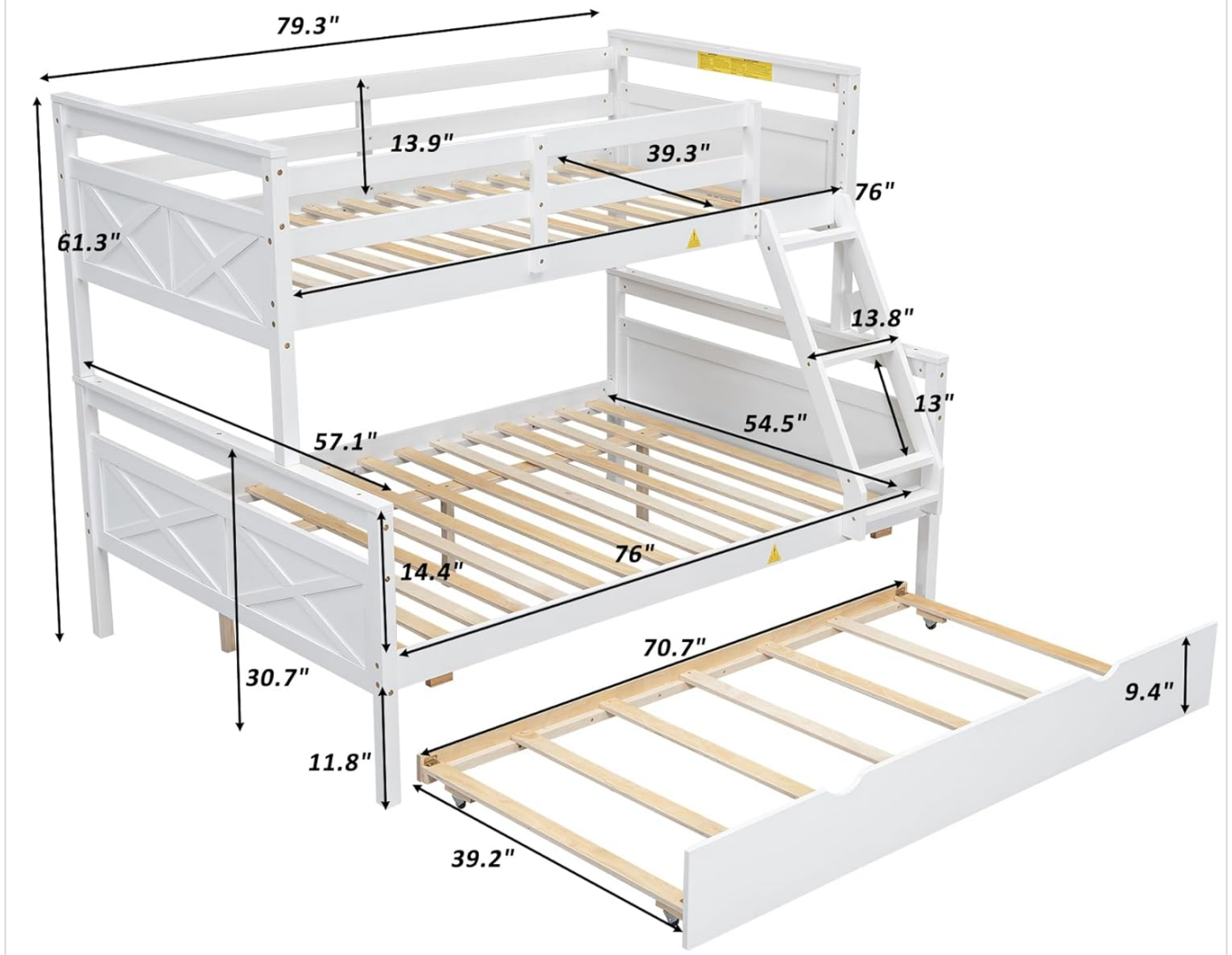


Image: A technical diagram illustrating the precise dimensions of the Merax Twin Over Full Bunk Bed, including the height, length, and width of both the bunk beds and the trundle unit.

CUSTOMER SUPPORT

For any questions, missing parts, or assistance with assembly, please contact Merax customer support. Refer to your purchase documentation for specific contact information or visit the official Merax website. Please have your model number (Twin Over Full Bunk Bed with Trundle) and purchase date available when contacting support.