



[Manuals.plus](#) /

› [WOODBIDGE](#) /

› WOODBRIDGE 60-inch Acrylic Alcove Soaking Bathtub User Manual

WOODBIDGE LB429-L-BG

WOODBIDGE 60-inch Acrylic Alcove Soaking Bathtub User Manual

MODEL: LB429-L-BG

Product Overview

This manual provides detailed instructions for the installation, operation, and maintenance of your WOODBRIDGE 60-inch Acrylic Rectangular Alcove Soaking Bathtub. Designed for comfort and durability, this bathtub features a high-gloss white LUCITE acrylic construction, reinforced with ASHLAND resin and fiberglass, ensuring a long-lasting and easy-to-maintain bathing experience.



Image: The WOODBRIDGE 60-inch Acrylic Alcove Soaking Bathtub, showcasing its sleek design and spacious interior within a modern bathroom setting.

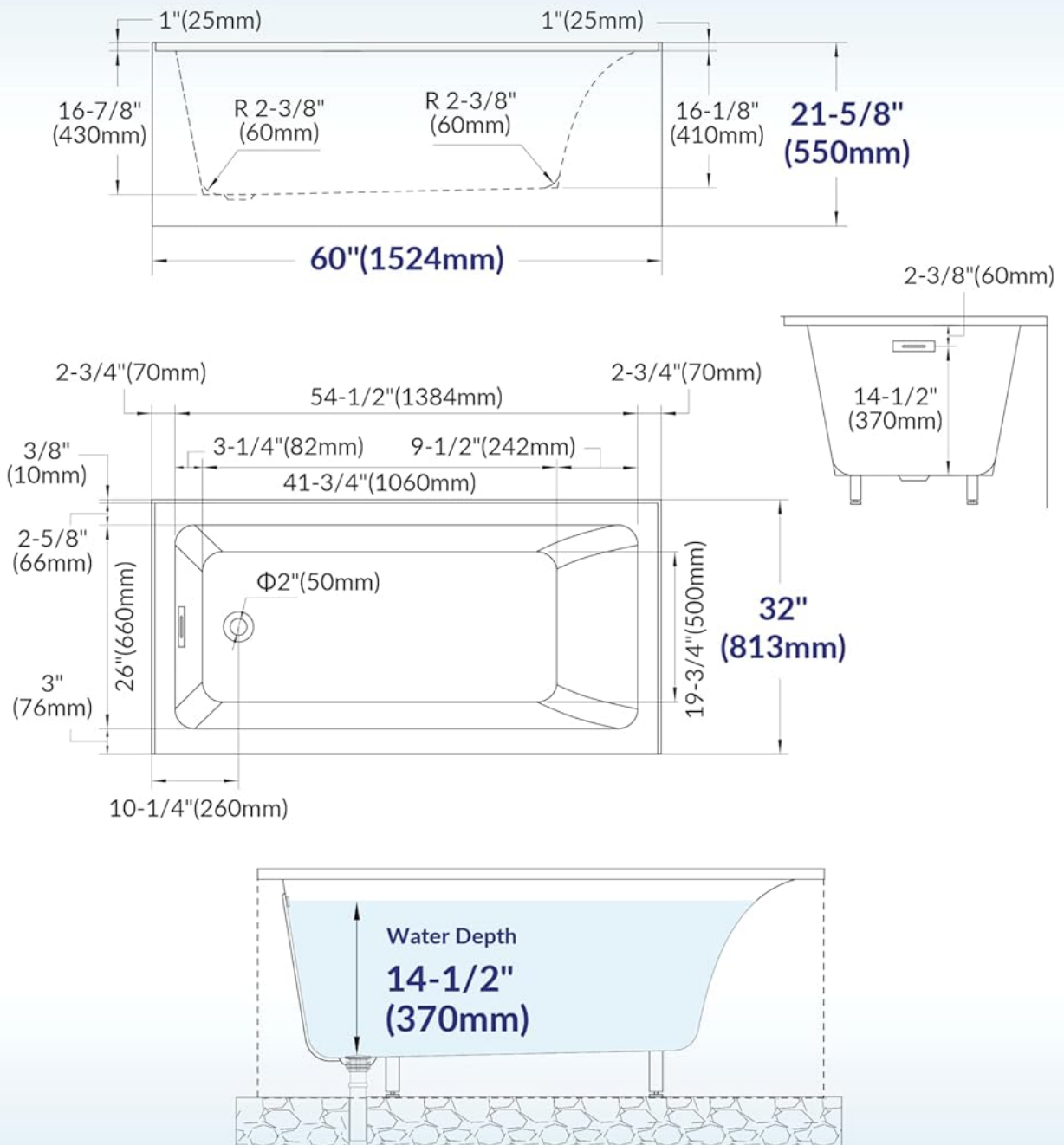
Safety Information

Please read all instructions carefully before installation and use. Failure to follow these instructions may result in injury or product damage.

- Ensure the installation area is structurally sound and can support the weight of the bathtub when filled with water and a person.
- Always use appropriate personal protective equipment (PPE) during installation.
- Verify all plumbing connections are secure and leak-free before finishing the installation.
- Do not use abrasive cleaners or harsh chemicals on the bathtub surface, as this may damage the finish.
- The bathtub features a slip-resistant textured floor; however, exercise caution when entering and exiting the tub.
- Keep children supervised when using the bathtub.

Specifications

Feature	Detail
Model Number	LB429-L-BG
External Dimensions (L x W x H)	60" x 32" x 21-5/8" (1524mm x 813mm x 550mm)
Internal Dimensions (L x W x D)	54-1/2" x 26" x 16-1/8" (D1) / 16-7/8" (D2)
Seating Area	41-3/4" x 19-3/4"
Material	High-gloss LUCITE Acrylic, ASHLAND Resin, Fiberglass
Drain Location	Left Drain (Brushed Gold pop-up drain included)
Capacity	62 Gallons
Item Weight	84 Pounds
Installation Type	Alcove
Certifications	CSA B45.5-17/IAPMO Z124-2017, ASTM standards for slip resistance



IMPORTANT INFORMATION

- Measurements are $\pm 1/2"$ and subject to change without notice
- Specifications & Configurations are subject to change without notice
- Please measure tub on-site before installation
- Measurements herein supersede all others published prior to publication date shown below
- Before ordering or installing, please consider future access to equipment

www.woodbridgebath.com

Installation Instructions

Proper installation is key to the performance and longevity of your bathtub. It is recommended that installation be performed by a qualified professional.

1. **Preparation:** Ensure the subfloor is level and capable of supporting the bathtub's weight. Frame the alcove opening according to the bathtub's dimensions, allowing for the integral tiling flange.
2. **Positioning:** Carefully move the bathtub into the alcove. The integral front skirt and three-sided tiling flange are designed for straightforward installation against three walls.
3. **Drain and Overflow Connection:** Connect the included solid brass pop-up drain and stainless steel overflow to your plumbing system. The fully sealed overflow drain system is integrated to minimize leaks and simplify installation.
4. **Leveling:** The bathtub is equipped with adjustable feet on all four corners. Use these to level the tub and ensure proper drainage.
5. **Securing:** Secure the bathtub to the wall studs through the tiling flange. Ensure the water retaining edge of the tub is hidden within the wall for a clean finish and to prevent water seepage.
6. **Finishing:** Install wall coverings (e.g., tile) over the tiling flange to create a waterproof seal. Apply a silicone sealant along all seams where the tub meets the wall.

Attention, Tub Door Installation

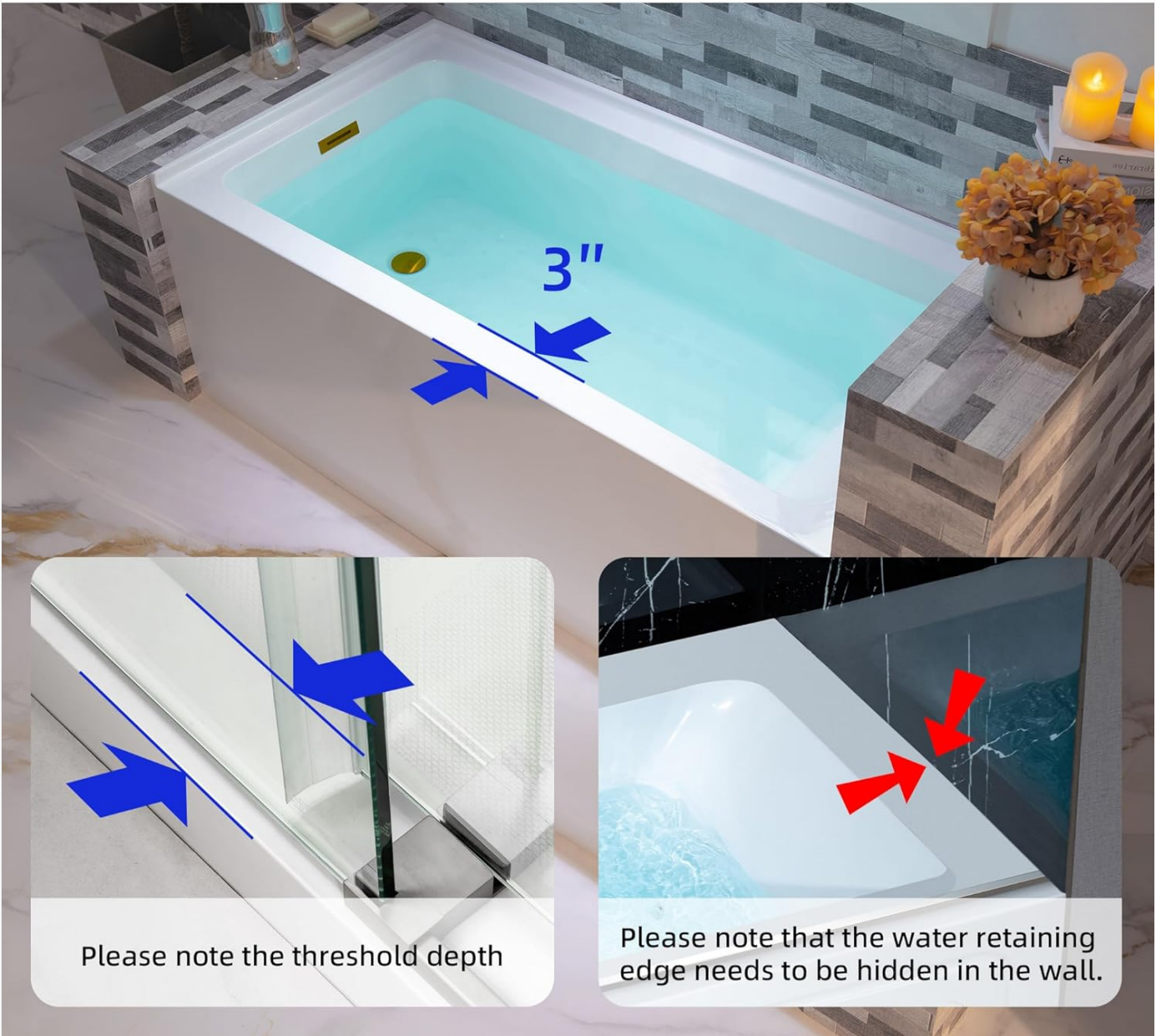


Image: Visual guide for understanding the threshold depth and ensuring the water retaining edge is properly concealed within the wall during installation.

Image: Diagram highlighting the integrated three-sided tiling flange, crucial for preventing water leakage and ensuring a watertight installation.

Image: Guide to determine the correct drain orientation (left or right) based on standing in front of the tub's skirt.

Image: Illustration of the pop-up drain and overflow system, showing how it integrates with the bathtub for efficient water management.

Operation

Using your WOODBRIDGE bathtub is straightforward.

- To fill the tub, ensure the pop-up drain is closed by pressing it down. Fill with water to your desired level.

- To drain the tub, press the pop-up drain again to open it.
- The bathtub's Lucite acrylic material is designed to maintain water temperature for extended periods, providing a comfortable soaking experience.



Image: Graphic demonstrating the superior heat retention of the genuine Lucite acrylic material, keeping bath water warmer for longer.

Maintenance and Cleaning

The WOODBRIDGE bathtub features an EnduraClean surface, making it easy to clean and maintain its high-gloss finish.

- For daily cleaning, use a soft cloth or sponge with mild, non-abrasive soap and warm water.
- Rinse thoroughly after cleaning to remove all soap residue.
- Avoid using abrasive cleaners, scouring pads, or harsh chemicals (e.g., acetone, paint thinner, strong acids/bases) as these can damage the acrylic surface.
- The surface is stain-resistant and scratch-resistant, ensuring it remains bright and clean over time.
- The textured floor meets ASTM standards for slip resistance, providing enhanced safety.



Image: Visual representation of the non-slip textured surface on the bathtub floor, designed for user safety and adherence to ASTM standards.

Troubleshooting

Problem	Possible Cause	Solution
Water Leakage	Improper sealing around the flange or drain connections.	Check all plumbing connections and ensure silicone sealant is properly applied around the tub perimeter. Reapply sealant if necessary.
Slow Drainage	Drain obstruction (hair, soap scum).	Remove the pop-up drain cover and clear any debris. Use a non-corrosive drain cleaner if needed.
Surface Scratches/Dullness	Use of abrasive cleaners or materials.	Use only mild, non-abrasive cleaners and soft cloths. Minor scratches may be buffed out with a specialized acrylic polish.

Warranty Information

WOODBRIDGE offers a **1-year limited warranty** on this bathtub. This warranty covers defects in material and workmanship from the date of purchase. Please retain your proof of purchase for warranty claims. The warranty does not cover damage resulting from improper installation, misuse, abuse, or normal wear and tear.

Customer Support

For any questions regarding installation, replacement parts, or general inquiries, please contact the WOODBRIDGE USA-based support team. Our friendly and knowledgeable team is ready to assist you.



Image: Our dedicated USA-based support team is available to provide assistance and answer any questions you may have about your WOODBRIDGE product.

You can also visit the official WOODBRIDGE store for more information and products:[WOODBRIDGE Amazon Store](#)



© 2025 WOODBRIDGE. All rights reserved.