

[Manuals.plus](#) /

> [EVVO](#) /

> EVVO CE10 60cm Telescopic Extractor Hood User Manual

EVVO V0317

EVVO CE10 60cm Telescopic Extractor Hood User Manual

Model: V0317 | Brand: EVVO

1. INTRODUCTION

This user manual provides essential information for the safe and efficient operation, installation, and maintenance of your EVVO CE10 60cm Telescopic Extractor Hood. Please read this manual thoroughly before using the appliance and keep it for future reference.

2. SAFETY INFORMATION

Always adhere to the following safety precautions to prevent personal injury or damage to the appliance.

- Ensure the electrical installation complies with local regulations.
- Do not operate the hood without filters properly installed.
- Regularly clean grease filters to prevent fire hazards.
- Do not flambé under the range hood.
- Disconnect the appliance from the power supply before any cleaning or maintenance.
- This appliance is not intended for use by persons (including children) with reduced physical, sensory or mental capabilities, or lack of experience and knowledge, unless they have been given supervision or instruction concerning use of the appliance by a person responsible for their safety.

3. SETUP AND INSTALLATION

The EVVO CE10 extractor hood is designed for under-cabinet mounting. Proper installation is crucial for optimal performance and safety.

3.1 Dimensions and Placement

The hood measures 32 cm (depth) x 60 cm (width) x 19.4 cm (height). Ensure sufficient space above your cooking area for installation. The hood is designed for ductless/recirculating ventilation.

Campana Extractora CE10

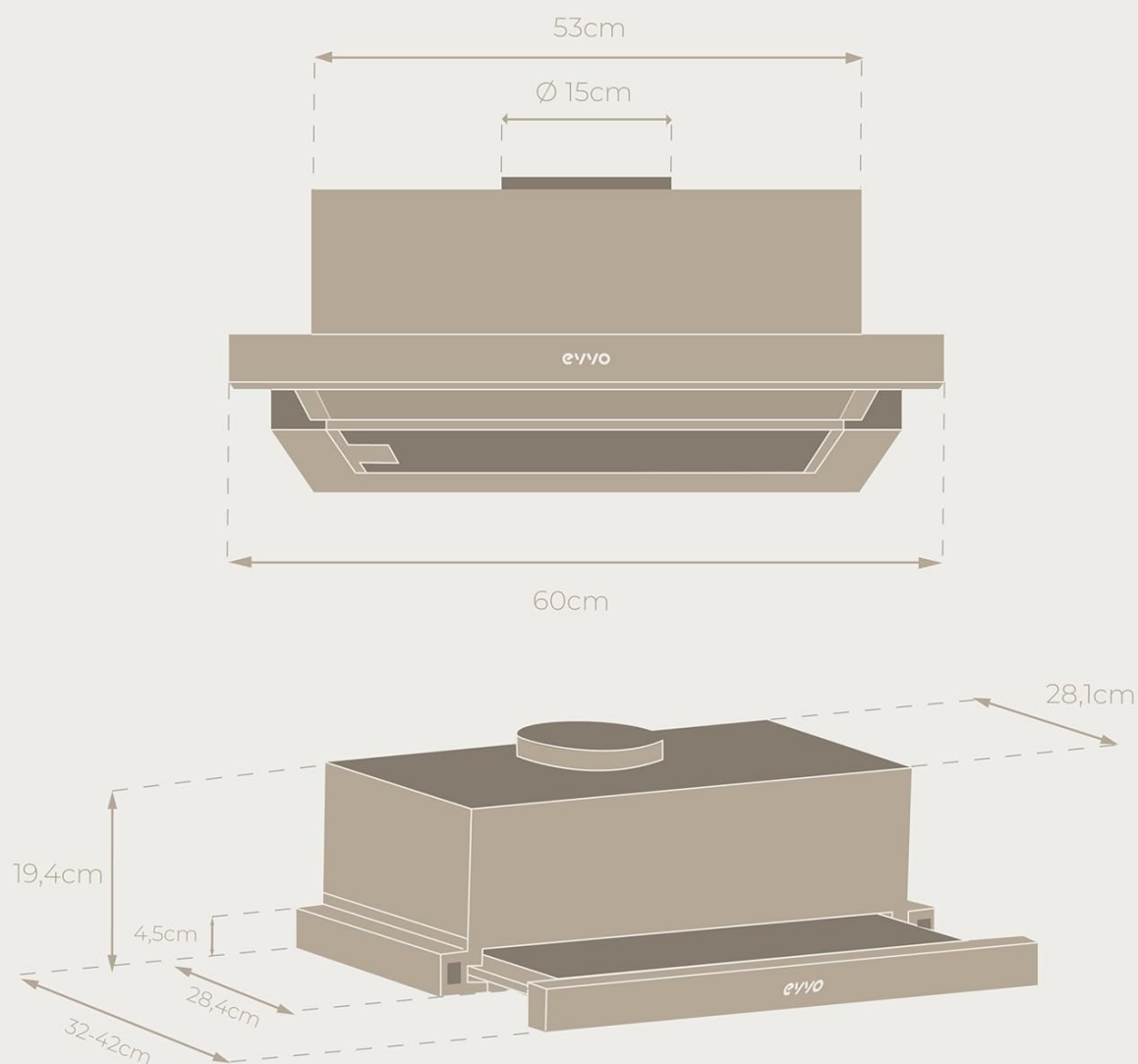


Figure 1: Technical drawing showing the dimensions of the EVVO CE10 extractor hood, including width, depth, height, and duct diameter.

Text Description: This image displays a technical diagram of the EVVO CE10 extractor hood, providing precise measurements for installation. The top view shows a width of 60cm and a depth of 53cm, with a circular duct outlet of 15cm diameter. The side view illustrates the height of 19.4cm, with additional details on the telescopic pull-out section, indicating a total depth range from 32cm to 42cm when extended.

3.2 Mounting

The hood is designed for under-cabinet mounting. Securely fasten the hood to the underside of your kitchen cabinet using appropriate screws and anchors (not included). Ensure the mounting surface is strong enough to support the hood's weight of 12 kg.



Figure 2: EVVO CE10 extractor hood installed above a stovetop in a modern kitchen, effectively clearing cooking fumes.

Text Description: This image shows the EVVO CE10 extractor hood seamlessly integrated into a contemporary kitchen setting, positioned directly above a stovetop. The hood is actively extracting fumes, demonstrating its function in maintaining a smoke-free environment. The text overlay emphasizes its ability to keep the kitchen free of smoke.

4. OPERATING INSTRUCTIONS

The EVVO CE10 features simple push-button controls for fan speed and lighting.

4.1 Power and Fan Speed

The hood is equipped with a 70W motor providing a powerful suction capacity of 350 m³/h. There are two adjustable speeds to suit your cooking needs:

- **Speed 1:** For light cooking and simmering.
- **Speed 2:** For heavy cooking, frying, and strong odors.

Press the corresponding push-button to select the desired speed. Press again to turn off the fan.



Figure 3: The EVVO CE10 extractor hood showcasing its sleek stainless steel finish in a kitchen environment.

Text Description: This image highlights the aesthetic appeal of the EVVO CE10 extractor hood, focusing on its stainless steel construction. The hood is shown installed in a kitchen, emphasizing its modern and elegant design that complements various kitchen decors. The text overlay states "Designed in stainless steel," reinforcing this key feature.

4.2 LED Lighting

The hood includes a 1.5W LED light to illuminate your cooking surface. Press the light button to turn the light on or off.



Figure 4: The EVVO CE10 extractor hood demonstrating its energy efficiency with an 'A' rating.

Text Description: This image features the EVVO CE10 extractor hood in a kitchen setting, with a prominent 'A' energy efficiency rating symbol displayed. The accompanying text overlay, "Eficiencia energética A" (Energy efficiency A), highlights the product's low energy consumption and environmental benefits, indicating it helps reduce electricity bills and environmental impact.

5. MAINTENANCE

Regular maintenance ensures the longevity and optimal performance of your EVVO CE10 extractor hood.

5.1 Cleaning the Exterior

Clean the stainless steel exterior with a soft cloth and a mild, non-abrasive cleaner. Do not use harsh chemicals or abrasive pads, as they can damage the finish.

5.2 Filter Maintenance

The hood is equipped with a 3-layer aluminum grease filter and an active carbon filter.

- **Aluminum Grease Filter:** This filter traps grease particles. It should be cleaned regularly (approximately every 2-4 weeks, depending on usage) to maintain efficiency and prevent fire hazards. The aluminum filter is washable and can be cleaned by hand with hot soapy water or in a dishwasher.
- **Active Carbon Filter:** This filter neutralizes odors. It is not washable and needs to be replaced periodically (approximately every 3-6 months, depending on usage). Refer to the manufacturer's guidelines for replacement part numbers.

5.3 Light Bulb Replacement

The hood uses LED lighting. If replacement is necessary, ensure the appliance is disconnected from power. For information on recycling and cleaning broken light bulbs, please refer to relevant local guidelines.

6. TROUBLESHOOTING

If you encounter issues with your EVVO CE10 extractor hood, refer to the following common problems and solutions:

Problem	Possible Cause	Solution
Hood does not turn on	No power supply	Check power cord connection and circuit breaker.
Low suction power	Clogged grease filters or carbon filters	Clean aluminum filters or replace carbon filters.
Excessive noise	Loose parts or improper installation	Check for loose screws or ensure proper mounting.
Lights not working	Faulty LED light or electrical connection	Check connections. If LED is faulty, contact support for replacement.

If the problem persists after attempting these solutions, please contact EVVO customer support.

7. SPECIFICATIONS

Feature	Specification
Model Number	V0317
Dimensions (L x W x H)	32 x 60 x 19.4 cm
Weight	12 Kilograms
Material	Stainless Steel
Airflow Capacity	350 m ³ /h
Motor Wattage	70W (65W listed in some specs)
Lighting Type	LED (1.5W)
Control Method	Push Button
Number of Speeds	2
Filter Type	3-layer Aluminum and Active Carbon

Feature	Specification
Ventilation Type	Ductless/Recirculating
Noise Level	68 dB
Energy Efficiency Class	A
Voltage	120V
Mounting Type	Under-cabinet mounting
Components Included	Extractor Hood, Aluminum Filters, Active Carbon Filters

8. WARRANTY AND SUPPORT

8.1 Spare Parts Availability

Spare parts for this appliance are available in the EU for a duration of 10 years from the date of purchase.

8.2 Customer Support

For any questions, technical assistance, or warranty claims, please contact your retailer or the EVVO customer support service. Keep your purchase receipt as proof of purchase.