

EVVO V0325

EVVO CE31 Decorative Extractor Hood User Manual

Model: V0325

1. INTRODUCTION

Thank you for choosing the EVVO CE31 Decorative Extractor Hood. This appliance is designed to effectively remove smoke, steam, and odors from your kitchen, ensuring a clean and fresh cooking environment. Featuring a powerful 650 m³/h suction capacity, a 165W motor, and intuitive touch controls with a display, the CE31 combines high performance with a modern, elegant design in stainless steel.

This manual provides essential information for the safe installation, operation, and maintenance of your new extractor hood. Please read it thoroughly before use and keep it for future reference.

2. SAFETY INSTRUCTIONS

To ensure safe operation and prevent damage, please observe the following safety precautions:

- **Electrical Safety:** Ensure the power supply matches the voltage specified on the appliance's rating label. Always disconnect the appliance from the power supply before cleaning or maintenance. Do not use the appliance if the power cord is damaged.
- **Installation:** Installation must be carried out by a qualified technician in accordance with local regulations and this manual. Ensure adequate ventilation in the room when the hood is used simultaneously with appliances burning gas or other fuels.
- **Usage:** This appliance is for domestic use only. Do not flambé under the range hood. Do not leave frying pans unattended during use as overheated oil can ignite. Clean filters regularly to prevent grease accumulation.
- **Children and Vulnerable Persons:** This appliance can be used by children aged 8 years and above and persons with reduced physical, sensory or mental capabilities or lack of experience and knowledge if they have been given supervision or instruction concerning use of the appliance in a safe way and understand the hazards involved. Children shall not play with the appliance. Cleaning and user maintenance shall not be made by children without supervision.

3. PRODUCT OVERVIEW

The EVVO CE31 Decorative Extractor Hood features a sleek design with a stainless steel finish and a black glass control panel. Key components include:

- **Main Body:** Stainless steel housing with integrated control panel.
- **Control Panel:** Touch-sensitive controls with a digital display for easy operation.
- **LED Lights:** Two 1.5W LED lights provide clear illumination over the cooking area.
- **Grease Filters:** Multi-layer aluminum filters designed to capture grease particles.
- **Carbon Filters (optional/included):** For recirculation mode, to neutralize odors.
- **Motor:** Powerful 165W motor for efficient extraction.



Figure 3.1: Front view of the EVVO CE31 Decorative Extractor Hood.

Campana Extractora Decorativa CE31

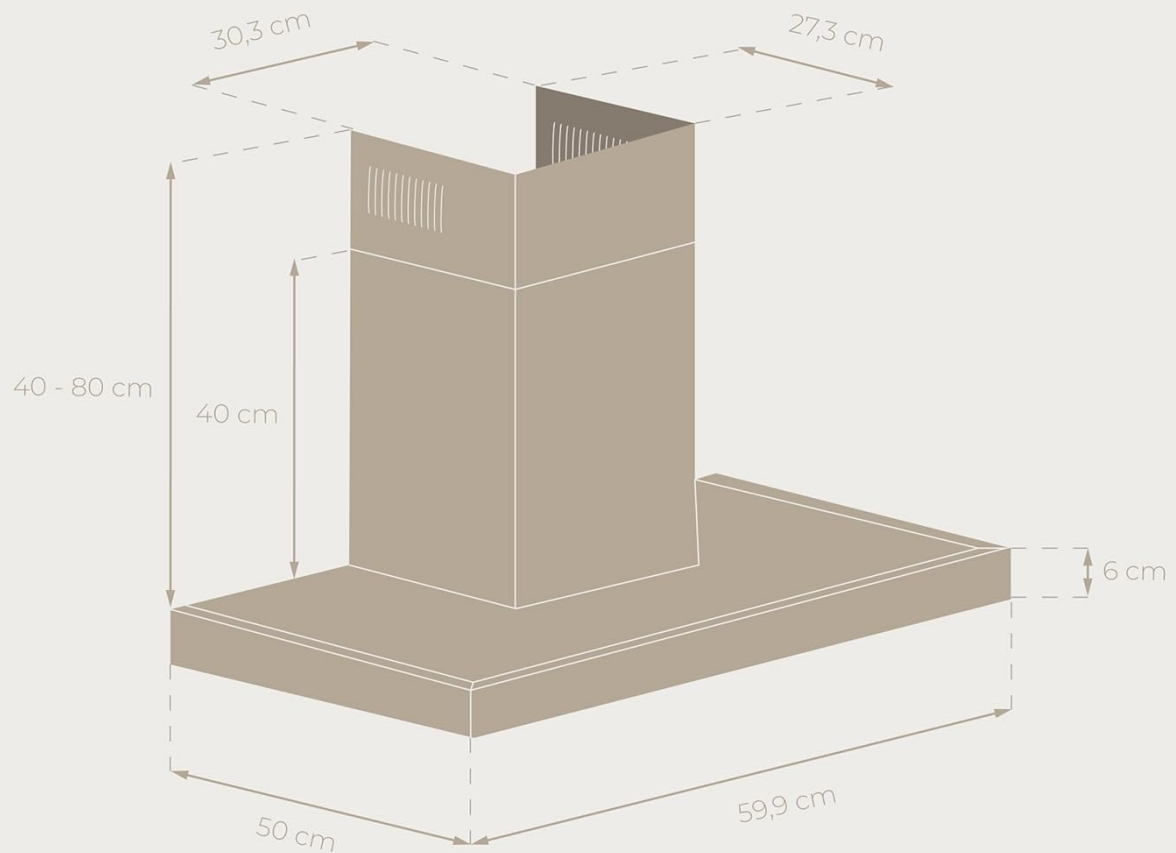


Figure 3.2: Dimensional diagram of the EVVO CE31 Extractor Hood, showing measurements for installation.

4. SETUP AND INSTALLATION

The EVVO CE31 is designed for wall-mounted installation. It can operate in either ducted (extraction) or recirculating mode (with carbon filters).

4.1 Unpacking

Carefully unpack the hood and check for any damage. Retain the packaging for future transport if needed. The box includes the Extractor Hood, Aluminum Filters, and Active Carbon Filters.

4.2 Mounting Requirements

- Ensure the wall is strong enough to support the hood's weight (approximately 14 kg).
- Maintain the recommended minimum distance between the cooking surface and the bottom of the hood (refer to local regulations, typically 65-75 cm for electric hobs and 75-85 cm for gas hobs).
- For ducted mode, ensure a suitable ducting system is in place to vent air outside.

- For recirculating mode, ensure carbon filters are correctly installed.

4.3 Electrical Connection

Connect the hood to a grounded electrical outlet. The voltage requirement is 120V. If in doubt, consult a qualified electrician.

5. OPERATING INSTRUCTIONS

The EVVO CE31 features a user-friendly touch control panel.



Figure 5.1: The EVVO CE31 effectively removes smoke and odors, ensuring a clean kitchen environment.

5.1 Control Panel Functions

- **Power Button (O):** Press to turn the hood on or off.
- **Speed Adjustment (+ / -):** Adjust the fan speed through 3 levels.
- **Boost Mode (*):** Activates maximum extraction power for intense cooking fumes. This mode typically runs for a set period (e.g., 5 minutes) before returning to the previous speed or turning off.

- **Light Button** (*): Turns the LED lights on or off.
- **Timer Button** (): Activates the automatic shut-off timer. The hood will operate for a preset duration (e.g., 5 minutes) and then turn off automatically.

5.2 Recommended Usage

- Turn on the hood a few minutes before you start cooking to create an airflow.
- Select the appropriate speed based on the intensity of cooking fumes.
- Use Boost mode for heavy frying or grilling.
- Allow the hood to run for a few minutes after cooking to clear any remaining odors.

6. MAINTENANCE AND CLEANING

Regular maintenance ensures optimal performance and extends the lifespan of your extractor hood.

6.1 Cleaning the Grease Filters

The multi-layer aluminum grease filters should be cleaned regularly (approximately every 2-4 weeks, depending on usage) to prevent grease buildup and maintain suction efficiency. They can be washed by hand with hot soapy water or in a dishwasher on a low-temperature cycle.

1. Switch off and unplug the hood from the power supply.
2. Open the filter latches and remove the aluminum filters.
3. Clean the filters as described above.
4. Allow filters to dry completely before re-installing them.

6.2 Replacing Carbon Filters (for Recirculating Mode)

Active carbon filters cannot be washed and must be replaced periodically (typically every 3-6 months, depending on usage and cooking habits). Refer to your specific model's instructions for replacement.

6.3 General Cleaning

Clean the exterior of the hood with a soft cloth and a mild, non-abrasive detergent. For stainless steel surfaces, use a specialized stainless steel cleaner to maintain its finish. Do not use abrasive cleaners or scouring pads.



Diseñado en acero inoxidable

Elegancia y funcionalidad unidas en cualquier cocina con un ancho de 60cm.

Figure 6.1: The EVVO CE31 features a durable and elegant stainless steel finish.

6.4 LED Light Replacement

The hood is equipped with long-lasting LED lights. If replacement is necessary, consult a qualified technician or refer to the detailed instructions for bulb replacement provided by EVVO. Ensure the hood is disconnected from the power supply before attempting any light replacement.

For information on recycling and cleaning broken or deteriorated bulbs, please refer to relevant local guidelines and regulations.

7. TROUBLESHOOTING

Before contacting customer service, please check the following common issues and solutions:

Problem	Possible Cause	Solution
---------	----------------	----------

Problem	Possible Cause	Solution
Hood does not turn on.	No power supply; power cord disconnected; fuse blown.	Check power connection; check circuit breaker/fuse box.
Low suction power.	Grease filters are dirty; carbon filters are saturated (recirculating mode); ducting is blocked or too long/narrow.	Clean grease filters; replace carbon filters; check ducting for obstructions or proper sizing.
Excessive noise.	Loose components; improper installation; motor issue.	Check for loose screws or parts; ensure proper installation; if noise persists, contact service.
Lights not working.	LED bulbs faulty; electrical connection issue.	Check light connection; replace LED bulbs if necessary (consult technician).

If the problem persists after checking these points, please contact EVVO customer support.

8. SPECIFICATIONS

Technical specifications for the EVVO CE31 Decorative Extractor Hood:

Feature	Detail
Brand	EVVO
Model Number	V0325
Product Dimensions	90 x 90 x 46 cm (Depth x Width x Height); 60cm width for this specific variant
Weight	14 Kilograms
Airflow Capacity	650 m ³ /h
Wattage	165 Watts
Noise Level	71 dB
Energy Efficiency Class	A
Control Method	Touch Control
Lighting Type	LED (2 x 1.5W)
Filter Type	Mesh (Aluminum) and Active Carbon
Ventilation Type	Ductless/Recirculating
Mounting Type	Wall Mounted
Voltage	120V
Components Included	Extractor Hood, Aluminum Filters, Active Carbon Filters



Figure 8.1: The EVVO CE31 boasts an Energy Efficiency Class A rating.

9. WARRANTY AND SUPPORT

EVVO products are manufactured to high-quality standards. In the unlikely event of a defect, please refer to your purchase documentation for warranty terms and conditions.

Spare parts for this model are available for a period of 10 years within the EU.

For technical assistance, troubleshooting beyond this manual, or to inquire about spare parts, please contact EVVO customer support through their official website or your retailer.

You can visit the EVVO store on Amazon for more information:[EVVO Store](#)