

[Manuals.plus](#) /

> [vidaXL](#) /

> vidaXL 11-Piece Patio Dining Set with Cushions, Model 3277735 User Manual

## vidaXL 3277735

# vidaXL 11-Piece Patio Dining Set with Cushions, Model 3277735 User Manual

Model: 3277735

## 1. PRODUCT OVERVIEW

The vidaXL 11-Piece Patio Dining Set is designed for outdoor dining and relaxation. This set features durable PE rattan construction, a tempered glass tabletop, and includes chairs with foldable backrests and stools for compact storage. Thickly padded cushions provide a comfortable seating experience.



Image 1.1: Fully assembled vidaXL 11-Piece Patio Dining Set, showcasing the table, chairs, and stools in a gray poly rattan finish with dark cushions.

## 2. SAFETY INFORMATION

- Ensure all components are securely fastened before use.
- Do not exceed the maximum load capacity of 242.5 lb (110 kg) per seat.
- Keep children and pets away during assembly.

- Avoid placing hot items directly on the tempered glass tabletop without protection.
- For stability, place the set on a flat, level surface.
- Protect the set with a waterproof cover during adverse weather conditions or prolonged periods of non-use to maintain its appearance and longevity.

### 3. PACKAGE CONTENTS

---

Verify that all parts are present before beginning assembly. If any parts are missing or damaged, contact customer support.

- 1 x Dining Table (with tempered glass top)
- 6 x Chairs (with foldable backrests and cushions)
- 4 x Stools (with cushions)
- Assembly hardware (screws, bolts, tools)
- Instruction manual

### 4. SETUP AND ASSEMBLY

---

Assembly is required for this dining set. It is recommended to assemble the furniture on a soft, clean surface to prevent scratches. Two people are recommended for assembly.

#### 4.1. Table Assembly

1. Unpack all table components and lay them out.
2. Attach the table legs to the tabletop frame using the provided hardware. Ensure all connections are secure.
3. Install any crossbars or support structures as indicated in the detailed assembly diagram (not provided here, refer to included manual).
4. Carefully place the tempered glass panels onto the table frame.



Image 4.1: The underside view of the dining table, showing the poly rattan frame and support structure before glass installation.

#### 4.2. Chair Assembly

1. Unpack chair components.

2. Attach the chair backrest and seat frame together.
3. Secure the legs to the chair frame.
4. Ensure the foldable backrest mechanism operates smoothly.
5. Place cushions on the chair seats.



Image 4.2: Close-up of a chair's poly rattan weave and the dark gray cushion, highlighting the texture and construction.

### 4.3. Stool Assembly

1. Unpack stool components.
2. Assemble the stool frame using the provided hardware.

3. Place cushions on the stool tops.



Image 4.3: A single stool from the set, featuring the gray poly rattan weave and a dark gray cushion.

## 5. OPERATING AND USAGE

---

### 5.1. Standard Use

The dining set is designed for outdoor use. Arrange the table, chairs, and stools as desired for dining or social gatherings. Ensure cushions are properly placed for comfort.



Image 5.1: The dining set arranged on a patio, demonstrating its use in an outdoor environment.

## 5.2. Compact Storage

This set features a space-saving design for compact storage.

1. Remove all cushions from chairs and stools.
2. Fold down the backrests of the chairs.
3. Slide the stools completely under the chairs.
4. Push the chairs, with stools underneath, neatly under the dining table. This forms a compact cube shape, maximizing space efficiency.

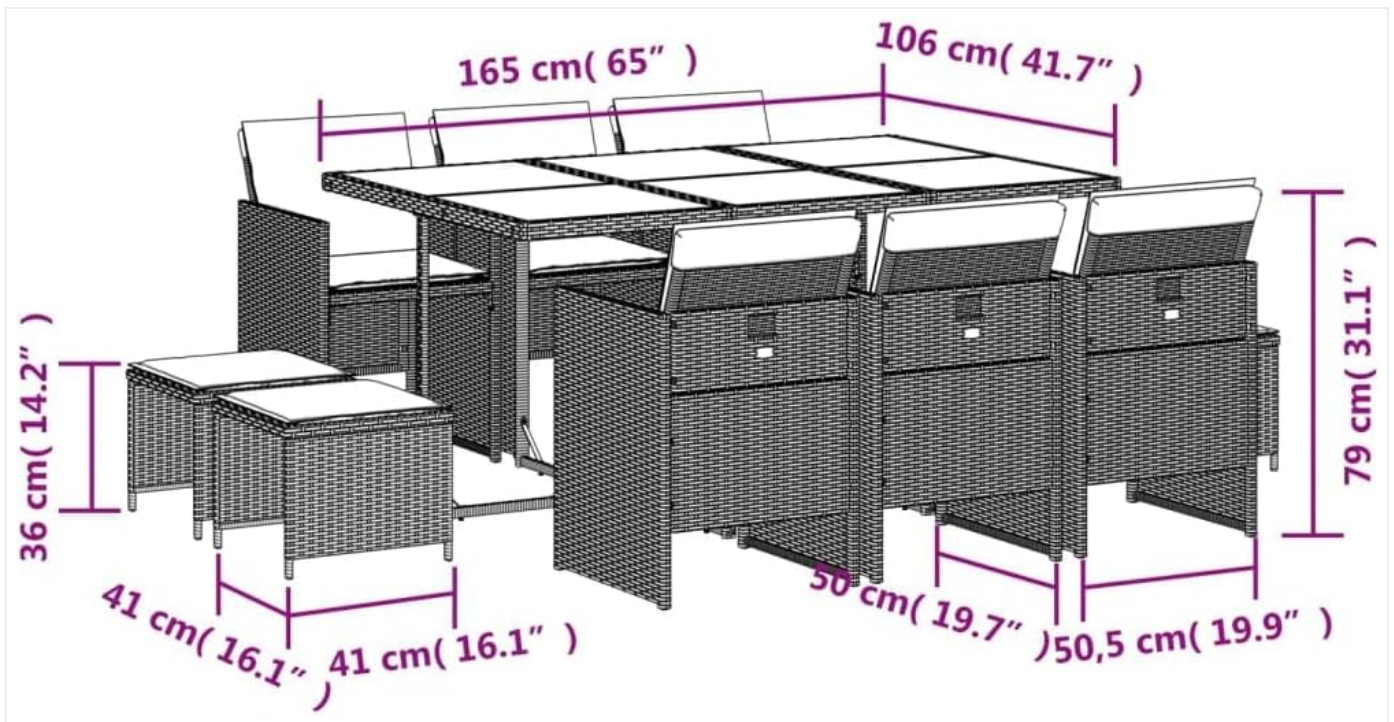


Image 5.2: Dimensional diagram of the dining set, illustrating the overall size and individual component measurements, useful for understanding compact storage.

## 6. MAINTENANCE

### 6.1. Cleaning

- **PE Rattan:** Wipe with a damp cloth and mild soap. Rinse thoroughly and dry completely. Avoid harsh chemicals or abrasive cleaners.
- **Tempered Glass Tabletop:** Clean with a damp cloth and standard glass cleaner.
- **Cushions:** The seat cushions feature removable covers for easy washing. Follow care instructions on the cushion labels. Typically, machine wash cold on a gentle cycle and air dry.

### 6.2. Protection and Storage

- To ensure the longevity and beauty of your outdoor furniture, protect it with a waterproof cover when not in use, especially during rain, snow, or intense sunlight.
- Store cushions indoors during inclement weather or when not in use to prevent fading and moisture damage.
- Utilize the compact storage feature to minimize the footprint of the set when not in use.

## 7. TROUBLESHOOTING

- **Wobbly Table/Chair:** Check all bolts and screws. Tighten any loose connections. Ensure the furniture is on a level surface.
- **Cushion Fading:** This is normal over extended periods of sun exposure. To minimize, store cushions indoors or use a waterproof cover when not in use.
- **Rattan Damage:** Small damages can sometimes be repaired with appropriate rattan repair kits. For significant damage, contact customer support.

## 8. SPECIFICATIONS

Feature	Detail
---------	--------

Feature	Detail
Model Number	3277735
Material	PE Rattan, Powder-Coated Steel, Tempered Glass
Table Dimensions (L x W x H)	65" x 41.7" x 28.7" (165 cm x 106 cm x 73 cm)
Chair Dimensions (W x D x H)	19.9" x 21.3" x 31.1" (50.5 cm x 54 cm x 79 cm)
Stool Dimensions (W x D x H)	Approx. 16.1" x 16.1" x 14.2" (41 cm x 41 cm x 36 cm)
Seat Height from Ground	16.9" (43 cm)
Armrest Height from Ground	25" (63.5 cm)
Maximum Load Capacity (per seat)	242.5 lb (110 kg)
Color	Gray (Rattan), Black (Tabletop), Dark Gray (Cushions)
UV-Resistant	Yes
Assembly Required	Yes

## 9. WARRANTY AND SUPPORT

For warranty information, product support, or to order replacement parts, please refer to the documentation included with your purchase or visit the official vidaXL website.

You can also visit the vidaXL store on Amazon for more information: [vidaXL Store](#)

