

Mobility Lab ML301310

Mobility Lab ML301310 Webcam User Manual

Model: ML301310 | Brand: Mobility Lab

1. SAFETY INFORMATION

Please read this manual carefully before using the Mobility Lab ML301310 Webcam. Keep this manual for future reference.

- Do not expose the device to extreme temperatures, humidity, or direct sunlight.
- Avoid dropping or subjecting the webcam to strong impacts.
- Do not attempt to disassemble or modify the webcam. This will void the warranty.
- Clean the device with a soft, dry cloth. Do not use liquid cleaners or aerosols.
- Keep out of reach of children.

2. PRODUCT OVERVIEW

The Mobility Lab ML301310 is a wired USB webcam designed for clear and precise video communication. It features Full HD resolution, an integrated microphone, and an adjustable LED ring for optimal lighting.

2.1. Package Contents

Ensure all items are present in the package:

- Mobility Lab ML301310 Webcam
- Integrated USB Cable (1.3m)
- User Manual (this document)

2.2. Key Features

- Full HD 1080p Video Quality
- Integrated Microphone
- Adjustable LED Ring for enhanced lighting
- Universal Screw Thread for stable mounting
- Plug and Play USB Connectivity

- Compatible with macOS and Windows

2.3. Product Views





Figure 2.1: Front view of the Mobility Lab ML301310 Webcam, showing the lens and the LED ring.



Figure 2.2: The webcam's capability for Full HD 1920x1080p video resolution.

POUR/FOR

**Windows
&
macOS**

CÂBLE 1,3M



CONNEXION FILAIRE

USB

Figure 2.3: Side view illustrating the 1.3m USB cable for wired connection and its compatibility with Windows and macOS operating systems.



Figure 2.4: Detail of the integrated microphone and the universal screw thread for versatile mounting options.



Figure 2.5: The webcam featuring its adjustable LED ring, providing additional illumination for video calls.



Figure 2.6: The compact design of the webcam shown mounted on top of a laptop screen, demonstrating its discreet profile.

COMPACT

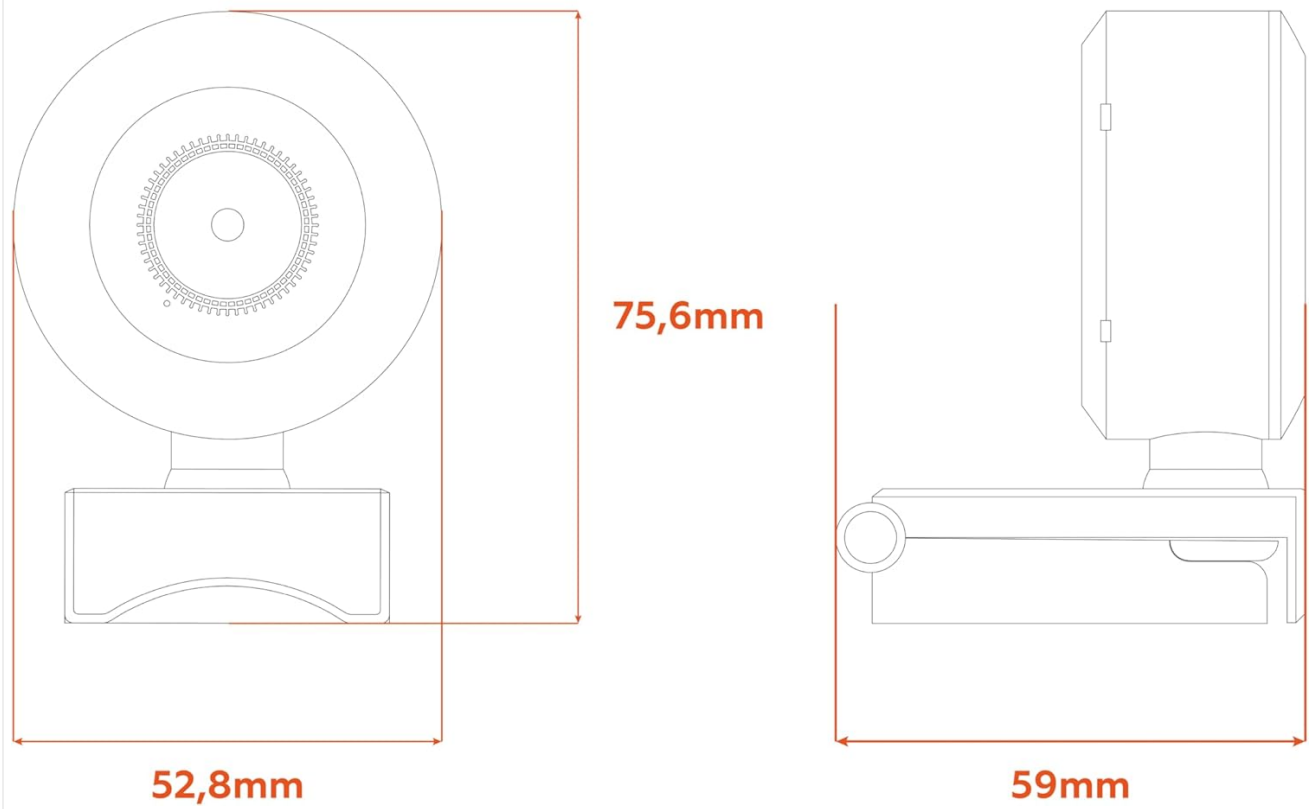


Figure 2.7: Technical diagram showing the dimensions of the webcam: 75.5mm height, 52.8mm width, and 59mm depth.

3. SETUP

The Mobility Lab ML301310 Webcam is designed for easy plug-and-play installation.

3.1. Connecting the Webcam

1. **Position the Webcam:** Place the webcam on top of your monitor, laptop screen, or a flat surface. The integrated universal screw thread allows for stable positioning.
2. **Connect to Computer:** Plug the USB cable from the webcam into an available USB port on your computer (desktop, laptop, or tablet).
3. **Automatic Installation:** The webcam is plug-and-play. Your operating system (Windows or macOS) should automatically detect and install the necessary drivers. No additional software installation is typically required.
4. **Verification:** Once connected, the webcam should be recognized by your system. You can verify this in your computer's Device Manager (Windows) or System Information (macOS).

4. OPERATING INSTRUCTIONS

Once set up, the webcam is ready for use with various applications.

4.1. Using with Video Conferencing Software

The Mobility Lab ML301310 is compatible with most video conferencing software, including Zoom, Skype, and Microsoft Teams.

1. **Launch Application:** Open your preferred video conferencing application.
2. **Select Webcam:** In the application's settings (usually under "Audio & Video" or "Devices"), select "Mobility Lab ML301310" as your camera and microphone input.
3. **Start Call:** Begin your video call or recording.

4.2. Adjusting the LED Ring

The integrated LED ring provides additional lighting for improved image quality, especially in low-light conditions.

- The LED ring can be adjusted by rotating the outer ring of the webcam.
- Rotate clockwise to increase brightness and counter-clockwise to decrease brightness.

4.3. Microphone Usage

The webcam features an integrated microphone for clear audio capture.

- Ensure the webcam's microphone is selected as the audio input device in your application settings.
- For optimal audio quality, speak clearly and maintain a reasonable distance from the webcam.

5. MAINTENANCE

Proper care will ensure the longevity of your webcam.

- **Cleaning:** Use a soft, lint-free cloth to gently wipe the lens and the body of the webcam. Do not use abrasive cleaners, alcohol, or solvents.
- **Storage:** When not in use, store the webcam in a clean, dry place away from direct sunlight and extreme temperatures.
- **Cable Care:** Avoid bending or twisting the USB cable excessively to prevent damage.

6. TROUBLESHOOTING

If you encounter issues with your webcam, refer to the following common problems and solutions:

Problem	Possible Cause	Solution
Webcam not detected by computer.	Loose USB connection, faulty USB port, driver issue.	Ensure the USB cable is securely plugged into both the webcam and the computer. Try a different USB port on your computer. Restart your computer. Check Device Manager (Windows) or System Information (macOS) to see if the webcam is listed.
Poor image quality (blurry, dark, overexposed).	Insufficient lighting, dirty lens, incorrect software settings.	Ensure adequate lighting in your environment. Adjust the integrated LED ring for better illumination. Clean the webcam lens with a soft, dry cloth. Check video settings within your conferencing software (e.g., brightness, contrast).

Problem	Possible Cause	Solution
No audio or poor audio quality from microphone.	Microphone not selected, volume too low, background noise.	<p>Verify that "Mobility Lab ML301310" is selected as the microphone input in your application's audio settings.</p> <p>Check the microphone volume levels in your computer's sound settings.</p> <p>Minimize background noise in your environment.</p> <p>If audio quality remains unsatisfactory, consider using an external microphone.</p>

7. SPECIFICATIONS

Technical specifications for the Mobility Lab ML301310 Webcam:

Brand	Mobility Lab
Model	ML301310
Connectivity Technology	USB (Wired)
Video Resolution	1920 x 1080p (Full HD)
Special Features	Adjustable LED Ring, Integrated Microphone, Universal Screw Thread, Plug and Play
Cable Length	1.3 meters
Compatible Devices	Personal Computer, Laptop, Tablet
Operating System Compatibility	macOS, Windows
Dimensions (L x W x H)	75.5 x 52.8 x 59 mm
Weight	85.5 Grams
Focus Type	Fixed Focus

8. WARRANTY AND SUPPORT

Mobility Lab products are designed for reliability and performance.

- Manufacturer's Warranty:** This product comes with a 2-year manufacturer's warranty. Please retain your proof of purchase for warranty claims.
- Technical Support:** For technical assistance or further inquiries, please visit the official Mobility Lab website or contact their customer support.
- Online Resources:** Additional information and FAQs may be available on the Mobility Lab brand store page: [Mobility Lab Store](#).