

Manuals.plus /

› Tonton /

› Tonton 16AWG 12V/24V DC Power Cord for Portable Car Refrigerators (Model: CC-CR) - Instruction Manual

## Tonton CC-CR

# Tonton 16AWG 12V/24V DC Power Cord for Portable Car Refrigerators

Model: CC-CR

## INTRODUCTION

This manual provides essential information for the safe and effective use of your Tonton 16AWG 12V/24V DC Power Cord. Please read these instructions carefully before use and retain them for future reference.

## PRODUCT OVERVIEW

The Tonton 16AWG 12V/24V DC Power Cord (Model: CC-CR) is designed to provide reliable power to portable car refrigerators and freezers. It features a 16 AWG pure copper wire for efficient power transmission and a durable construction for various outdoor and vehicle applications. The cable is 3.5 meters (11.5 feet) long, offering flexibility in placement.



**Image 1:** Tonton 16AWG 12V/24V DC Power Cord. This image displays the coiled orange power cord, featuring a male cigarette lighter plug on one end and a 2-prong connector on the other. Two spare fuses are also shown.

### Key Features:

- **Length:** 3.5 meters (11.5 feet)
- **Wire Gauge:** 16 AWG pure copper wire
- **Voltage Compatibility:** 12V and 24V DC
- **Connectors:** Male cigarette lighter plug to 2-prong connector
- **Safety:** Built-in 15A fuse and insulating silicone ring
- **Durability:** Bakelite plug, high-quality ABS material socket, PVC insulation jacket, waterproof, flame retardant, corrosion resistant.



**Image 2:** High-Quality Wire Material. This diagram illustrates the internal structure of the cable, highlighting the 16 AWG pure copper wire conductors and the PVC insulation jacket, emphasizing material quality.

## COMPATIBILITY

This power cord is designed for wide compatibility with various portable car refrigerators and freezers that utilize a 12V/24V DC power input via a 2-prong connector. It is suitable for models from the following brands:

- Alpicool
- Bodega
- Euhomy
- BougeRV
- ARB
- Dometic (e.g., CFX-28, CFX-35, CFX-40, CFX-50, CFX-65, CFX-75, CFX-95, CF-25, CF-35, CF-40, CF-50, CF-50dz, CF-60, CDF-11, CDF-35, CDF-36 compressor cool box, Dometic CFX3)
- ICECO (e.g., GO20 JP30)
- Setpower (e.g., AJ30)
- JoyTutus
- Magira Canada (e.g., MF42-CA, MF52-CA, MF62-CA)
- AstroAI
- Wagan (e.g., EL6206, EL6224, EL6214)
- AUTOOMMO
- F40C4TMP
- Kohree
- Newair 48 Qt.
- Domende 54qt
- AAOBOSI
- Alpicool (e.g., C9, CF35, C40, K18)
- Aspenora
- Jinsanity
- ZENY
- VBENLEM
- ACOPOWER
- Ivation
- EENOUR Portable Refrigerator Freezer Car Cooler

**Note: This cable is not suitable for mini fridges that do not use the standard 2-prong DC input.**

# Wide Range of Compatible

Compatible with Magira Canada cool box mobile fridge MF42-CA, MF52-CA, MF62-CA for Waeco cool box refrigerators CFX-28; CFX-35, CFX-40, CFX-50, CFX-65, CFX-75, CFX-95, CF-25, CF-35, CF-40, CF-50, CF-50. 50dz, CF-60, CDF-11, CDF-35 CDF-36 compressor cool box.

Compatible with BODEGA, AstroAI, BougeRV, Euhomy, Wagan EL6206 EL6224 EL6214, AUTOOMMO, F40C4TMP, Kohree, ICECO GO20 JP30, Newair 48 Qt., Dometic, Dometic CFX3, Setpower AJ30, Domende 54qt, AAOBOSI, Alpicool C9 CF35 C40 K18, Aspenora, Jinsanity, ZENY, VBENLEM, ACOPOWER, Ivation, EENOUR Portable Refrigerator Freezer Car Cooler



**Image 3:** Wide Compatibility Overview. This image displays several models of portable car refrigerators and highlights the compatible 2-prong power input port, demonstrating the cable's broad applicability.

## SETUP AND CONNECTION

Connecting your Tonton DC Power Cord to your portable car refrigerator and power source is a straightforward

process. Ensure both your refrigerator and power source are compatible with 12V or 24V DC power.

1. **Identify Connectors:** Locate the male cigarette lighter plug on one end of the Tonton power cord and the 2-prong connector on the other.
2. **Connect to Refrigerator:** Insert the 2-prong connector firmly into the corresponding DC input port on your portable car refrigerator.
3. **Connect to Power Source:** Insert the male cigarette lighter plug into a 12V or 24V cigarette lighter socket in your vehicle or a compatible portable power station. The red light on the cigarette lighter plug will illuminate when power is being received, indicating a successful connection.

## Connect Instruction



**Image 4:** Connection Instructions. This visual guide demonstrates the correct way to connect the power cord from a vehicle's cigarette lighter socket to the portable car refrigerator's power input.

# How Can You Run Portable Freezer



**12V Car  
24V Truck**



**Portable  
Power Station**



**Home  
AC/DC Adapter**



**Image 5:** Powering Options for Portable Freezers. This image illustrates various methods to power a portable freezer using the DC power cord, including direct connection to a car's 12V/24V socket, a portable power station, or a home AC/DC adapter (adapter not included).

## OPERATING GUIDELINES

Once connected, ensure your portable refrigerator is functioning correctly. The cable is designed for stable power delivery in various environments.

- The 3.5-meter length allows for flexible placement of your refrigerator, such as in the trunk of a vehicle while still connected to the front power outlet.
- The male cigarette lighter plug features a red indicator light that confirms power is being supplied to the cable.

- This cable is suitable for outdoor usage and can be used in vehicles like RVs, trucks, cars, SUVs, buses, trailers, yachts, and boats.

# Widely Applications



Home



Yacht



Motorhome



Car



Truck



Van

**Image 6:** Wide Range of Applications. This image showcases the versatility of the power cord, illustrating its use in various settings such as picnics, camping, home parties, barbecues, and different types of vehicles including cars, trucks, vans, motorhomes, and yachts.

## SAFETY INFORMATION

- **Fuse Protection:** The cable includes a built-in 15A fuse for overcurrent protection. If the fuse blows, replace it with a fuse of the same rating (15A). Two spare fuses are typically included with the product.

- **Insulation:** The insulating silicone ring and PVC insulation jacket provide protection against electrical hazards. Do not use the cable if the insulation is damaged.
- **Voltage:** Ensure the power source voltage (12V or 24V) matches the requirements of your portable refrigerator.
- **Overheating:** While designed to prevent overheating, avoid coiling the cable tightly during operation or placing it under heavy objects that could impede heat dissipation.
- **Water Exposure:** Although the cable features waterproof material, avoid submerging connectors in water.

## MAINTENANCE AND CARE

- **Cleaning:** Wipe the cable with a dry, soft cloth. Do not use abrasive cleaners or solvents.
- **Storage:** When not in use, coil the cable neatly and secure it with the included hook-and-loop strap. Store in a cool, dry place away from direct sunlight and extreme temperatures.
- **Inspection:** Periodically inspect the cable and connectors for any signs of wear, damage, or corrosion. Replace the cable if any damage is observed.
- **Fuse Replacement:** If the power indicator light on the cigarette lighter plug does not illuminate, the fuse may need replacement. Unscrew the tip of the cigarette lighter plug to access and replace the fuse.

## TROUBLESHOOTING

Problem	Possible Cause	Solution
Refrigerator not receiving power.	<ul style="list-style-type: none"> <li>• Loose connection.</li> <li>• Blown fuse in the cigarette lighter plug.</li> <li>• Faulty vehicle power outlet or power station.</li> <li>• Incompatible refrigerator input.</li> </ul>	<ul style="list-style-type: none"> <li>• Ensure all connections are secure and fully inserted.</li> <li>• Check the red indicator light on the cigarette lighter plug. If off, replace the fuse (refer to Maintenance).</li> <li>• Test the power outlet with another device or try a different outlet/power station.</li> <li>• Verify your refrigerator uses a 2-prong DC input and is 12V/24V compatible.</li> </ul>
Cable or plug feels hot during operation.	<ul style="list-style-type: none"> <li>• Overload on the circuit.</li> <li>• Poor connection causing resistance.</li> <li>• Damaged cable.</li> </ul>	<ul style="list-style-type: none"> <li>• Disconnect immediately. Check the refrigerator's power draw against the cable's 15A rating.</li> <li>• Ensure connections are tight.</li> <li>• Inspect the cable for visible damage. If damaged, discontinue use and replace.</li> </ul>

## SPECIFICATIONS

Feature	Detail
Brand	Tonton
Model Number	CC-CR
Cable Type	DC Power Cord
Wire Gauge	16 AWG Pure Copper
Length	3.5 meters (11.5 feet / 137.8 Inches)
Voltage Rating	12V / 24V DC (Maximum 24 Volts)
Current Rating	15 Amps (Built-in fuse)
Wattage	360 watts
Connector Type	Male-to-Male (Cigarette Lighter Plug to 2-Prong)
Material	Bakelite plug, ABS socket, PVC insulation
Special Features	Portable, Waterproof, Flame Retardant, High Conductivity, Corrosion Resistance
Item Weight	9.5 ounces
Manufacturer	Tonton security (Zhuhai Huirun Supply Chain Co.,Ltd)

# Protected Charging 11.5ft/3.5m Car Charger Cable



Waterproof  
Material



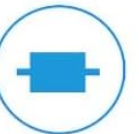
Flame retardant  
material



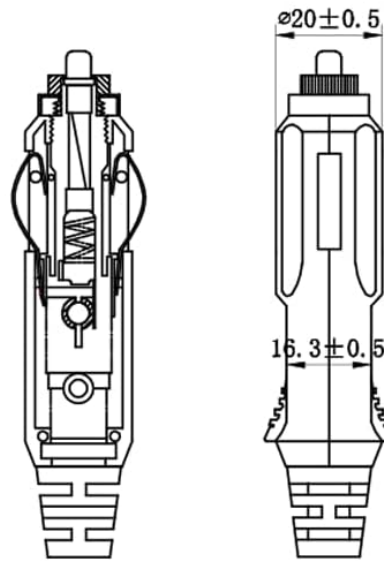
High  
Conductivity



Environmental  
protection



Corrosion  
Resistance



3.5m/11.5ft

**Image 7:** Protected Charging Features. This image provides a technical drawing of the cigarette lighter plug and lists key protective features of the cable, including waterproof material, flame retardant properties, high conductivity, environmental protection, and corrosion resistance.

## WARRANTY AND SUPPORT

For warranty information and customer support, please refer to the contact details provided by the manufacturer. The manufacturer is Zhuhai Huirun Supply Chain Co.,Ltd, operating under the brand Tonton security.

**Manufacturer Contact Information:**

**Manufacturer:** Zhuhai Huirun Supply Chain Co.,Ltd

**Address:** No.6692, Room 105, No.6 Baohua Road, Hengqin New Area, Zhuhai, Guangdong, 519000, CN

**Email:** kontakt@tontonsecurity.com

**EU Representative:**

**Company:** PATAc GmbH

**Address:** Harkortstr 2-6 (Halle A4-A5), 40880 Ratingen, NRW, Germany

**Email:** amazonpatac@gmail.com

For additional support and product information, you may visit the Tonton brand store on Amazon:Tonton Store.

The graphic is enclosed in a black border and contains the following elements:

- EC REP** logo in a box.
- Tonton** logo in red with a registered trademark symbol.
- Text for **PATAc GmbH**: Harkortstr 2-6 (Halle A4-A5), 40880 Ratingen, NRW, Germany. Email: amazonpatac@gmail.com.
- Text for **Manufacturer**: Zhuhai Huirun Supply Chain Co.,Ltd. Address: No.6692, Room 105, No.6 Baohua Road, Hengqin New Area, Zhuhai, Guangdong, 519000, CN. Email: kontakt@tontonsecurity.com.
- \* Made in China \*
- UK CA CE RoHS logo.
- Recycling symbol.
- No incineration symbol.
- Recycling symbol with a person.
- Waste disposal symbol: ER PLASTIQUE + CARTON BAC DE TRI.

**Image 8:** Manufacturer and EU Representative Information. This image provides contact details for the manufacturer, Zhuhai Huirun Supply Chain Co.,Ltd (Tonton security), and their EU representative, PATAc GmbH, including physical addresses and email contacts.