

[Manuals.plus](#) /

> [TAIDU](#) /

> TAIDU Adjustable Tattoo Armrest Stand with Tray - Instruction Manual

## TAIDU B0D9VBH8H3

# TAIDU Adjustable Tattoo Armrest Stand with Tray

Model: B0D9VBH8H3

Instruction Manual

## 1. INTRODUCTION

---

Thank you for choosing the TAIDU Adjustable Tattoo Armrest Stand. This versatile and sturdy stand is designed to provide optimal support and comfort for both artists and clients during tattoo sessions. Its adjustable features allow for precise positioning, making it suitable for various tattoo placements on arms, hands, wrists, legs, and feet. This manual provides detailed instructions for assembly, operation, maintenance, and specifications to ensure safe and effective use of your new equipment.



An overview of the TAIDU Tattoo Armrest Stand, showing its adjustable height (28.3-43.3 inches), armrest cushion dimensions (11.8 x 7.9 inches), and tray dimensions (9.1 x 6.7 inches).

## 2. PRODUCT FEATURES

---

- **Durable Construction:** Composed of high-quality leather panel cushion, metal frames, and a sturdy tripod for

extended use.

- **Enhanced Stability:** Features silicone feet on the base for stable support, a metal tripod design to prevent wobbling, and plastic locking clips to secure metal tubes against sliding.
- **Portable Design:** Includes a metal tray and is designed for easy folding and simple installation, making it flexible and lightweight for tattoo artists on the go.
- **Adjustable Settings:** Offers adjustable height from 28.3 to 43.3 inches, angle adjustable tilt of 90°, and 360° rotation for convenient use in various tattooing scenarios.

### 3. COMPONENTS OVERVIEW

Before assembly, ensure all components are present and undamaged. Refer to the diagram below for identification:



Diagram labeling key components: leather with sponge cushion, gear snap, metal tray, solid and stable base, and rubber foot mats.

- **Armrest Cushion:** Padded surface for client comfort.
- **Main Support Pole:** The central adjustable pole.
- **Tripod Base:** Provides stability for the stand.

- **Adjustment Knobs/Levers:** Used to secure height, tilt, and rotation.
- **Metal Tray:** Attachable tray for holding tattoo supplies.
- **Rubber Foot Mats:** Non-slip covers for the tripod legs.
- **Assembly Hardware:** Screws and wrench (if applicable).

## 4. SETUP AND ASSEMBLY

---

Follow these steps to assemble your TAIDU Tattoo Armrest Stand:

1. **Unfold the Tripod:** Carefully unfold the legs of the tripod base until they are fully extended and stable.
2. **Insert Telescopic Tube:** Insert the main support pole into the tripod base. Tighten the latch or knob to secure it.
3. **Attach Armrest Panel:** Place the armrest cushion panel onto the top of the support pole. Adjust the angle as desired and secure it with the provided adjustment mechanism.
4. **Install the Tray:** Attach the metal tray to the main support pole at a convenient height using its dedicated clamp or attachment point.

For a visual guide, please watch the assembly video:

Your browser does not support the video tag.

Video demonstrating the assembly process of the TAIDU Tattoo Armrest Stand.



01

Unfold the tripod



02

Insert the telescopic tube and tighten the latch



03

Place the panel and adjust the angle



04

Install the Tray

Visual guide showing four steps: unfolding the tripod, inserting the telescopic tube, placing the panel and adjusting the angle, and installing the tray.

## 5. OPERATING INSTRUCTIONS

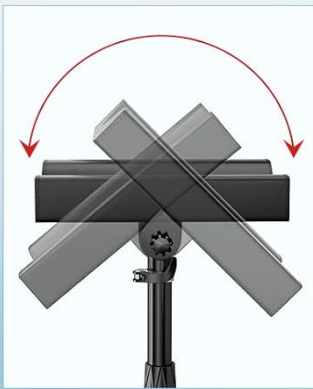
The TAIDU Armrest Stand offers multiple adjustment options for optimal positioning:

- **Height Adjustment:** Loosen the height adjustment knob on the main support pole. Extend or retract the pole to the desired height (28.3-43.3 inches) and tighten the knob securely.
- **Angle and Tilt Adjustment:** The armrest cushion can be tilted up to 90° and rotated 360°. Loosen the corresponding knobs beneath the armrest panel to adjust, then tighten to lock the position.
- **Tray Positioning:** The metal tray can be moved up or down the main support pole. Loosen its clamp, slide to the desired position, and tighten.

Observe the stand in action for various tattoo placements:

Your browser does not support the video tag.

Video demonstrating various uses and adjustments of the TAIDU Tattoo Armrest Stand.



Horizontal Adjustment



Triangular Fixing



Rubber Foot Mats



Height-Adjustable

Illustrates the horizontal adjustment, triangular fixing of the base, rubber foot mats for stability, and height adjustment mechanism.

## 6. MAINTENANCE

- **Cleaning:** Wipe down the leather cushion with a mild disinfectant solution after each use. Clean metal parts with a damp cloth and dry thoroughly to prevent rust.
- **Inspection:** Regularly check all screws, knobs, and moving parts to ensure they are tight and functioning correctly. Tighten any loose components.
- **Storage:** When not in use, fold the stand for compact storage in a dry, clean area to prolong its lifespan.

## 7. TROUBLESHOOTING

- **Stand is Wobbly:** Ensure the tripod legs are fully extended and the base is on a flat, stable surface. Check that all locking clips and knobs are securely tightened.
- **Adjustments are Difficult:** Loosen the adjustment knobs sufficiently before attempting to change height, tilt, or rotation. If still stiff, check for any obstructions or debris.

- **Armrest Panel Slides:** Verify that the angle adjustment knob beneath the armrest is fully tightened after positioning.

## 8. SPECIFICATIONS

---

Feature	Detail
Brand	TAIDU
Model	B0D9VBH8H3
Material	Metal, PU Leather
Color	Black
Adjustable Height	28.3 - 43.3 inches
Tilt Angle	Up to 90°
Rotation	360°
Item Weight	5.89 pounds
Package Dimensions	23.3 x 8.7 x 5.9 inches
Assembly Required	Yes

## 9. WARRANTY AND SUPPORT

---

TAIDU is committed to customer satisfaction. If you have any questions or encounter issues with your tattoo armrest stand, please contact our customer service team. We will endeavor to resolve your concerns promptly and to your satisfaction.

For support, please refer to the contact information provided with your purchase or visit the official TAIDU store on Amazon: [TAIDU Store](#).

