

[Manuals.plus](#) /

> [A ABSOPRO](#) /

> 4 Pin Oxygen Sensor Connector Plug Instruction Manual

A ABSOPRO aopro240706000161eu

4 Pin Oxygen Sensor Connector Plug Instruction Manual

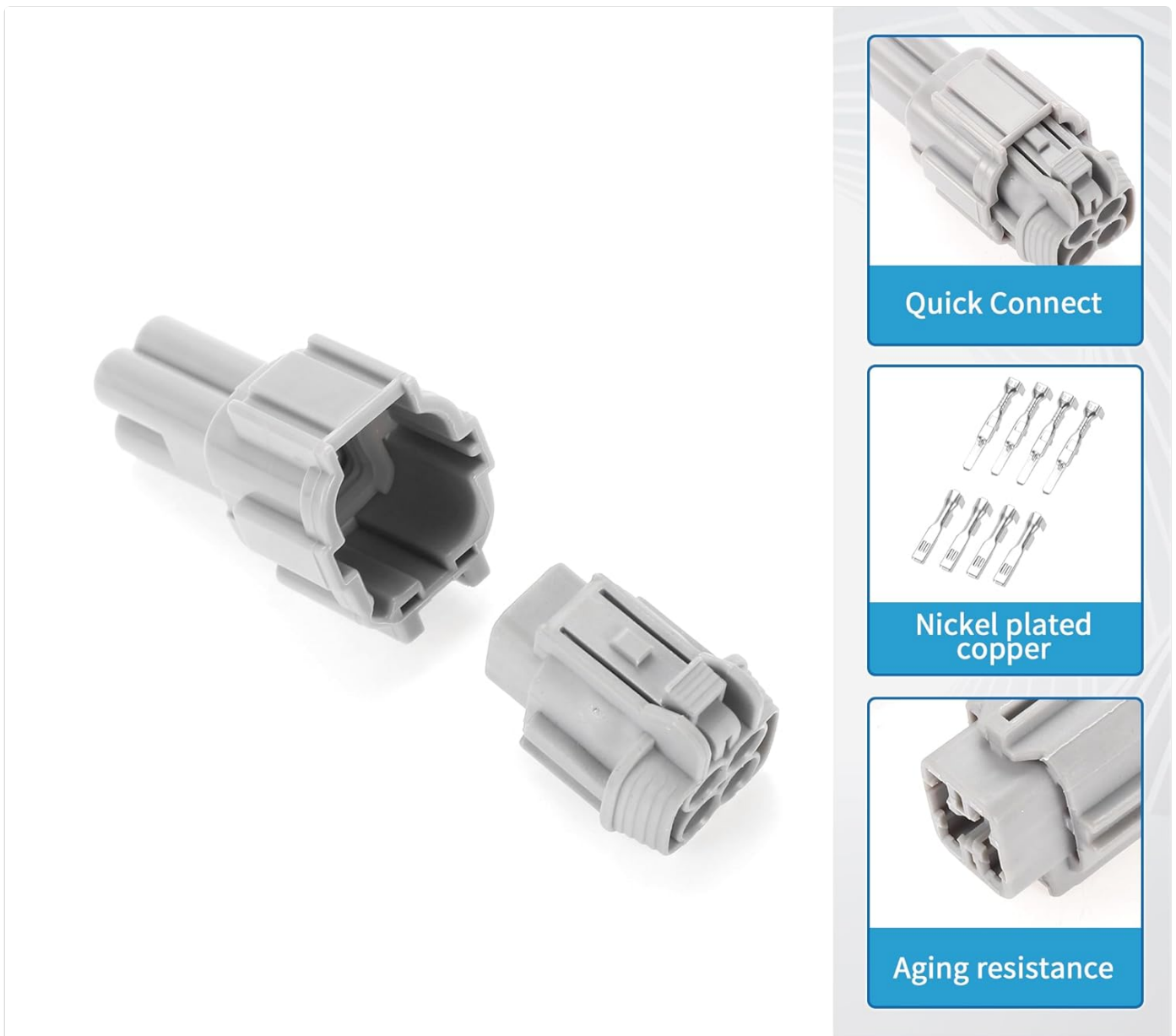
Brand: A ABSOPRO

PRODUCT OVERVIEW

This manual provides detailed instructions for the installation, operation, and maintenance of the 4 Pin Oxygen Sensor Connector Plug. This connector kit is designed to establish reliable electrical connections in automotive systems, particularly for oxygen sensors in Nissan vehicles.

Key features include:

- Designed for Nissan vehicles.
- Ensures waterproof and durable electrical connections.
- Made from plastic and high-precision tin-plated copper for improved conductivity.
- Easy to install via soldering and crimping.
- Provides a reliable and secure connection.



FEATURES

Figure 1: Key features of the 4 Pin Oxygen Sensor Connector Plug, highlighting quick connect design, nickel-plated copper terminals for superior conductivity, and resistance to aging for long-term durability.

PACKAGE CONTENTS AND SETUP

Before beginning installation, ensure all components are present and undamaged. The package includes the following items:

- 1 Pcs Male Connector Housing
- 1 Pcs Female Connector Housing
- 4 Pcs Female Terminals
- 4 Pcs Male Terminals
- 8 Pcs Cable Seals

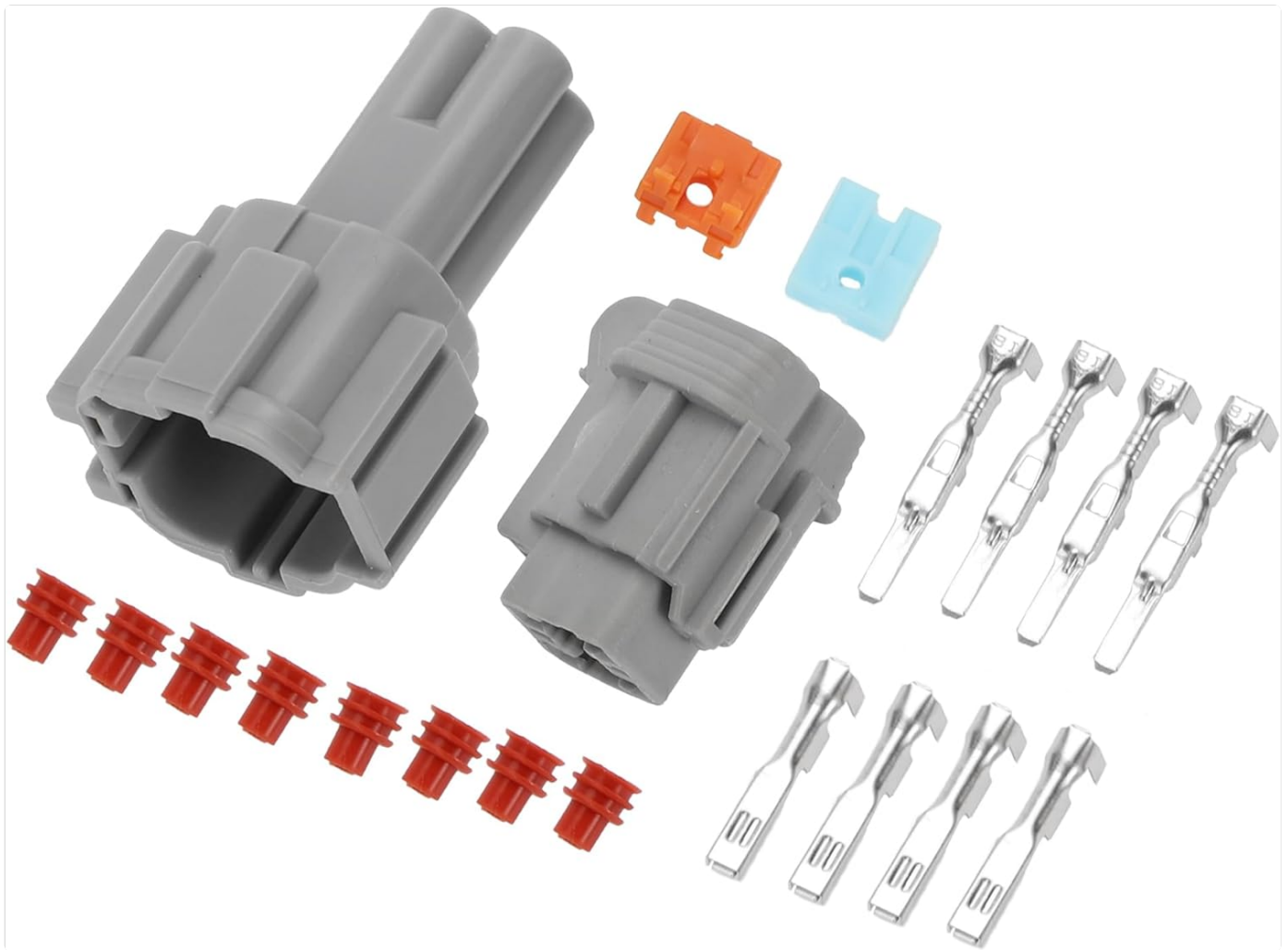


Figure 2: Complete set of components for the oxygen sensor connector, showing the male and female housings, individual terminals, and cable seals.



— FEATURES —

Figure 3: The connector components shown in hand, providing a sense of scale for the individual parts.

Preparation:

1. Verify that the connector is suitable for your specific Nissan vehicle model.
2. Gather necessary tools for soldering and crimping.
3. Ensure the vehicle's electrical system is de-energized before starting work.

INSTALLATION AND OPERATION

The connector is designed for straightforward installation to link electrical systems, lighting systems, and other applications requiring robust, waterproof electrical connections.

1. Carefully strip the wires to the appropriate length for the terminals.
2. Crimp or solder the male and female terminals onto the respective wires. Ensure a secure connection for optimal conductivity.
3. Insert the crimped/soldered terminals into the correct positions within the male and female connector housings until they click into place.

4. Slide the cable seals onto the wires before inserting them into the housing to ensure waterproof integrity.
5. Connect the male and female connector housings by aligning them and pushing firmly until they lock together. A distinct click indicates a secure connection.

Easy to connect and disconnect



— FEATURES —

Figure 4: Visual guide on how to securely connect the male and female components of the oxygen sensor plug.

OXYGEN SENSOR CONNECTOR PLUG

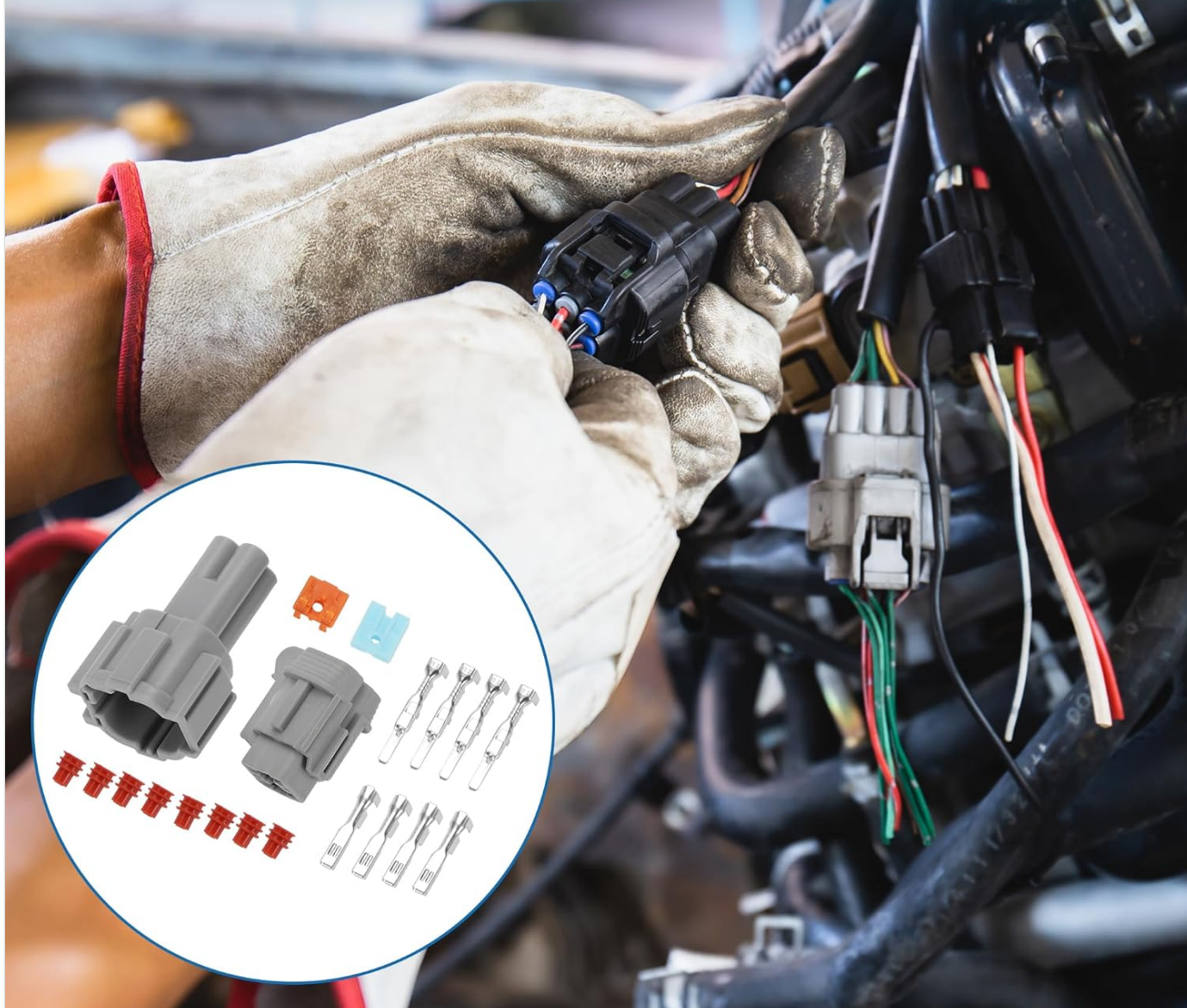


Figure 5: The connector being installed in an automotive engine bay, illustrating its practical application.

Once installed, the connector provides high electrical conductivity and oxidation resistance, ensuring reliable performance in various environmental conditions. Its waterproof and dustproof design contributes to the longevity and safety of the electrical connection.



Figure 6: The connector plug highlighted against a water-splashed surface, illustrating its waterproof design.

MAINTENANCE

The 4 Pin Oxygen Sensor Connector Plug is designed for durability and minimal maintenance. However, adhering to the following guidelines will ensure its optimal performance and longevity:

- **Environmental Exposure:** While the connector is waterproof and dustproof, it is **not recommended for direct submersion in water**. Avoid prolonged exposure to standing water or extreme moisture conditions beyond typical automotive environments.
- **Periodic Inspection:** Periodically inspect the connection for any signs of wear, corrosion, or looseness. Ensure the cable seals remain intact and properly seated.
- **Cleaning:** If necessary, clean the exterior of the connector with a dry, lint-free cloth. Avoid using harsh chemicals or abrasive materials that could damage the plastic housing or seals.
- **Secure Connection:** Ensure the connection remains firm and does not become loose over time due to vibrations or movement. A loose connection can lead to intermittent electrical issues.

TROUBLESHOOTING

If you encounter issues with the 4 Pin Oxygen Sensor Connector Plug, consider the following troubleshooting steps:

- **No Electrical Connection:**
 - Verify that the terminals are correctly crimped or soldered to the wires and fully inserted into the connector housings.
 - Ensure the male and female connector housings are fully engaged and locked.
 - Check for any damaged wires or terminals.
- **Loose Connection:**
 - Confirm that the connector housings are securely latched.
 - Inspect the terminals for proper retention within the housing.
- **Water Ingress:**
 - Ensure all 8 cable seals are properly installed around the wires and seated correctly within the housing.
 - Verify that the connector is not submerged in water, as it is designed for splash and dust resistance, not full submersion.
- **Compatibility Issues:**
 - Double-check that this specific connector model is compatible with your Nissan vehicle's oxygen sensor system. Refer to your vehicle's service manual or consult a qualified mechanic if unsure.

If problems persist after attempting these steps, it is recommended to consult a professional automotive technician.

SPECIFICATIONS

Attribute	Detail
Product Name	4 Pin Oxygen Sensor Connector Plug
Model Number	aopro240706000161eu
Brand	A ABSOPRO
Number of Pins	4 Pin
Material	Plastic, Tin-Plated Copper
Color	Gray
Maximum Voltage Rating	Approx. 14V
Maximum Current Rating	1.5A ~ 10A
Compatibility	For Nissan vehicles
Item Weight	0.352 ounces
Package Dimensions	3.46 x 2.48 x 0.94 inches

WARRANTY AND SUPPORT

For any questions regarding the 4 Pin Oxygen Sensor Connector Plug, or for technical assistance, please contact A ABSOPRO customer support. While specific warranty details are not provided in this manual, standard return and replacement policies apply as per the point of purchase.

Please refer to the seller's return policy for details on refunds and replacements. For general inquiries, you may visit the [ABSOPRO Store on Amazon](#).

© 2024 A ABSOPRO. All rights reserved.
Model: aopro240706000161eu