



[Manuals.plus](#) /

> [MCAMPAS](#) /

> MCAMPAS 69848 Spirit Igniter Module and 69794 Electrode Installation Manual for Weber Spirit 210 & 310 Series Grills (2013 & Newer)

MCAMPAS 69848 & 69794 Igniter Electrode

MCAMPAS 69848 Spirit Igniter Module and 69794 Electrode Installation Manual

For Weber Spirit 210 & 310 Series Grills (2013 & Newer)

[Contents](#) [Introduction](#) [Safety Information](#) [Compatibility](#) [Package](#)
[Installation](#) [Operation](#) [Maintenance](#) [Troubleshooting](#) [Specifications](#) [Support](#)

1. INTRODUCTION

This manual provides detailed instructions for the installation, operation, and maintenance of your MCAMPAS 69848 Spirit Igniter Module and 69794 Igniter Electrode. This replacement kit is designed to restore reliable ignition to compatible Weber Spirit 210 and 310 Series Grills manufactured in 2013 and newer. Please read this manual thoroughly before proceeding with installation to ensure safe and correct usage.

2. SAFETY INFORMATION

WARNING: Always disconnect the grill from its gas supply and ensure it is completely cool before attempting any installation or maintenance. Failure to do so can result in serious injury or property damage.

- Ensure the grill is turned off and the gas tank valve is closed.
- Allow the grill to cool completely before handling any components.
- Wear appropriate safety gear, such as gloves, to protect your hands.
- Keep children and pets away from the work area.
- If you are unsure about any step, consult a qualified technician.

3. COMPATIBILITY

This MCAMPAS igniter kit is a replacement for Weber original part numbers 69848 (Igniter Module) and 69794 (Igniter Electrode). It is compatible with the following Weber Spirit Series Grills manufactured in 2013 and newer, specifically those with **front-mounted control knobs**:

- Weber Spirit E-210, E-215

- Weber Spirit E-310, E-310 Original, E-315
- Weber Spirit S-210, S-315
- Weber Spirit EX-315 Smart Grill, EX-325S Smart Grill
- Weber Spirit SX-315 Smart Grill
- Weber Spirit Silver E-310
- Weber Spirit SP-310
- Genesis Spirit E-310, Genesis Spirit S-210

Important: This kit is designed for grills with front-mounted control knobs. Please verify your grill model and control knob configuration before installation.

Fits



✓ Spirit 210



✓ Spirit 310



Figure 3.1: Compatible Weber Spirit 210 and 310 Series Grills with front-mounted control knobs. The image shows two grill models, Spirit 210 and Spirit 310, both featuring control knobs located on the front panel, indicating compatibility. A green checkmark confirms this configuration, while a red cross indicates incompatibility with side-mounted controls.

4. PACKAGE CONTENTS

Please inspect the package contents upon receipt. The kit should include:

- 1 x MCAMPAS 69848 Spirit Igniter Module (does not include AA battery)
- 1 x MCAMPAS 69794 Spirit Igniter Electrode with wire (approximately 20 inches in length)
- 2 x Mounting Screws



Figure 4.1: Complete MCAMPAS igniter kit, including the black igniter module, the white igniter electrode with attached wire, and two mounting screws. The module features a battery cap and connection ports.



Figure 4.2: Close-up view of the MCAMPAS 69848 Spirit Igniter Module. This black plastic module features a cylindrical battery compartment with a screw-on cap, two electrical connection ports (one yellow, one black), and mounting tabs.

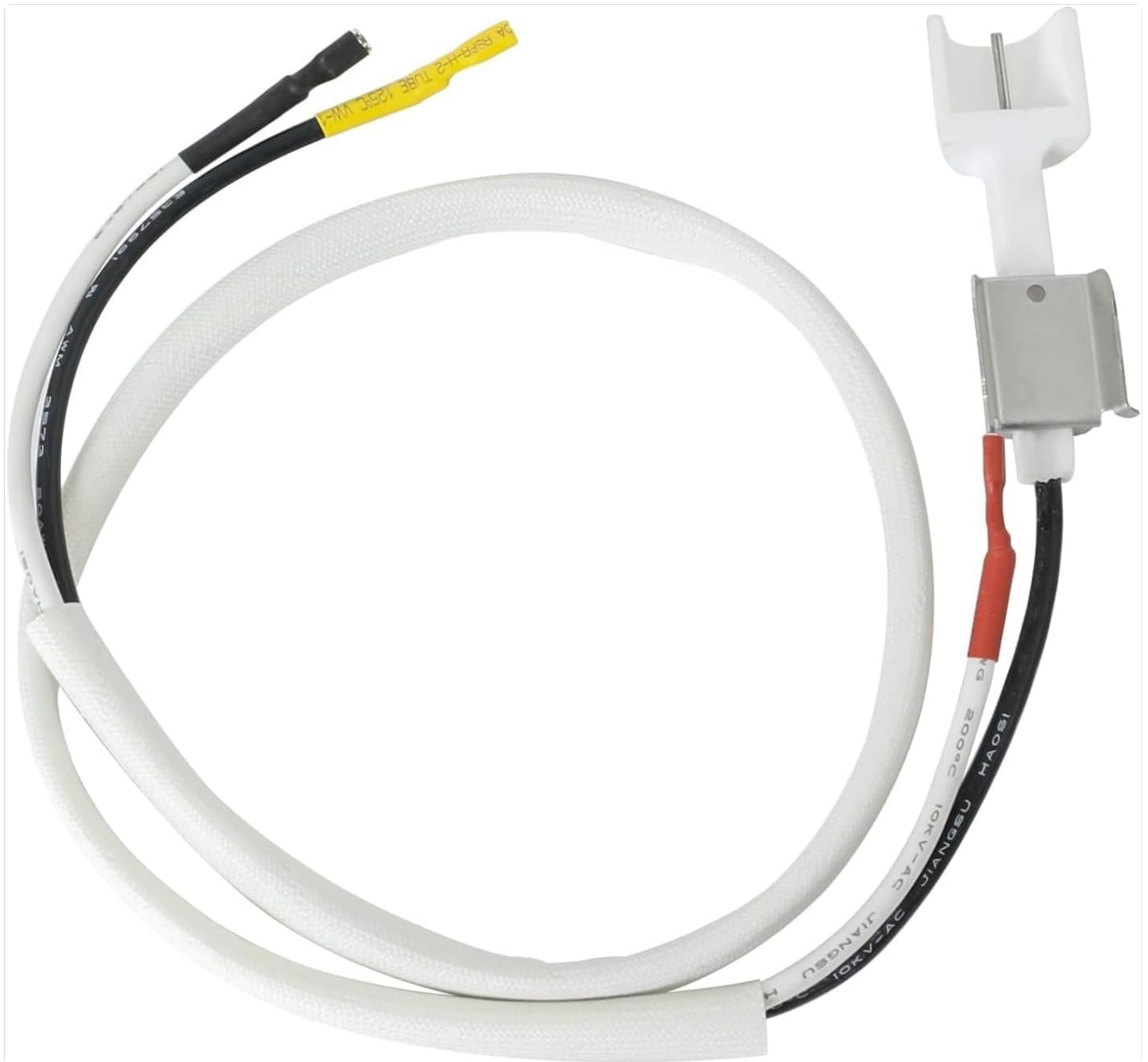


Figure 4.3: Close-up view of the MCAMPAS 69794 Spirit Igniter Electrode. This component consists of a white ceramic insulator, a metal electrode tip, and an attached wire with a connector, designed to produce a spark for ignition.

5. INSTALLATION INSTRUCTIONS

Follow these steps carefully to replace your grill's igniter module and electrode.

1. **Prepare the Grill:** Ensure your grill is completely cool and disconnected from the gas supply. Close the gas tank valve.
2. **Access the Igniter Module:** Locate the igniter module, typically found inside the grill cabinet, often mounted on the side panel. You may need to remove a side panel or access door to reach it.



Figure 5.1: View of a Weber Spirit grill with the side panel removed, revealing the internal components. The igniter module is visible, typically mounted on the inside wall of the cabinet, near the control panel area.

3. **Remove Old Module:** Disconnect all wires from the old igniter module. Unscrew any mounting screws holding the module in place and carefully remove it.
4. **Remove Old Electrode:** Trace the electrode wire from the module to the burner box. Carefully remove the old electrode from its mounting point near the burner.

5. **Install New Electrode:** Insert the new MCAMPAS 69794 Igniter Electrode into the designated opening near the burner. Ensure it is securely seated and positioned correctly to spark towards the burner.
6. **Install New Module:** Mount the new MCAMPAS 69848 Igniter Module in the same location as the old one using the provided screws.



Figure 5.2: The MCAMPAS igniter module securely installed inside the grill cabinet. The module is attached to the inner wall, and its wires are connected, demonstrating a proper installation.

7. **Connect Wires:** Connect the wire from the new electrode to the corresponding port on the new igniter module. Ensure all connections are firm.
8. **Insert Battery:** Unscrew the cap on the igniter module and insert one AA battery (not included), ensuring correct polarity (+/-). Replace the cap securely.
9. **Test Ignition:** Reconnect the gas supply and open the gas tank valve. Turn a burner control knob to the "High" position and press the igniter button. You should hear a clicking sound and see a spark at the electrode, followed by the burner igniting.
10. **Reassemble Grill:** Once confirmed working, reattach any removed panels or access doors.

Note on Dimensions: The igniter module measures approximately 3.7 x 2.87 x 2.5 inches, and the electrode wire is about 20 inches long. These dimensions are provided for reference during installation.

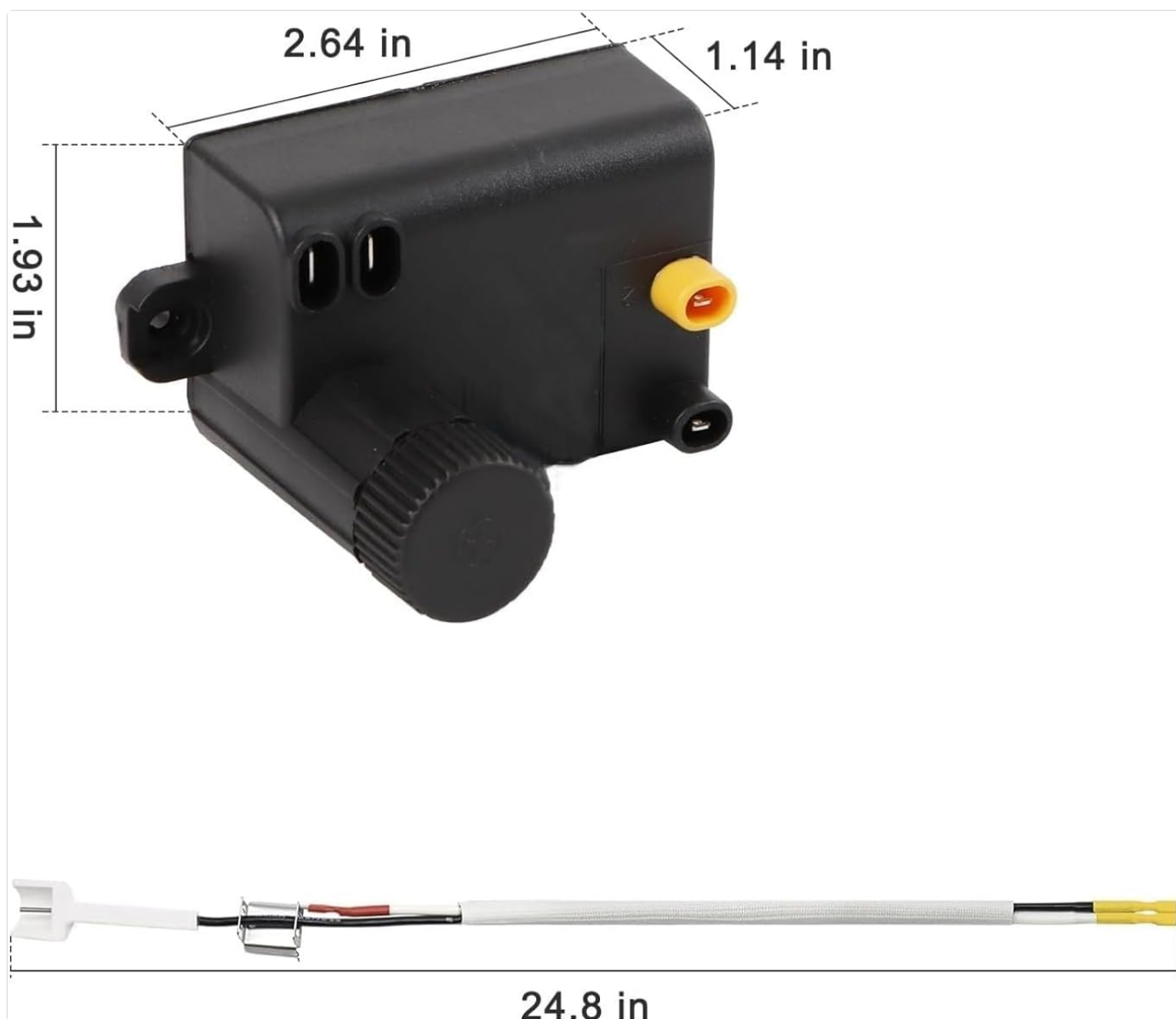


Figure 5.3: Diagram illustrating the dimensions of the igniter module and the length of the electrode wire. The module is approximately 2.64 inches wide, 1.14 inches deep, and 1.93 inches high. The electrode wire measures approximately 24.8 inches in total length.

6. OPERATION

To ignite your grill burners after installation:

1. Ensure the gas tank valve is open.
2. Turn the control knob of the desired burner to the "High" position.

3. Press and hold the igniter button on your grill's control panel. You should hear a rapid clicking sound, and the burner should ignite within a few seconds.
4. Once the burner is lit, release the igniter button.
5. If the burner does not light, turn off the gas to that burner, wait a few minutes, and repeat the process. If it still fails, refer to the Troubleshooting section.

7. MAINTENANCE

Proper maintenance ensures the longevity and reliable performance of your igniter kit:

- **Battery Replacement:** If the igniter produces a weak spark or no spark, replace the AA battery in the igniter module.
- **Electrode Cleaning:** Periodically inspect the igniter electrode for grease buildup or corrosion. Gently clean the ceramic and metal tip with a soft brush or cloth to ensure a clear path for the spark.
- **Wire Inspection:** Check the igniter wires for any signs of damage, fraying, or loose connections. Ensure they are securely connected to both the module and the electrode.
- **Module Protection:** The igniter module is designed to be corrosion-proof and leak-proof, contributing to its durability. However, avoid direct exposure to excessive moisture or extreme temperatures where possible.



Figure 7.1: Visual representation of the igniter module's key features: corrosion-proof, leak-proof, and designed for safety and durability. These icons highlight the robust construction of the component.

8. TROUBLESHOOTING

Problem	Possible Cause	Solution
No spark when igniter button is pressed.	Dead or incorrectly installed AA battery. Loose wire connections. Faulty igniter module.	Replace AA battery, ensuring correct polarity. Check all wire connections to the module and electrode. If issues persist, the module may need replacement.
Weak or inconsistent spark.	Low battery. Dirty electrode tip. Incorrect electrode gap.	Replace AA battery. Clean the electrode tip. Ensure the electrode is positioned correctly near the burner.

Problem	Possible Cause	Solution
Burner does not light, but spark is present.	No gas flow to the burner. Clogged burner ports.	Check if the gas tank valve is open and there is gas in the tank. Ensure burner control knob is fully open. Clean burner ports if necessary (refer to your grill's main manual).

9. SPECIFICATIONS

- **Product Name:** MCAMPAS 69848 Spirit Igniter Module with 69794 Spirit Igniter Electrode
- **Compatible Models:** Weber Spirit 210 & 310 Series Grills (2013 & Newer, with front-mounted control knobs)
- **Replacement for Weber Part Numbers:** 69848 (Module), 69794 (Electrode)
- **Power Source:** 1 x AA Battery (not included)
- **Igniter Module Dimensions:** Approximately 3.7 x 2.87 x 2.5 inches (9.4 x 7.3 x 6.35 cm)
- **Item Weight:** 6.4 ounces (181 grams)
- **Electrode Wire Length:** Approximately 20 inches (50.8 cm)
- **Manufacturer:** Tshang (for MCAMPAS)

10. CUSTOMER SUPPORT

For further assistance or inquiries regarding your MCAMPAS igniter kit, please contact MCAMPAS customer support through the retailer where the product was purchased. Please have your product model number and purchase details ready.

While this product is designed for durability and reliability, specific warranty details should be confirmed with your point of purchase.

