



[Manuals.plus](#) /

> [INNOREL](#) /

> INNOREL P324C Carbon Fiber Tripod User Manual

## INNOREL P324C

# INNOREL P324C Carbon Fiber Tripod User Manual

Model: P324C

## 1. INTRODUCTION

---

Thank you for choosing the INNOREL P324C Carbon Fiber Tripod. This professional-grade tripod is engineered for stability and versatility, featuring 10-layer carbon fiber legs, a 360° rotating ball head, and an Arca Swiss dovetail mount. Designed for photographers and outdoor enthusiasts, it supports a maximum load of 55lb/25kg and offers a maximum tube diameter of 32.5mm for enhanced stability. This manual provides detailed instructions for setup, operation, maintenance, and troubleshooting to ensure optimal performance and longevity of your tripod.



# SPECIFICATIONS

360° Embedded Ballhead

3 Adjustable Angles

32.5mm Large Tube

10x Carbon Fiber



Brand	INNOREL
Model	P324C
Material	carbon fiber (tube) aluminum alloy (body)
Max load	55.1lb/25kg
Net weight	4.2lb/1.9kg
Max height	65.6in/166.5cm
Folded length	24.2in/61.5cm
Sections	4
Tube Dia.	32.5/29.0/25.6/22.2mm

Figure 1.1: The INNOREL P324C Carbon Fiber Tripod with a camera and lens attached, showcasing its robust design.

## 2. PACKAGE CONTENTS

Please verify that all items listed below are included in your package. If any items are missing or damaged, please contact customer support.

- P324C Tripod x 1
- Extra Quick Release Plate x 1
- Tripod Bag x 1
- Allen Key x 3
- Stainless Steel Spike x 3

# PACKING LIST

- |                              |                                  |
|------------------------------|----------------------------------|
| 1. Main Body x 1             | 2. Extra Quick Release Plate x 1 |
| 3. Tripod Bag x 1            | 4. Allen Key x 3                 |
| 5. Stainless Steel Spike x 3 |                                  |



Figure 2.1: Visual representation of all items included in the INNOREL P324C tripod package.

## 3. SPECIFICATIONS

Below are the key technical specifications for the INNOREL P324C Carbon Fiber Tripod:

Feature	Specification
Model	P324C
Material	10-layer Carbon Fiber (legs), Aluminum Alloy (body)
Max Load Capacity	55 lb / 25 kg
Net Weight	4.2 lb / 1.9 kg
Max Height	65.6 in / 166.5 cm

Feature	Specification
Min Height	6.9 in / 17.5 cm
Folded Length	24.2 in / 61.5 cm
Leg Sections	4
Max Leg Tube Diameter	32.5 mm
Ball Head Diameter	1.73 in / 44 mm
Ball Head Tilt Angle	±45 degrees
Quick Release Plate	Arca Swiss compatible



Figure 3.1: Overview of the INNOREL P324C tripod's key specifications and features.



# TUBE DETAILS



10 layers carbon fiber tubes



One-piece gasket, anti falling



Hole on long spike for fastening



Figure 3.2: Illustration of the 10-layer carbon fiber tube construction and leg diameter measurements.

## 4. SETUP

### 4.1. Extending and Adjusting Legs

1. **Unlock Leg Sections:** Rotate the twist locks on each leg counter-clockwise to loosen the leg sections.
2. **Extend Legs:** Pull out the leg sections to the desired length. The tripod features 4 sections for flexible height adjustment.
3. **Lock Leg Sections:** Rotate the twist locks clockwise to securely fasten the leg sections. Ensure all sections are firmly locked before mounting equipment.
4. **Adjust Leg Angles:** Press the angle adjustment button at the top of each leg to change the leg angle. The tripod offers three adjustable angles: 21°, 60°, and 82° for various shooting conditions and stability requirements.



## Quick angle adjustment button

the tripod angle safety clasp opens with a simple pull, safe and convenient

## Three adjustable angles of use

adjustable locking at 21°, 60°, 82°

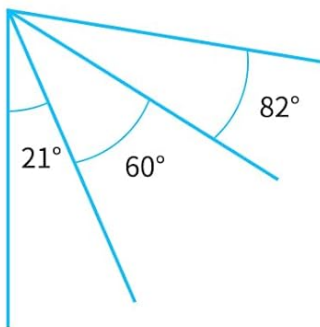


Figure 4.1: The quick angle adjustment button and the three available leg angles (21°, 60°, 82°).

# WORKING HEIGHT

- ✓ Three Angles Adjustable (8°/30°/69°)
- ✓ Low Position: 8°-->17.5cm/6.9in
- ✓ Middle Position: 30°-->38.0cm/15.0in
- ✓ High Position: 69°-->58.0cm/22.8in



Figure 4.2: Examples of the tripod's working height at low (6.9in/17.5cm), middle (15.0in/38.0cm), and high (22.8in/58.0cm) positions, and fully extended (65.6in/166.5cm).

## 4.2. Interchangeable Feet

The P324C tripod comes with interchangeable rubber feet and stainless steel spikes, allowing you to adapt to different terrains.

1. **Remove Rubber Feet:** Unscrew the existing rubber feet by rotating them counter-clockwise.
2. **Install Spikes:** Screw in the stainless steel spikes clockwise until secure. Use the provided Allen key to tighten if necessary.
3. **Reinstall Rubber Feet:** For indoor or delicate surfaces, screw the rubber feet back on.



Figure 4.3: Demonstrates how to install the stainless steel spikes for enhanced grip on soft or uneven ground.

## 5. OPERATING INSTRUCTIONS

---

### 5.1. Mounting Equipment with Arca Swiss System

The tripod's quick release plate is compatible with the Arca Swiss dovetail system, ensuring secure and fast attachment of your camera or other equipment.

1. **Attach Quick Release Plate:** Secure the quick release plate to the bottom of your camera or lens collar using the 1/4" or 3/8" screw.
2. **Open Clamp:** Rotate the quick adjustment locking knob on the ball head's clamp counter-clockwise to open the clamp.
3. **Insert Plate:** Slide the quick release plate (with your equipment attached) into the clamp. The unique safety stop function prevents accidental drops.
4. **Secure Clamp:** Rotate the quick adjustment locking knob clockwise to tighten the clamp and secure your equipment. Ensure it is firmly attached before use.

# ARCA STANDARD Q.R. PLATE

Quick locking system adds a unique safety stop feature and the connection module can be quickly released via side switching devices



Quick adjustment locking knob



Figure 5.1: The Arca Swiss standard quick release plate and the quick adjustment locking knob on the ball head.

## 5.2. Using the 360° Rotating Ball Head

The integrated 44mm ball head provides smooth and precise adjustments for your camera's position.

1. **Unlock Ball Head:** Rotate the main locking knob on the ball head counter-clockwise to loosen the ball.
2. **Adjust Angle:** Tilt and pan your camera to the desired angle. The ball head allows for  $\pm 45$  degrees of tilting and 360 degrees of panoramic rotation.
3. **Lock Ball Head:** Rotate the main locking knob clockwise to secure the ball head in position.
4. **Panoramic Rotation:** To rotate the camera horizontally without affecting the tilt, loosen the separate panoramic base lock knob (usually located at the base of the ball head clamp) and rotate the clamp, then tighten.

## 44mm ball with $\pm 45^\circ$ tilting angle

clamp base rotates 360 with a quick locking mechanism that unlocks the knob and adjusts the desired angle



Figure 5.2: The 44mm ball head demonstrating its 360° rotation and  $\pm 45^\circ$  tilting capabilities.

### 5.3. Using the Load-Bearing Hook

For added stability, especially in windy conditions or when using heavy equipment, you can hang a counterweight (e.g., a camera bag) from the load-bearing hook located at the bottom of the center column.



Figure 5.3: A camera bag attached to the load-bearing hook for increased stability.

## 6. MAINTENANCE

---

Proper maintenance will extend the life and performance of your INNOREL P324C tripod.

- **Cleaning:** After use, especially in dusty, sandy, or wet environments, wipe down the tripod with a clean, damp cloth. For carbon fiber legs, avoid harsh chemicals that could damage the finish.
- **Lubrication:** Periodically check the twist locks and ball head for smooth operation. If they feel stiff, apply a small amount of silicone-based lubricant to the moving parts. Avoid over-lubricating.
- **Inspection:** Regularly inspect all screws, bolts, and connections for tightness. Use the provided Allen keys to tighten any loose components.
- **Storage:** Store the tripod in its protective bag in a dry, cool place away from direct sunlight and extreme temperatures.

## 7. TROUBLESHOOTING

---

If you encounter issues with your tripod, refer to the following common problems and solutions:

- **Legs not locking securely:**  
Ensure the twist locks are fully tightened clockwise. Clean any dirt or debris from inside the leg sections that might prevent proper locking.
- **Ball head movement is stiff or loose:**  
Adjust the main locking knob on the ball head. If stiff, a small amount of silicone lubricant may be applied. If it remains loose after tightening, ensure no debris is obstructing the mechanism.
- **Tripod unstable:**  
Ensure all leg sections are fully extended and locked. Verify that the leg angles are set appropriately for the terrain. Use the load-bearing hook with a counterweight for added stability. Check that the quick release plate is securely fastened to both the camera and the ball head.
- **Quick release plate difficult to insert/remove:**  
Ensure the quick adjustment locking knob is fully loosened. Check for any obstructions in the clamp or on the plate.

If these steps do not resolve your issue, please contact INNOREL customer support.

## 8. WARRANTY AND SUPPORT

---

The INNOREL P324C Carbon Fiber Tripod comes with a **2-year warranty service** from the date of purchase. This warranty covers manufacturing defects and workmanship under normal use.

For warranty claims, technical support, or any inquiries regarding your product, please contact INNOREL customer support

through the retailer's platform or the official INNOREL website. Please have your purchase receipt and product model number (P324C) ready when contacting support.

© 2026 INNOREL. All rights reserved.